

Glastender®

A Family Company
Manufacturing in the USA



Expect more
more flexibility
more features

2020
Product Directory & Price List
Prices effective January 1, 2020

GLASSWASHERS • COCKTAIL STATIONS • COOLERS • FROSTERS • BEER SYSTEMS

Terms and Conditions

PRICES:

All prices are LIST. Applicable taxes will be added.

QUOTATIONS:

Unless otherwise stated, quotations are effective for 30 days only.

ACCEPTANCE:

All orders are subject to acceptance by Glastender, Inc.'s headquarters in Saginaw, Michigan. Possession of the Product Directory and Price List is not an offer to sell.

SHIPMENTS:

F.O.B. factory in Saginaw, Michigan. Freight terms are Third Party or Collect if shipped directly to you. Prepay and Add to Invoice freight terms are available upon request. The approximate shipping weights of all products are listed with the prices. Partial shipments will be made unless otherwise specified by the customer. Surface freight classifications are:

- GT-24/GT-30/GW24 Glasswashers - Class 175
- GT-18 Glasswashers - Class 250
- All Underbar Equipment - Class 175
- Bar Die Orders – Class 250
- Portable Bars - Class 175
- Remote refrigerators (i.e., no compressor) or dry storage back bar equipment - Class 175
- Self-contained refrigeration equipment - Class 150
- Ice Display Units (IDU and GDU) - Class 85
- Lighted Liquor Displays - Class 85
- Beer line chillers and beer towers (beverage dispensing equipment) - Class 92.5
- Bottle Disintegration System - Class 150
- Ice Cream Freezers - Class 77.5

All small items are evaluated to see the most cost effective means for shipment. Many small items ship via UPS or FedEx; however, when dimensional weight is excessive, LTL carriers are the most cost effective choice. Spare parts orders received before 1:00 PM EST can usually be shipped the same day.

The order department is happy to assist with routing or shipping questions.

PAYMENT TERMS:

Cash should be included with all orders unless credit terms have been arranged. To establish credit, banking and trade references are required. A convenient credit application is available upon request. Payment via credit card is not our normal means of receiving payment. Visa and MasterCard will be accepted, but must be charged at the time of shipment. In addition, a payment via credit card for orders totaling more than \$500 will incur a 3% convenience fee on the total transaction amount.

DELIVERY:

The majority of equipment is manufactured to order and typically ships within three to six weeks after complete order information is received by the factory. In-stock equipment typically ships within two to three days of the factory receiving complete order information.

RETURNS:

Items specified as "Manufactured to Order" are NOT returnable.

A Return Authorization number must be issued by the factory in advance for any items that are returnable. The number MUST be noted on the outside of the returned package. Returns must be received within 90 days of the issue date. Shipping charges must be prepaid. A minimum 20% restocking charge will be applied to all authorized returns if received in new, unused condition in the original packaging.

The above conditions apply to spare part returns, except spare part returns must be received within 30 days of original shipment for electronic or electrical parts or within 90 days for all other parts.

LOSS OR DAMAGE:

For customer routed shipments, Glastender, Inc. is not responsible for any loss, damage, or delay of merchandise during shipment. Such transit claims must be filed with the carrier. Merchandise must be examined on arrival. If shortages occur, Glastender, Inc. must be notified in writing within five (5) days of delivery to honor any shortage claim. Glastender will assume responsibility for freight claims on Prepay and Add shipments but the customer must inspect freight and note any damage upon receipt. Failure to do so may result in losses at the customer's expense.

CUSTOM ORDERS:

Custom orders must be paid in advance and are not subject to cancellation.

LAMINATES:

Some products include common, readily available plastic laminates of the customer's selection. There may be an additional charge if uncommon varieties are ordered.

12/14/17



Table of Contents



Bottle Disintegration System 1 - 2

Glasswashers 3 - 8

- GW24 Rotary Glasswasher • GWS66 Glass Washing Station
- GT-18 Series Rotary Rack Glasswashers • GT-24 and GT-30 Rotary Glasswashers

Cocktail Stations 9 - 16

- Assembly, Disassembly, and Complete Cocktail Stations



Bar Fabrication - Main Line and Choice 17 - 74

- Portable Bars • Ice Bins • Soda Gun Holders • Soda Manifold Housing • Bottle Wells and Racks • Speed Rails
- Blender Stations • Drainboards • Cabinets • Sinks • Mixology Units, Stations, Wells and Drink Rails
- Drink Rails • Rinser Faucets • Liquor Displays • Dry Waste Chutes and Rails • Ice Cream Freezers
- Wait Stations • All-In-One Stations • Tubing Chases • Beer Drainers • Modular Bar Die

Bar Refrigeration 75 - 114

- Bar Profile Coolers • Direct Draw Draft Beverage Towers • Low Profile Coolers • Reach-In Frosters
- Slide Top Coolers • Slide Top Mug Frosters • Ice Display Units • Lighted Liquor Displays
- Dry Storage Cabinets • Back Bar Glass Storage • Back Bar Liquor Displays

Beverage Dispensing 115 - 120

- Beer Line Chillers • Draft Beverage Towers

Kitchen Fabrication and Refrigeration 121 - 135

- Kitchen Cabinets • Wall-Mount Sorting Rack • Kitchen Shelves • Kitchen Sinks • Kitchen Stands
- Kitchen Tables • Hand Sinks • Drop-In Units • Undercounter Coolers • Lettuce Crispers
- Countertop Merchandisers • Wall-Mount Refrigerators • Drop-In Ice Cream Freezers
- Mobile Ice Cream Freezers • Mobile Ice Baths • Specialty Ice Bins • Mobile Ice Bins • Wall Cabinets

Terms and Conditions / General Information Inside front cover

Warranty Inside back cover

Index 136 - 137

Spec Sheets specs.glastender.com

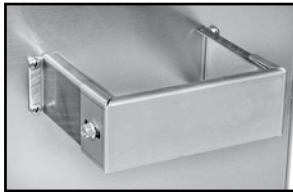
Increase your cash flow by decreasing your trash flow

Glastender's Bottle Disintegration System reduces the volume of glass bottle waste by as much as 85%, lowering your disposal fees and paying for itself over time. The BDS unit is easy to use and crushes a bottle in mere seconds, while being no louder than a standard blender.

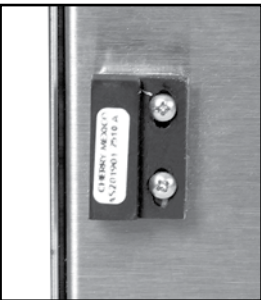
Bottle Disintegration



Multi-level baffle system on feed chute for safe operation and glass containment



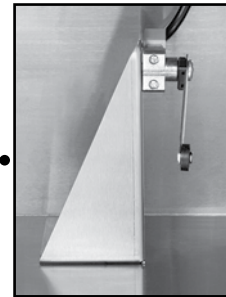
Bucket stop bar ensures bucket is fully seated when door is closed



Closed door safety sensor prevents operation when front door is open



Includes safety interlock switches



Bucket seating safety sensor prevents operation when the bucket is not in place

UP TO
85%
VOLUME
REDUCTION



From this to this

The 4-gallon bucket weighs approximately 43 pounds and holds approximately 4 cases of disintegrated long neck beer bottles when full

PRODUCT INFORMATION

(see BDS Spec Sheet for complete details)

STANDARD FEATURES:

- Reduces volume of glass bottle waste by as much as 85%
- Disintegrates beer, wine, and liquor bottles up to 4" in diameter and 14" in height
- The 4-gallon bucket holds approximately 43 lbs. when full and is accessible for emptying by opening the front door (two buckets included)
- Compact design fits easily under the bar or in a service station
- It takes mere seconds to crush a bottle and is no louder than a standard blender
- Stainless steel interior and exterior resists corrosion and is easy to keep clean
- Includes safety interlock switches to ensure safe operation. The unit shuts down and a red indicator light is illuminated if the front access door is open or the bucket is not in place.
- Multi-level baffle system on feed chute and gasket seal to maximize glass containment
- Green indicator light identifies when unit is running
- Easy operation - simply turn it on and push a bottle down the feed chute
- Includes locking casters so unit can be easily moved for cleaning



BDS

Bottle Disintegration



BDS with door open showing access to bucket

BDS

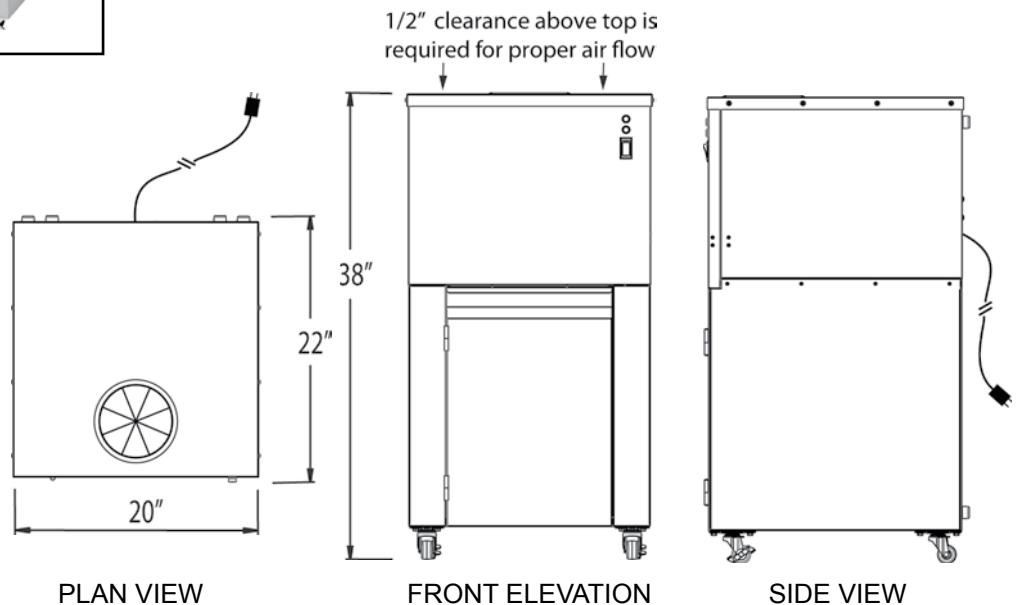
MODEL	LIST	WEIGHT	WIDTH	DEPTH	HEIGHT
BDS	\$5,001	185#	20"	22"	38"

ACCESSORIES

MODEL	DESCRIPTION	LIST	WEIGHT
CE-BDS	Convert to 220V/50Hz or 220V/60Hz electrical	\$467	185#
14000053	Bucket (additional)	\$28	5#



14000053





GW24 shown with chemical bottles (not included)



GW24

STANDARD FEATURES

- Fill and dump style cycle uses less water and energy than traditional rotary glasswashers
- Unit plugs into standard 120V electrical outlet for an easy installation
- Computer controlled fill cycle allows for 75°F (24°C) rinse, providing clean glasses that are cool to the touch
- Specifically designed with a 30" work height to align with adjacent underbar for an attractive installation
- The sliding cover and cold water rinse prevent steam from escaping during and after the cycle
- Unique drainboard top provides integrated glassware landing area
- Exclusive design with side notch provides space for three one-gallon chemical containers within the 24" by 24" foot print
- Conveyor advance switch rotates conveyor one-half turn for easy loading and unloading of glassware
- Covers and drainboard top are easily removable for cleaning access
- Pumped wash and rinse ensures water line pressure variances do not affect wash results
- Pre-programmed de-liming cycle for easy removal of mineral deposits during maintenance (de-liming agent must be added)
- Conveyor and stationary spray box are easily removed for cleaning and visual inspection
- Removable side panels for easy service access
- Automatic peristaltic metering pumps accurately dispense detergent, sanitizer, and rinse aid
- Includes priming switches for easy priming of chemical pumps

PRODUCT INFORMATION

(see GW24 Spec Sheet for complete details)

Electrical

- 120V, single phase, 60Hz, 6-foot grounded cord included
- Dedicated 15 amp circuit recommended
- Power requirements - 3.5 amps

Operation / Capacity

- 120°F (49°C) minimum wash temp and rinse temp adjustable down to 75°F (24°C)
- 2 minute 15 second cycle
- 41 glasses† per cycle
- Maximum glass height 10"

† Based on 2-3/4" diameter bar glasses



GWS66

The GWS66 includes:

- GW24 glasswasher with 01001500 Slide-out Chemical Bottle Rack
- SWB-18-DW wet waste sink cabinet with 03005491 trash receptacle
- DBGR-24-RS drainboard glassrack with roll-out shelves

(see GWS66 Spec Sheet for complete details)

GLASS WASHING STATION

MODEL	LIST	WEIGHT	LENGTH	DEPTH
GWS66	\$14,928	380#	66"	24"

Pricing On Individual Components

See * below for included GWS66 components

24" ROTARY GLASSWASHER

MODEL	LIST	WEIGHT	LENGTH	DEPTH
GW24*	\$9,903	165#	24"	24"

GW24 ACCESSORIES

MODEL	DESCRIPTION	LIST	WGT
01001500*	Slide-out Chemical Bottle Rack	\$516	25#
01001541	Export transformer 220V/50Hz electrical NOTE: Eliminates side notch	\$1,040	30#
CWET-GW	Clip-on wet waste for GW24	\$303	10#
01001601	Rack divider, two-piece assembly	\$181	7#
01001602	Backsplash, clip-on	\$132	5#

18" WET WASTE SINK CABINET W/DRY WASTE CHUTE

MODEL	LIST	WEIGHT	LENGTH	DEPTH
SWB-18-DW*†	\$2,184	85#	18"	24"

†Individual SWB-18-DW purchase does not include 03005491 trash receptacle

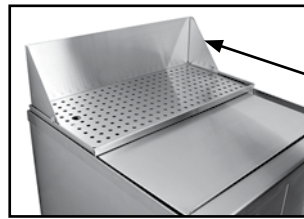
WET WASTE SINK CABINET ACCESSORY

MODEL	DESCRIPTION	LIST	WGT
03005491*	Trash receptacle, 28-1/2 qt, gray plastic	\$53	5#
DWC	Stainless dry waste container	\$367	10#

24" DRAINBOARD GLASSRACK CABINET W/ROLL-OUT SHELVES

MODEL	LIST	WEIGHT	LENGTH	DEPTH
DBGR-24-RS*	\$2,272	95#	24"	24"

⚠ WARNING: The plastic wet waste strainer included with this product can expose you to chemicals including Bisphenol A (BPA), which is known to the State of California to cause birth defects or other reproductive harm. For more information, go to www.P65Warnings.ca.gov. **Warning applies to State of California only.** Part #03000483



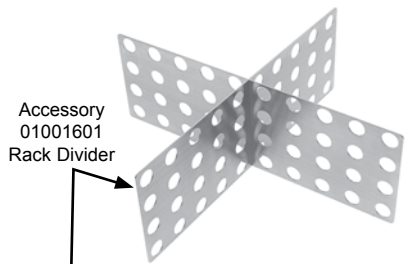
Accessory 01001602 Backsplash



Accessory 01001500 Chemical Bottle Rack



Accessory 01001601 Rack Divider



Accessory 01001541 Export transformer 220V/50Hz electrical



Glasswashers

There are ten different GT-18 models to choose from.

The top of every GT-18 glasswasher is removable. The same base, which houses all the electrical and mechanical components, is used with all of the different top styles. The various tops are used in different situations to increase glasswasher throughput. A suffix is added to the GT-18 model number to specify a top different than the standard door type. The different models are pictured below:



GT-18
Front load door type



GT-18+1
Front-to-back
pass thru



Cocktail server view
with simulated bar
top and bar die



GT-18+1L
Front-to-side pass thru with left side
drain table (GT-18+1R with right side
drain table is also available)



GT-18+2
Side-to-side
pass thru



GT-18+2-IC
Side-to-side corner
pass thru

PRODUCT INFORMATION

(see GT-18, GT-18+1, GT-18+1L or R, GT-18+2, GT-18+2 Ext, GT-18+2-IC, and GT-18 Access Spec Sheets for complete details)

STANDARD FEATURES:

- Drive wheel and glass rack lift out for cleaning
- Two 16" diameter polypropylene racks included
- Spray box unlatches for easy cleaning and visual inspection - 15 spray nozzles have been engineered for maximum soil removal
- Digital temperature gauge built into switch panel
- Intelligent microprocessor control delays cycle start, up to two minutes, when incoming water is below 120°F (49°C)
- Automatic peristaltic metering pumps accurately dispense detergent, sanitizer and rinse aid
- Prime Switch for quick chemical priming
- 1/6 HP pump recirculates wash water and rinse water
- Fractional HP drive motor powers the belt driven rotary rack and includes built-in slip clutch

ELECTRICAL:

- 120V, single phase, 60Hz, 6-foot grounded cord and plug included

CAPACITY:

- 2 minute cycle, 70 second wash and 22 second rinse exposure
- 720 - 2-1/2" diameter or 600 - 2-3/4" diameter glasses per hour (maximum glass height 10" - including pitchers and wine carafes)

EXTENDED GT-18+2 MODELS

Extended GT-18+2 models have the drain table extended on one side of the glasswasher to hold more than one rack. This increases overall glasswasher throughput by allowing multiple racks of glassware to be pre-loaded for washing. The model number specifies the overall glasswasher length and the location of the extended drain table. For example, the GT-18+2-78L (pictured) is 78" long overall and has the left side drain table extended. Extended +2's are available in 78" and 90" overall lengths. The 78" models come with three racks and the 90" models come with four racks. A leg set is included under the extended drain table.



GT-18+2-78L with 01000708 glass rack holder

Glasswashers

ROTARY RACK GLASSWASHERS

MODEL	DESCRIPTION	LIST	WEIGHT	LENGTH	DRAIN TABLE
GT-18	Front load door type	\$8,533	145#	18"	N/A
GT-18+1	Front-to-back pass thru	\$9,196	155#	18"	Back
GT-18+1L	Front-to-side pass thru	\$9,573	175#	36"	Left
GT-18+1R	Front-to-side pass thru	\$9,573	175#	36"	Right
GT-18+2	Side-to-side pass thru	\$10,021	195#	60"	Left & Right

CUSTOM ROTARY RACK GLASSWASHERS*

MODEL	DESCRIPTION	LIST	WEIGHT	LENGTH	DRAIN TABLE
GT-18+2-IC	Side-to-side corner pass thru	\$10,687	245#	42" x 42"	Left & Right
GT-18+2-78L	Side-to-side pass thru, left extended	\$10,585	275#	78"	Left & Right
GT-18+2-78R	Side-to-side pass thru, right extended	\$10,585	275#	78"	Left & Right
GT-18+2-90L	Side-to-side pass thru, left extended	\$1,151	300#	90"	Left & Right
GT-18+2-90R	Side-to-side pass thru, right extended	\$1,151	300#	90"	Left & Right

*NOTE: These units are manufactured to order and are not returnable

ACCESSORIES

MODEL	DESCRIPTION	LIST	WEIGHT
01000532	Glass rack	\$105	2#
01000533	Dish rack	\$200	4#
01000536	Glass rack insert for stemware	\$283	6#
01000710	Clip-on chemical rail	\$284	10#
01000706	Glass rack holder (for GT-18+1 only)	\$360	10#
01000708	Glass rack holder (+2, +1L, or +1R models)	\$727	20#
01000709	Glass rack holder w/shelf (+2, +1L, or +1R models)	\$911	25#
01000557	Export transformer†	\$1,040	20#



GT-18 with 01000710 chemical rail



01000536 Glass rack insert for stemware



01000533 Dish rack

See underbar section for wet waste sinks and drainboards.

†EXPORT TRANSFORMER- The export transformer converts the electrical requirement to 220V, 1 phase, 50Hz.



GT-18+2 with SWA-12 wet waste sink and 01000709 glass rack holder



GT-18+1 with 01000706 glass rack holder



GT-18+2-78L with 01000708 glass rack holder



GT-24-CW



GT-30-CCW

STANDARD FEATURES

- Removable top and front shield for easy cleaning access
- Available with clockwise or counterclockwise rotation
- Conveyor lifts out for easy cleaning
- Set of three separate curtains is included
- Switch panel may be relocated in the field
- Removable side panels for easy service access
- Spray boxes unlatch for easy cleaning - engineered for maximum soil removal
- 4000 watt heater encased in an incoloy sheath to resist caustic detergents
- Digital temperature gauges built into switch panel
- Thermostat controls wash tank temperature
- Automatic electronic peristaltic metering pumps
- 1/6 HP pumps recirculate wash water and rinse water
- Fractional HP drive motor powers the belt driven conveyor and includes built-in slip clutch
- Sensor activated low water cut off in wash tank protects heater
- Automatic chemical sensor alerts operator when detergent and sanitizer is low
- Prime switches provided for high speed chemical priming

PRODUCT INFORMATION

(see GT-24 and GT-30 Spec Sheets for complete details)

ELECTRICAL

- 120/208V or 120/240V, single phase, 60Hz, 3-wire (two hot and one neutral), ground connected per local code (green wire), 20 amp (4 wire total), unit operates within 10% of rated voltage
- Separate 20 amp circuit required [30 amp for 208V]
- A power relay in the unit separates the high and low voltages and directs the respective power to the electrical components. The heater and power light operate on 208 or 240 volts - all other components operate on 120 volts.

DETERGENT

- Extra heavy duty, non-foaming, commercial liquid dishwashing detergent is required - .30% concentration

SANITIZER

- Liquid chlorine bleach (sodium hypochlorite - 5.25% solution) adjusted to 50 ppm or iodophor adjusted to 12.5 ppm

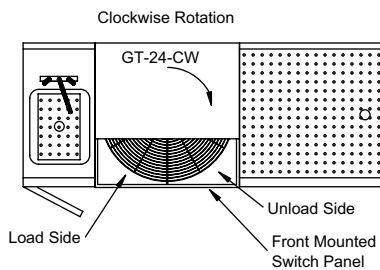
CAPACITY

- 3 minute cycle, 60 second wash and 60 second rinse exposure
- GT-24: 1000 - 2-1/2" diameter or 800 - 2-3/4" diameter glasses per hour
- GT-30: 1440 - 2-1/2" diameter or 1260 - 2-3/4" diameter glasses per hour
- Maximum glass height - 10"

What operational features must be specified?

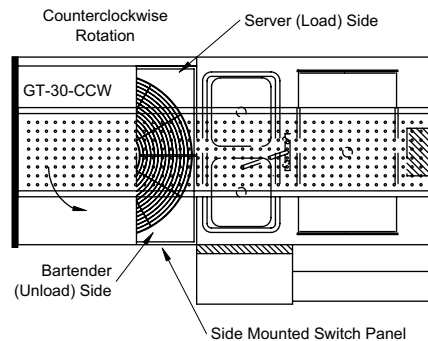
1. SWITCH PANEL LOCATION: The standard switch panel location is on the front unloading side of the glasswasher, because most glasswashers are in an underbar environment (see underbar plan view). In a pass-thru style cocktail station, the switch panel is located on the bartender side of the glasswasher (see pass-thru station plan view). If a side mounted switch panel is required, it must be specified when ordering.

UNDERBAR PLAN VIEW



2. ROTATION: Conveyor rotation can be clockwise or counterclockwise. The rotation selection is based on work flow. In an underbar environment, the wet waste sink should be on the load side of the glasswasher to prevent crossover (see underbar plan view). In a pass-thru style cocktail station, the load side should be toward the servers (see pass-thru station plan view).

PASS THRU STATION PLAN VIEW



3. VOLTAGE: Within the United States, electrical power is available as either 208V or 240V. To ensure that the 4000 watt heater operates at maximum efficiency, Glastender offers either 208V or 240V heaters. The selection of voltage depends on what is supplied to the job site. You may need to consult your electrician.

ROTARY CONVEYOR GLASSWASHERS

MODEL	LIST	WEIGHT	LENGTH	DEPTH	ROTATION	VOLTAGE
GT-24-CW-208	\$12,765	180#	24"	24"	Clockwise	208V
GT-24-CW-240	\$12,765	180#	24"	24"	Clockwise	240V
GT-24-CCW-208	\$12,765	180#	24"	24"	Counterclockwise	208V
GT-24-CCW-240	\$12,765	180#	24"	24"	Counterclockwise	240V
GT-30-CW-208	\$14,280	215#	30"	30"	Clockwise	208V
GT-30-CW-240	\$14,280	215#	30"	30"	Clockwise	240V
GT-30-CCW-208	\$14,280	215#	30"	30"	Counterclockwise	208V
GT-30-CCW-240	\$14,280	215#	30"	30"	Counterclockwise	240V

ACCESSORIES

MODEL	DESCRIPTION	LIST	WEIGHT
01000557	Export transformer†	\$1,040	20#
01000828	Mixing valve♦	\$255	1#
CWET-24	Clip-on wet waste for GT-24	\$338	10#
CWET-30	Clip-on wet waste for GT-30	\$372	15#
01000534	Stemware rack for GT-24	\$310	15#
01000535	Stemware rack for GT-30	\$404	15#



CWET-24 shown installed on a GT-24-CW

See underbar section for wet waste sinks and drainboards.



01000534 Stemware Rack for GT-24

†EXPORT TRANSFORMER- The export transformer converts the electrical requirement to 220V, 1 phase, 50Hz.

♦MIXING VALVE- A cold supply line is used to provide water to the rinse tank. If the cold water supply is less than 75°F (24°C), then a mixing valve should be installed. A mixing valve allows hot and cold water supply lines to be mixed to achieve the desired temperature.

TEAMWORK IS THE KEY.

Imagine owning a piece of equipment that turns your conventional station into a profit-maker. Glastender Cocktail Stations let bartenders and cocktail servers share the work. Teamwork is the key to increasing bartender output and your bottom line.



AN OPERATIONAL APPROACH TO EQUIPMENT DESIGN

Glastender products are designed to eliminate wasted steps and save time at every stage of the Cocktail Life Cycle. Saving time allows you to prepare and serve more drinks per hour - and more drinks served means more drinks sold.

The three styles of pass-thru cocktail stations offered are based on the Cocktail Life Cycle: assembly, disassembly, and complete.

1. Assembly: A pass-thru ice bin for making drinks.
2. Disassembly: An automatic glasswasher for handling soiled glassware.
3. Complete: A pass-thru ice bin and automatic glasswasher for making drinks and handling soiled glassware.

ASSEMBLY PROCESS

- | | |
|-----------------------------|-------------------------|
| 1. Secure Clean Glass | 5. Record the Sale |
| 2. Ice Clean Glass | 6. Garnish the Cocktail |
| 3. Add Liquor Ingredient(s) | 7. Serve the Cocktail |
| 4. Add Mix Ingredient(s) | |

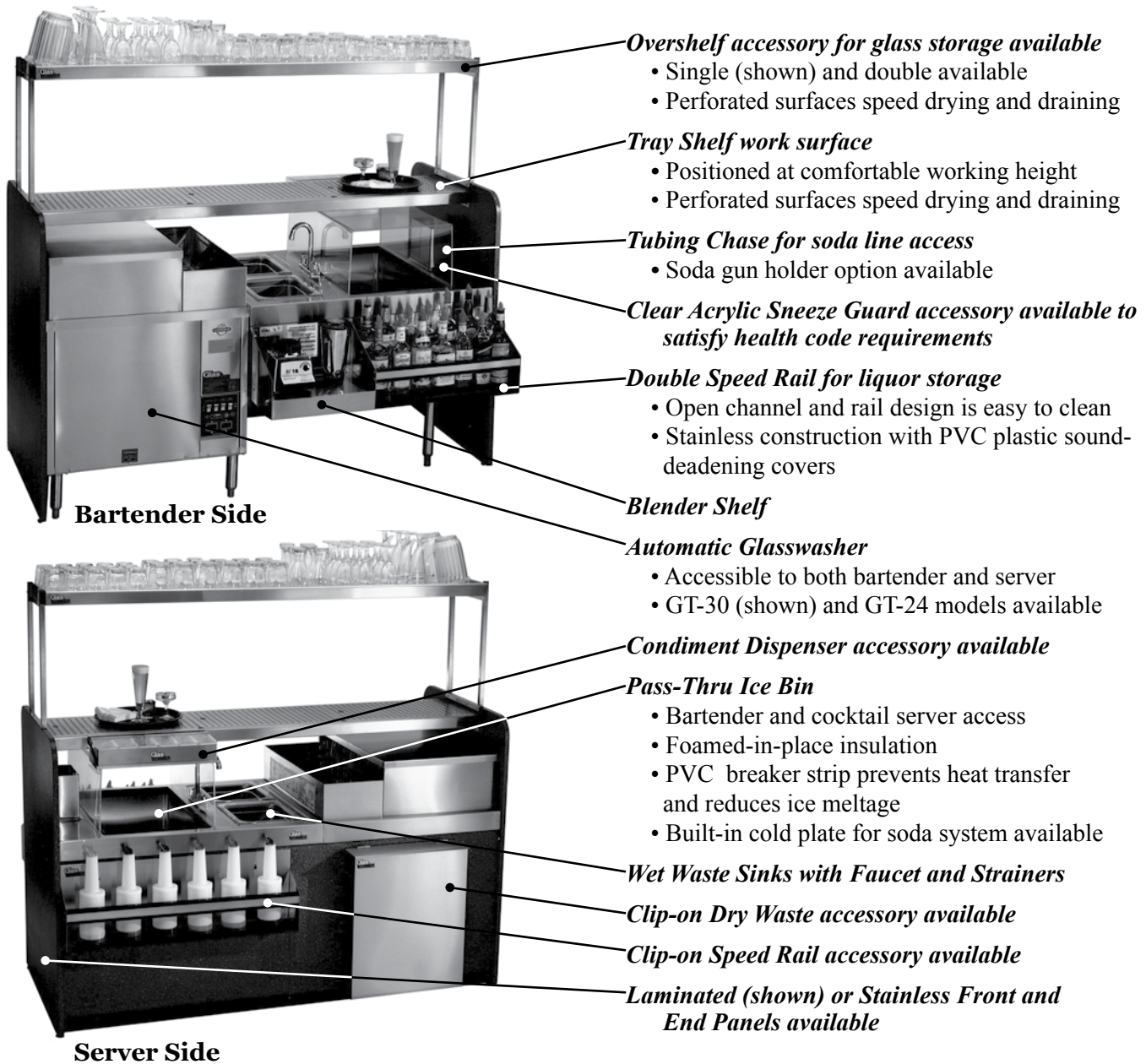
DISASSEMBLY PROCESS

8. Return Soiled Glass
9. Dispose Dry Waste
10. Dispose Wet Waste
11. Wash Soiled Glass



PROMOTE TEAM WORK, INCREASE EFFICIENCY.

Glastender manufactures a large variety of pass-thru cocktail stations which are listed in the following pages. Many of the typical features are detailed below in this one example.



Bartender Side

Server Side

- Overshelf accessory for glass storage available**
 - Single (shown) and double available
 - Perforated surfaces speed drying and draining
- Tray Shelf work surface**
 - Positioned at comfortable working height
 - Perforated surfaces speed drying and draining
- Tubing Chase for soda line access**
 - Soda gun holder option available
- Clear Acrylic Sneeze Guard accessory available to satisfy health code requirements**
- Double Speed Rail for liquor storage**
 - Open channel and rail design is easy to clean
 - Stainless construction with PVC plastic sound-deadening covers
- Blender Shelf**
- Automatic Glasswasher**
 - Accessible to both bartender and server
 - GT-30 (shown) and GT-24 models available
- Condiment Dispenser accessory available**
- Pass-Thru Ice Bin**
 - Bartender and cocktail server access
 - Foamed-in-place insulation
 - PVC breaker strip prevents heat transfer and reduces ice meltage
 - Built-in cold plate for soda system available
- Wet Waste Sinks with Faucet and Strainers**
- Clip-on Dry Waste accessory available**
- Clip-on Speed Rail accessory available**
- Laminated (shown) or Stainless Front and End Panels available**

Cocktail Stations

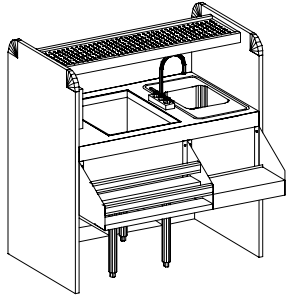
CS-72-CCW with optional SOS/SS-72 single overshelf and SG-30 sneeze guard

What is an orientation or rotation specification?

All Cocktail Stations have an orientation or rotation that determines the work flow. The orientation is dictated by the position of the glasswasher within the station. Even though assembly style Cocktail Stations do not have a glasswasher, their orientation is based on the complete Cocktail Stations from which they are derived.

The orientation and work flow are determined as follows:
Counterclockwise: The glasswasher is positioned to the bartender's left. The work flow is right to left.
Clockwise: The glasswasher is positioned to the bartender's right. The work flow is left to right.

All faucets are certified low lead compliant

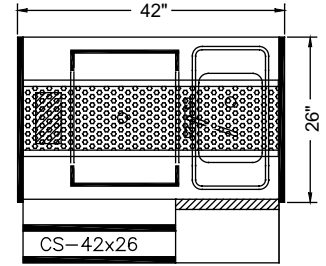


CS-42x26-CW

CS-42x26

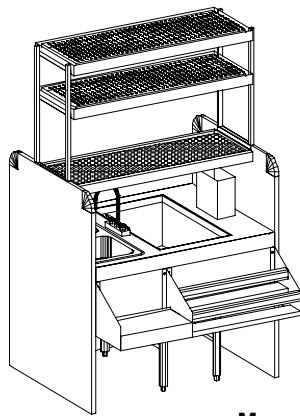
(see CS-42x26 Spec Sheet for complete details)

The CS-42x26 pass-thru assembly cocktail station includes the following standard features: pass-thru ice bin, tubing chase, wet waste sink with gooseneck faucet and strainer, blender shelf, double speed rail, 12" wide stainless steel draining tray shelf, and laminated or stainless steel front and end panels.



CS-42x26-CW
(plan view)

MODEL	LIST	WEIGHT	ROTATION	FINISH PANELS
CS-42x26-CW	\$7,329	315#	Clockwise	Included
CS-42x26-CCW	\$7,329	315#	Counterclockwise	Included

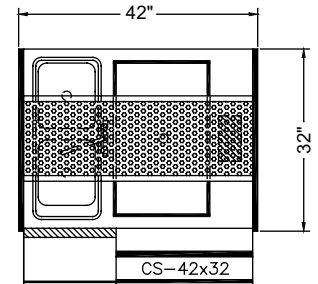


CS-42x32-CCW
with optional double
overshelf

CS-42x32

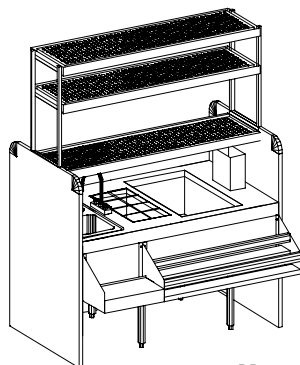
(see CS-42x32 Spec Sheet for complete details)

The CS-42x32 pass-thru assembly cocktail station includes the following standard features: pass-thru ice bin, tubing chase, two wet waste sinks with gooseneck faucet and strainers, blender shelf, double speed rail, 15" wide stainless steel draining tray shelf, and laminated or stainless steel front and end panels.



CS-42x32-CCW
(plan view)

MODEL	LIST	WEIGHT	ROTATION	FINISH PANELS
CS-42x32-CW	\$7,948	345#	Clockwise	Included
CS-42x32-CCW	\$7,948	345#	Counterclockwise	Included

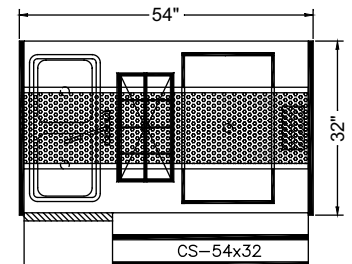


CS-54x32-CCW
with optional
double overshelf

CS-54x32

(see CS-54x32 Spec Sheet for complete details)

The CS-54x32 pass-thru assembly cocktail station includes the following standard features: pass-thru ice bin, tubing chase, eight bottle insulated storage well, two wet waste sinks with gooseneck faucet and strainers, blender shelf, double speed rail, 15" wide stainless steel draining tray shelf, and laminated or stainless steel front and end panels.

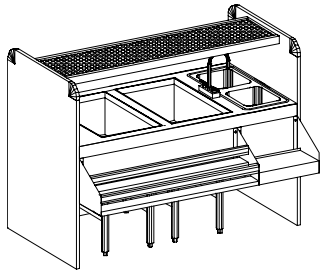


CS-54x32-CCW
(plan view)

MODEL	LIST	WEIGHT	ROTATION	FINISH PANELS
CS-54x32-CW	\$9,917	395#	Clockwise	Included
CS-54x32-CCW	\$9,917	395#	Counterclockwise	Included

*NOTE: Cocktail Stations are manufactured to order and are not returnable

WARNING: The plastic wet waste strainer included with this product can expose you to chemicals including Bisphenol A (BPA), which is known to the State of California to cause birth defects or other reproductive harm. For more information, go to www.P65Warnings.ca.gov. **Part #03000483**
Warning applies to State of California only.

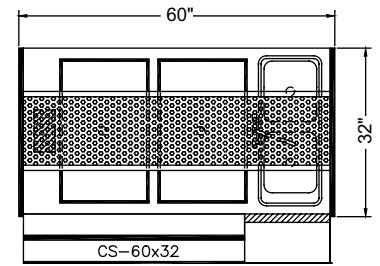


CS-60x32-CW

CS-60x32

(see CS-60x32 Spec Sheet for complete details)

The CS-60x32 pass-thru assembly cocktail station includes the following standard features: two pass-thru ice bins, tubing chase, two wet waste sinks with gooseneck faucet and strainers, blender shelf, double speed rail, 15" wide stainless steel draining tray shelf, and laminated or stainless steel front and end panels.



CS-60x32-CW
(plan view)

MODEL	LIST	WEIGHT	ROTATION	FINISH PANELS
CS-60x32-CW	\$10,200	435#	Clockwise	Included
CS-60x32-CCW	\$10,200	435#	Counterclockwise	Included

ACCESSORIES

MODEL	DESCRIPTION	LIST	WEIGHT	CS-42x26	CS-42x32	CS-54x32	CS-60x32
COLD PLATES (Built in to pass thru ice bin liner at factory)							
02000624	Ten-circuit cold plate, for 26" deep stations	\$1,663	115#	x			
02000626	Ten-circuit cold plate, for 32" deep stations	\$1,663	120#		x	x	x
OVERSHELVES (Mounts to end panels of station - brackets included)							
SOS/SS-42	42" stainless steel single overshelf	\$820	53#	x	x		
SOS/SS-54	54" stainless steel single overshelf	\$1,007	68#			x	
SOS/SS-60	60" stainless steel single overshelf	\$1,101	75#				x
DOS/SS-42	42" stainless steel double overshelf	\$1,539	98#	x	x		
DOS/SS-54	54" stainless steel double overshelf	\$1,915	126#			x	
DOS/SS-60	60" stainless steel double overshelf	\$2,103	140#				x
ICE BIN DIVIDERS							
IBD-H-CS26	Ice bin divider, half, for 26" deep station	\$109	4#	x	x	x	x
IBD-H-CS32	Ice bin divider, half, for 32" deep station	\$117	4#	x	x	x	x
CLIP-ON CONDIMENT DISPENSER (Clips to tray shelf on bartender or server side)							
CCD/T	Condiment dispenser, clip-on to tray shelf	\$178	4#	x	x	x	x
SNEEZE GUARD							
03000508	Sneeze guard for 26" deep stations	\$189	15#	x			
03000509	Sneeze guard for 32" deep stations	\$198	15#		x	x	x
CLIP-ON DRY WASTE RECEPTACLE (Clips to front panel on cocktail server side of station)							
CDRY	Clip-on dry waste (stainless steel)	\$547	30#	x	x	x	x



CDRY
(Shown with cocktail station)



CCD/T
(Shown clipped to tray shelf)



03000509
(Shown with cocktail station)

*NOTE: Cocktail Stations are manufactured to order and are not returnable

WARNING: The plastic wet waste strainer included with this product can expose you to chemicals including Bisphenol A (BPA), which is known to the State of California to cause birth defects or other reproductive harm. For more information, go to www.P65Warnings.ca.gov. **Warning applies to State of California only.** Part #03000483



IBD-H-CS26

Cocktail Stations

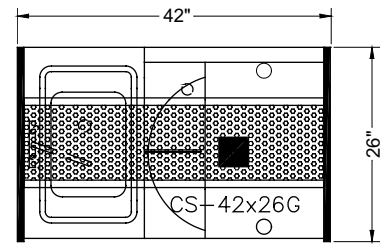
★ All faucets are certified low lead compliant

CS-42x26G

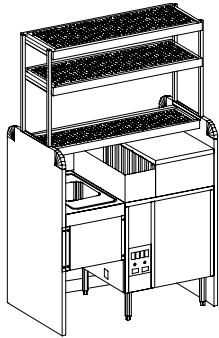
(see CS-42x26G Spec Sheet for complete details)

The CS-42x26G pass-thru disassembly cocktail station includes the following standard features: GT-24* automatic conveyor glasswasher, wet waste sink with gooseneck faucet and strainer, 12" wide stainless steel draining tray shelf, and laminated or stainless steel front and end panels.

- ◆ The GT-24 glasswasher voltage must be specified as either 208V or 240V when ordering (see page 10 for complete explanation).



CS-42x26G-CW
(plan view)



CS-42x26G-CW
with optional double overshelf

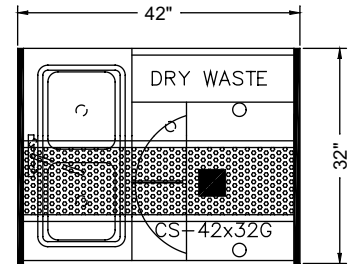
MODEL	LIST	WEIGHT	ROTATION	FINISH PANELS
CS-42x26G-CW	\$17,655	500#	Clockwise	Included
CS-42x26G-CCW	\$17,655	500#	Counterclockwise	Included

CS-42x32G

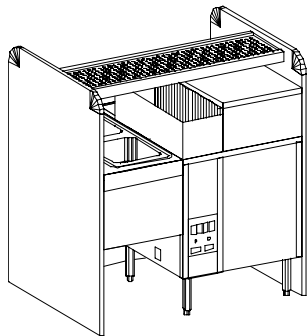
(see CS-42x32G Spec Sheet for complete details)

The CS-42x32G pass-thru disassembly cocktail station includes the following standard features: GT-24* automatic conveyor glasswasher, stainless steel removable dry waste receptacle, two wet waste sinks with gooseneck faucet and strainers, 12" wide stainless steel draining tray shelf, and laminated or stainless steel front and end panels.

- ◆ The GT-24 glasswasher voltage must be specified as either 208V or 240V when ordering (see page 10 for complete explanation).



CS-42x32G-CW
(plan view)



CS-42x32G-CW

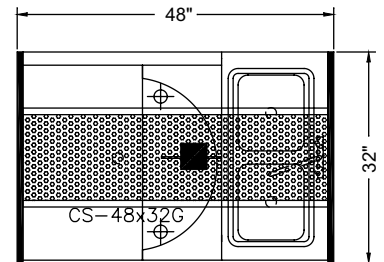
MODEL	LIST	WEIGHT	ROTATION	FINISH PANELS
CS-42x32G-CW	\$18,589	540#	Clockwise	Included
CS-42x32G-CCW	\$18,589	540#	Counterclockwise	Included

CS-48x32G

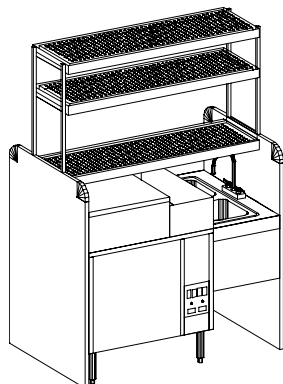
(see CS-48x32G Spec Sheet for complete details)

The CS-48x32G pass-thru disassembly cocktail station includes the following standard features: GT-30* automatic conveyor glasswasher, two wet waste sinks with gooseneck faucet and strainers, 15" wide stainless steel draining tray shelf, and laminated or stainless steel front and end panels.

- ◆ The GT-30 glasswasher voltage must be specified as either 208V or 240V when ordering (see page 10 for complete explanation).



CS-48x32G-CCW
(plan view)



CS-48x32G-CCW
with optional double overshelf

MODEL	LIST	WEIGHT	ROTATION	FINISH PANELS
CS-48x32G-CW	\$19,739	540#	Clockwise	Included
CS-48x32G-CCW	\$19,739	540#	Counterclockwise	Included

* NOTE: Cocktail Stations are manufactured to order and are not returnable

⚠ WARNING: The plastic wet waste strainer included with this product can expose you to chemicals including Bisphenol A (BPA), which is known to the State of California to cause birth defects or other reproductive harm. For more information, go to www.P65Warnings.ca.gov.
Warning applies to State of California only. Part #03000483

ACCESSORIES		LIST	WEIGHT	CS-42x26G	CS-42x32G	CS-48x32G
MODEL	DESCRIPTION					
OVERSHELVES (Mounts to end panels of station - brackets included)						
SOS/SS-42	42" stainless steel single overshelf	\$820	53#	x	x	
SOS/SS-48	48" stainless steel single overshelf	\$913	60#			x
DOS/SS-42	42" stainless steel double overshelf	\$1,539	98#	x	x	
DOS/SS-48	48" stainless steel double overshelf	\$1,727	112#			x
CLIP-ON SINGLE AND DOUBLE SPEED RAIL (Clips to glasswasher on the bartender side of station)						
CSR-16	16" clip-on single speed rail	\$199	5#	x	x	
CSR-22	22" clip-on single speed rail	\$215	6#			x
CDSR-16	16" clip-on double speed rail	\$359	10#	x	x	
CDSR-22	22" clip-on double speed rail	\$414	12#			x
CLIP-ON DRY WASTE RECEPTACLE (Clips to front panel on cocktail server side of station)						
CDRY	Clip-on dry waste (stainless steel)	\$547	30#	x	x	x
SPEED RAILS AND BOLT-ON BLENDER SHELVES (Mounts to sink section on bartender side of station)						
SSR-16	16" single speed rail	\$173	4#	x	x	x
DSR-16	16" double speed rail	\$341	8#	x	x	x
BBS-16	16" bolt-on blender shelf	\$238	16#	x	x	x



DSR-16
(Shown mounted to sink section)



BBS-16
(Shown mounted to sink section)



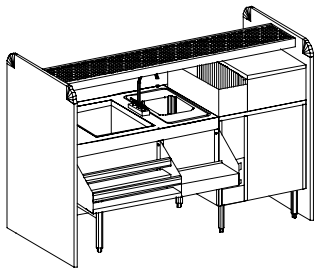
CSR-16
(Shown clipped to glasswasher)

Cocktail Stations

Complete Style Pass-Thru Cocktail Stations*

CS-66x26

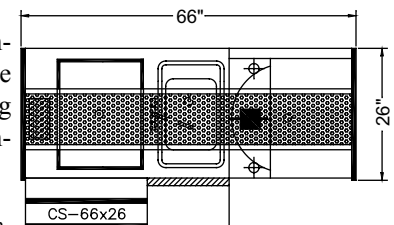
(see CS-66x26 Spec Sheet for complete details)



CS-66x26-CW

The CS-66x26 pass-thru cocktail station includes the following standard features: GT-24* automatic conveyor glasswasher, wet waste sink with gooseneck faucet and strainer, pass thru ice bin, tubing chase, blender shelf, double speed rail, 12" wide stainless steel draining tray shelf, and laminated or stainless steel front and end panels.

♦ The GT-24 glasswasher voltage must be specified as either 208V or 240V when ordering (see page 10 for complete explanation).



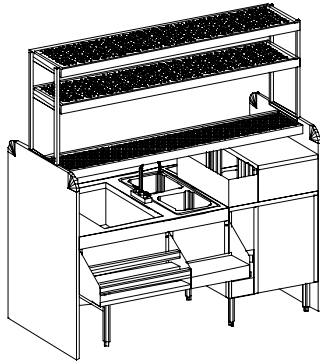
CS-66x26-CW
(plan view)

MODEL	LIST	WEIGHT	ROTATION	FINISH PANELS
CS-66x26-CW	\$20,833	550#	Clockwise	Included
CS-66x26-CCW	\$20,833	550#	Counterclockwise	Included

*NOTE: Cocktail Stations are manufactured to order and are not returnable

WARNING: The plastic wet waste strainer included with this product can expose you to chemicals including Bisphenol A (BPA), which is known to the State of California to cause birth defects or other reproductive harm. For more information, go to www.P65Warnings.ca.gov. **Warning applies to State of California only.** Part #03000483

All faucets are certified low lead compliant



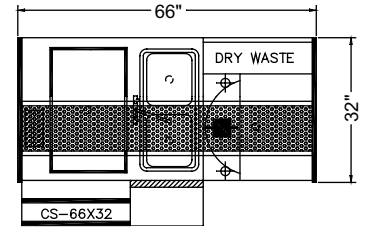
CS-66x32-CW
with optional double overshelf

CS-66x32

(see CS-66x32 Spec Sheet for complete details)

The CS-66x32 pass-thru cocktail station includes the following standard features: GT-24* automatic conveyor glasswasher, stainless steel removable dry waste receptacle, two wet waste sinks with gooseneck faucet and strainers, pass-thru ice bin, tubing chase, blender shelf, double speed rail, 12" wide stainless steel draining tray shelf, and laminated or stainless steel front and end panels.

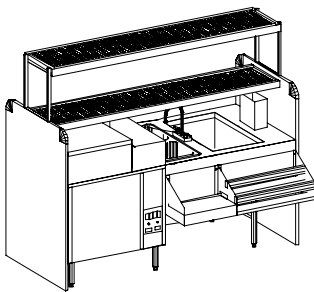
♦ The GT-24 glasswasher voltage must be specified as either 208V or 240V when ordering (see page 10 for complete explanation).



CS-66x32-CW
(plan view)

MODEL	LIST	WEIGHT	ROTATION	FINISH PANELS
CS-66x32-CW	\$21,924	600#	Clockwise	Included
CS-66x32-CCW	\$21,924	600#	Counterclockwise	Included

Cocktail Stations



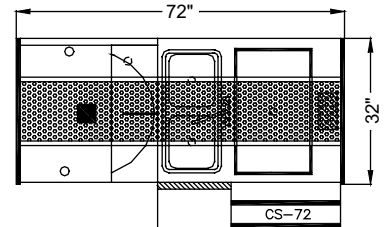
CS-72-CCW
with optional single overshelf

CS-72

(see CS-72 Spec Sheet for complete details)

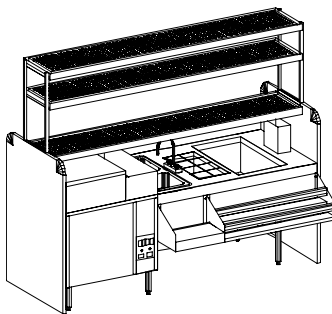
The CS-72 pass-thru cocktail station includes the following standard features: GT-30* automatic conveyor glasswasher, two wet waste sinks with gooseneck faucet and strainers, pass-thru ice bin, tubing chase, blender shelf, double speed rail, 15" wide stainless steel draining tray shelf, and laminated or stainless steel front and end panels.

♦ The GT-30 glasswasher voltage must be specified as either 208V or 240V when ordering (see page 10 for complete explanation).



CS-72-CCW
(plan view)

MODEL	LIST	WEIGHT	ROTATION	FINISH PANELS
CS-72-CW	\$23,091	700#	Clockwise	Included
CS-72-CCW	\$23,091	700#	Counterclockwise	Included



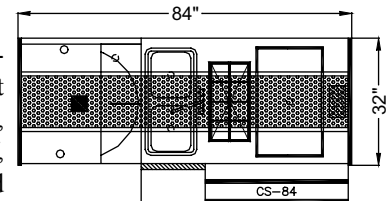
CS-84-CCW with optional
double overshelf

CS-84

(see CS-84 Spec Sheet for complete details)

The CS-84 pass-thru cocktail station includes the following standard features: GT-30* automatic conveyor glasswasher, two wet waste sinks with gooseneck faucet and strainers, pass-thru ice bin, tubing chase, eight bottle insulated storage well, blender shelf, double speed rail, 15" wide stainless steel draining tray shelf, and laminated or stainless steel front and end panels.

♦ The GT-30 glasswasher voltage must be specified as either 208V or 240V when ordering (see page 10 for complete explanation).



CS-84-CCW
(plan view)

MODEL	LIST	WEIGHT	ROTATION	FINISH PANELS
CS-84-CW	\$25,162	750#	Clockwise	Included
CS-84-CCW	\$25,162	750#	Counterclockwise	Included

* NOTE: Cocktail Stations are manufactured to order and are not returnable

WARNING: The plastic wet waste strainer included with this product can expose you to chemicals including Bisphenol A (BPA), which is known to the State of California to cause birth defects or other reproductive harm. For more information, go to www.P65Warnings.ca.gov.
Warning applies to State of California only. Part #03000483

ACCESSORIES		LIST	WEIGHT	CS-66x26	CS-66x32	CS-72	CS-84
COLD PLATES (Built in to pass-thru ice bin liner at factory)							
02000624	Ten-circuit cold plate, for 26" deep stations	\$1,663	115#	x			
02000626	Ten-circuit cold plate, for 32" deep stations	\$1,663	120#		x	x	x
OVERSHELVES (Mounts to end panels of station - brackets included)							
SOS/SS-66	66" stainless steel single overshelf	\$1,195	83#	x	x		
SOS/SS-72	72" stainless steel single overshelf	\$1,288	90#			x	
SOS/SS-84	84" stainless steel single overshelf	\$1,477	105#				x
DOS/SS-66	66" stainless steel double overshelf	\$2,290	154#	x	x		
DOS/SS-72	72" stainless steel double overshelf	\$2,478	168#			x	
DOS/SS-84	84" stainless steel double overshelf	\$2,854	196#				x
ICE BIN DIVIDERS							
IBD-H-CS26	Ice bin divider, half, for 26" deep station	\$109	4#	x			
IBD-H-CS32	Ice bin divider, half, for 32" deep station	\$117	4#		x	x	x
CLIP-ON CONDIMENT DISPENSER (Clips to tray shelf on bartender or server side)							
CCD/T	Condiment dispenser, clip-on to tray shelf	\$178	4#	x	x	x	x
SNEEZE GUARD							
03000508	Sneeze guard for 26" deep stations	\$189	15#	x			
03000509	Sneeze guard for 32" deep stations	\$198	15#		x	x	x
CLIP-ON SINGLE AND DOUBLE SPEED RAILS (Clips on to glasswasher on bartender side)							
CSR-16	16" Clip-on single speed rail	\$199	5#	x	x		
CSR-22	22" Clip-on single speed rail	\$215	6#			x	x
CDSR-16	16" Clip-on double speed rail	\$359	10#	x	x		
CDSR-22	22" Clip-on double speed rail	\$414	12#			x	x
CLIP-ON DRY WASTE RECEPTACLE (Clips to front panel on cocktail server side of station)							
CDRY	Clip-on dry waste (stainless steel)	\$547	30#	x	x	x	x



Cocktail Stations

LAMINATED PANELS			
MODEL	DESCRIPTION	LIST	WT
EP-24	26" deep station end panel	\$872	40#
EP-30	32" deep station end panel	\$872	45#
FP-26	54" station front panel (2 required)	\$546	18#
FP-29	60" station front panel (2 required)	\$546	19#
FP-32	66" station front panel (2 required)	\$546	20#
FP-35	72" station front panel (2 required)	\$546	23#
FP-40	42" station front panel	\$762	25#
FP-41	84" station front panel (2 required)	\$762	26#
FP-46	48" station front panel	\$762	32#

STAINLESS STEEL PANELS			
MODEL	DESCRIPTION	LIST	WT
EP-24-SS	26" deep station end panel	\$916	45#
EP-30-SS	32" deep station end panel	\$916	50#
FP-26-SS	54" station front panel (2 required)	\$573	21#
FP-29-SS	60" station front panel (2 required)	\$573	22#
FP-32-SS	66" station front panel (2 required)	\$573	23#
FP-35-SS	72" station front panel (2 required)	\$573	26#
FP-40-SS	42" station front panel	\$800	28#
FP-41-SS	84" station front panel (2 required)	\$800	29#
FP-46-SS	48" station front panel	\$800	35#

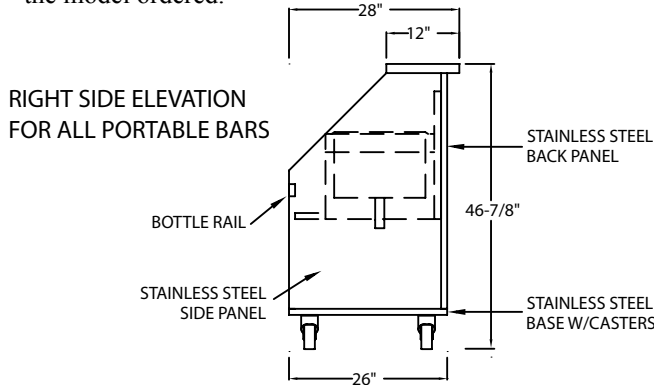
TRAY SHELVES	
MODEL	DESCRIPTION
TSC- ♦	12" wide tray shelf \$344 list for first 12". Add \$180 list for each additional 12". Weight 10# per foot.
TSD- ♦	15" wide tray shelf \$350 list for first 12". Add \$187 list for each additional 12". Weight 12# per foot.
TS-20X- ♦	20" wide tray shelf \$363 list for first 12". Add \$203 list for each additional 12". Weight 15# per foot.
♦ Specify length in inches	

*NOTE: Cocktail Stations are manufactured to order and are not returnable



PBC48-12

Portable bars for stackable cups come with a cup storage well for three rows up to 4-1/4" in diameter, as well as a cocktail ice bin and an iced beverage storage bin. The size of the cocktail bin and beverage storage bin vary depending on the model ordered.



PBG72-12

Portable bars for glassware come with a glass storage work surface area consisting of a seamless-welded pan with perforated insert and rack slides for storing three 20"x20" glass racks below. They also include a cocktail ice bin and an iced beverage storage bin, the sizes of which vary depending on the model ordered.

*NOTE: Portable bars are made to order and are not returnable.

PORTABLE BAR FOR STACKABLE CUPS

MODEL	LIST	COCKTAIL ICE BIN	BEVERAGE BIN	WT	OVERALL LENGTH
PBC48-12	\$7,217	12"	24"	275#	48"
PBC48-18	\$7,274	18"	18"	275#	48"
PBC54-12	\$7,670	12"	30"	300#	54"
PBC54-18	\$7,727	18"	24"	300#	54"
PBC60-12	\$8,136	12"	36"	325#	60"
PBC60-18	\$8,182	18"	30"	325#	60"

PRODUCT INFORMATION

(see PBC, PBCR, PBG, and PBGR Spec Sheets for complete details)

STANDARD FEATURES:

- Weather resistant stainless steel construction
- Stainless steel bottle rail with PVC plastic sound deadening cover. Rail includes clear snap-on liquor identification label cover.
- PBC and PBCR - Cup storage well for three rows up to 4-1/4" in diameter
- PBG and PBGR - Seamless-welded glass storage pan with perforated insert and storage for three glass racks below
- Cocktail ice bin with sliding cover and condiment cup area. Rear condiment area has hinged stainless steel sanitary cover with three (12") or four (18") cups.
- Iced beverage storage bin with separate drain to prevent contamination of ice used to make cocktails. Drain includes flexible hose and on/off valve for draining when convenient.
- Foamed-in-place insulation and an PVC plastic breaker strip around ice bin liners to prevent thermal transfer from outside the ice bin so ice lasts longer
- 6-gallon plastic drain tank with on-off valve to collect melting ice water from cocktail bin
- 4" heavy-duty rubberized casters. The two bartender side corner casters are locking.
- Stainless steel front and side panels are welded to the 16-gauge stainless steel base for incredible durability
- Stainless steel bar top and front and side panels have a plastic honeycomb core for durability and sound deadening
- Stylish feathered jewel finish on bar top hides scratches

PORTABLE BAR FOR GLASSWARE

MODEL	LIST	COCKTAIL ICE BIN	BEVERAGE BIN	WT	OVERALL LENGTH
PBG66-12	\$8,887	12"	24"	355#	66"
PBG66-18	\$8,942	18"	18"	355#	66"
PBG72-12	\$9,355	12"	30"	380#	72"
PBG72-18	\$9,411	18"	24"	380#	72"
PBG78-12	\$9,822	12"	36"	405#	78"
PBG78-18	\$9,879	18"	30"	405#	78"

PORTABLE BAR FOR STACKABLE CUPS WITH SPACE FOR REFRIGERATOR

MODEL	LIST	COCKTAIL ICE BIN	BEVERAGE BIN	WT	OVERALL LENGTH
PBCR72-12	\$8,933	12"	12"	340#	72"
PBCR78-12	\$9,391	12"	18"	365#	78"
PBCR78-18	\$9,447	18"	12"	365#	78"
PBCR84-12	\$9,858	12"	24"	390#	84"
PBCR84-18	\$9,912	18"	18"	390#	84"
PBCR90-12	\$10,312	12"	30"	415#	90"
PBCR90-18	\$10,368	18"	24"	415#	90"
PBCR96-12	\$10,765	12"	36"	440#	96"
PBCR96-18	\$10,822	18"	30"	440#	96"

Portable bars for stackable cups with space for a refrigerator share the same features as the other stackable cups models, except they also include a 36" w by 25" d by 38-3/4" h space for an on-board refrigerator. The refrigerator must be ordered separately. A Glastender model C1FB36 (page 77) or ST36 (Page 107) is recommended. If a non-Glastender refrigerator is being used, verify the power cord can exit the front of the 36" opening.



PBGR96-18



PBCR72-12

PORTABLE BAR FOR GLASSWARE WITH SPACE FOR REFRIGERATOR

MODEL	LIST	COCKTAIL ICE BIN	BEVERAGE BIN	WT	OVERALL LENGTH
PBGR90-12	\$10,400	12"	12"	415#	90"
PBGR96-12	\$10,867	12"	18"	440#	96"
PBGR96-18	\$10,923	18"	12"	440#	96"

Portable bars for glassware with space for a refrigerator share the same features as the other glassware models, except they also include a 36" w by 25" d by 38-3/4" h space for an on-board refrigerator. The refrigerator must be ordered separately. A Glastender model C1FB36 (page 77) or ST36 (Page 107) is recommended. If a non-Glastender refrigerator is being used, verify the power cord can exit the front of the 36" opening.

*NOTE: Portable bars are made to order and are not returnable.

Portable Bars Graphic Wraps



We can apply a wrap to your portable bar with any image.

Pricing assumes camera-ready artwork provided by customer.

GRAPHIC WRAPS FOR PORTABLE BARS

MODEL	DESCRIPTION	LIST
GWP48	Wrap for 48" w unit	\$2,047
GWP54	Wrap for 54" w unit	\$2,136
GWP60	Wrap for 60" w unit	\$2,220
GWP66	Wrap for 66" w unit	\$2,303
GWP72	Wrap for 72" w unit	\$2,372
GWP78	Wrap for 78" w unit	\$2,469
GWP84	Wrap for 84" w unit	\$2,553
GWP90	Wrap for 90" w unit	\$2,636
GWP96	Wrap for 96" w unit	\$2,777

Bar Fabrication - Main Line



IBA-24-CP10

PRODUCT INFORMATION

(see IB and IB-ED Spec Sheets for complete details)

STANDARD FEATURES

- One-piece, seamless top and backsplash
- PVC plastic breaker strip around ice bin liner: creates 5/16" raised edge around liner (NSF® requirement is 3/16"), acts as a thermal barrier to prevent heat transfer, and makes the covers slide easier
- Tubing chase available centered in backsplash of 12" and larger models. Specify accessory model #TC-BS.
- 24" deep version provides a larger ice bin, not just a deck extension on the back of 19" deep model
- Sliding stainless steel cover
- Foamed-in-place insulation
- Models without cold plates have a 1-1/2" welded tailpiece - no drain fitting to break or come loose
- 10-1/2" deep liner (Extra deep models have a 14-1/2" deep liner)
- Adjustable stainless steel bullet feet

What is a cold plate?

A cold plate is an aluminum block with stainless steel lines or circuits molded within. Glastender ice bins can be manufactured with a ten-circuit cold plate built into the bottom liner. Soda lines are attached by the soda vendor to the input and output lines of the cold plate and the soda water and syrup is chilled as it passes through these lines. Please consult your soda vendor to determine if cold plates are required in your ice bins.

19" DEEP ICE BINS*

MODEL	LIST	LENGTH	WEIGHT	ICE CAPACITY
IBA-6†	\$849	6"	40#	17#
IBA-12	\$1,202	12"	50#	33#
IBA-18	\$1,358	18"	60#	50#
IBA-24	\$1,515	24"	70#	67#
IBA-30	\$1,674	30"	80#	84#
IBA-36	\$1,855	36"	90#	100#
IBA-42	\$2,017	42"	100#	117#
IBA-48	\$2,177	48"	110#	134#

19" DEEP EXTRA DEEP ICE BINS*

IBA-18-ED	\$1,536	18"	75#	69#
IBA-24-ED	\$1,711	24"	80#	92#
IBA-30-ED	\$1,889	30"	90#	116#
IBA-36-ED	\$2,086	36"	100#	139#
IBA-42-ED	\$2,265	42"	110#	162#
IBA-48-ED	\$2,443	48"	125#	185#

WITH 10-CIRCUIT COLD PLATE

IBA-24-CP10	\$2,687	24"	130#	67#
IBA-30-CP10	\$2,892	30"	145#	84#
IBA-36-CP10	\$3,164	36"	160#	100#
IBA-42-CP10	\$3,578	42"	170#	117#
IBA-48-CP10	\$3,739	48"	180#	134#

19" EXTRA DEEP ICE BINS WITH 10-CIRCUIT COLD PLATE*

IBA-24-CP10-ED	\$3,003	24"	140#	92#
IBA-30-CP10-ED	\$3,234	30"	155#	116#
IBA-36-CP10-ED	\$3,572	36"	170#	139#
IBA-42-CP10-ED	\$3,979	42"	180#	162#
IBA-48-CP10-ED	\$4,175	48"	190#	185#

† Not free standing

24" DEEP ICE BINS*

MODEL	LIST	LENGTH	WEIGHT	ICE CAPACITY
IBB-6†	\$920	6"	45#	21#
IBB-12	\$1,299	12"	55#	42#
IBB-18	\$1,480	18"	70#	64#
IBB-24	\$1,686	24"	80#	85#
IBB-30	\$1,849	30"	95#	106#
IBB-36	\$2,044	36"	110#	127#
IBB-42	\$2,240	42"	120#	149#
IBB-48	\$2,419	48"	130#	170#

WITH 10-CIRCUIT COLD PLATE*

IBB-24-CP10	\$2,833	24"	145#	85#
IBB-30-CP10	\$3,358	30"	160#	106#
IBB-36-CP10	\$3,575	36"	170#	127#
IBB-42-CP10	\$3,786	42"	185#	149#
IBB-48-CP10	\$3,980	48"	195#	170#

24" EXTRA DEEP ICE BINS WITH 10-CIRCUIT COLD PLATE*

IBB-24-CP10-ED	\$3,108	24"	155#	117#
IBB-30-CP10-ED	\$3,661	30"	170#	147#
IBB-36-CP10-ED	\$3,900	36"	180#	176#
IBB-42-CP10-ED	\$4,135	42"	195#	205#
IBB-48-CP10-ED	\$4,351	48"	205#	235#

† Not free standing

*NOTE: These ice bin models are manufactured to order and are not returnable

PASS-THRU ICE BINS

MODEL	LIST	COLD PLATE	WEIGHT	ICE CAPACITY
IB-38X24*	\$2,742	N/A	100#	175#
IB-38X24-CP10	\$3,945	10 circuit	190#	175#

A 24" wide by 38" deep pass-thru ice bin is used to provide the cocktail servers with access to the ice. Pass-thru ice bins have the same features as standard ice bins, except there is no backsplash and the sliding cover is double sided. The bartender side of the ice bin lines up with the underbar equipment the same as a standard ice bin. The 38" deep dimension also allows a pass-thru ice bin to line up with back-to-back mounted underbar equipment (see sample drawings).

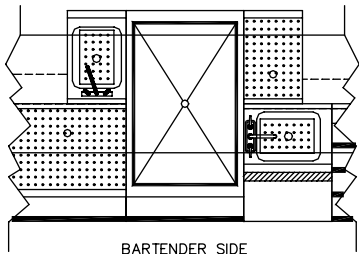
*NOTE: This model is manufactured to order and is not returnable

PRODUCT INFORMATION

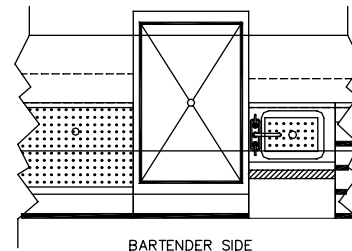
(see IB-38x24 Spec Sheet for complete details)



IB-38X24



Underbar Plan View with Pass-Thru Ice Bin and Back-to-Back Mounted Underbar



Underbar Plan View with Pass-Thru Ice Bin

ACCESSORIES

MODEL	DESCRIPTION	LIST	WEIGHT
TC-BS	Tubing chase centered in backsplash (12" wide and larger models only)	\$48	N/A
SSR-12	12" single speed rail	\$157	4#
SSR-18	18" single speed rail	\$173	6#
SSR-24	24" single speed rail	\$189	7#
SSR-30	30" single speed rail	\$204	10#
SSR-36	36" single speed rail	\$220	12#
SSR-42	42" single speed rail	\$235	18#
SSR-48	48" single speed rail	\$252	22#
DSR-12	12" double speed rail	\$311	8#
DSR-18	18" double speed rail	\$341	12#
DSR-24	24" double speed rail	\$368	14#
DSR-30	30" double speed rail	\$399	20#
DSR-36	36" double speed rail	\$429	24#
DSR-42	42" double speed rail	\$460	36#
DSR-48	48" double speed rail	\$496	44#
CCD	Condiment dispenser	\$144	5#
CCD6-12	Condiment dispenser, ice chilled, includes six cups and two lift off covers, for IBA-12 or well of CBA model	\$331	8#
IBD-H-A	Ice bin divider, half, for 19" deep ice bin	\$73	4#
IBD-H-B	Ice bin divider, half, for 24" deep ice bin	\$93	4#
IBD-H-A-ED	Ice bin divider, half, for 19" deep extra deep ice bin	\$86	4#
IBD-H-B-ED	Ice bin divider, half, for 24" deep extra deep ice bin	\$109	4#
IBD-H-P	Ice bin divider, half, for IB-38X24	\$123	4#
IBD-H-P-CP	Ice bin divider, half, for IB-38X24-CP10	\$131	4#
IBD-H-P-LR	Ice bin divider, half, left to right for IB-38X24	\$93	4#



SSR-24



DSR-24



CCD6-12



TC-BS



IBD-H-A



CCD

Bar Fabrication - Main Line

NOTE: For Bottle Wells or Racks see following page



CBA-36R-CP10
with optional SSR-36

PRODUCT INFORMATION
(see CB and CB-ED Spec Sheets
for complete details)

STANDARD FEATURES

- One-piece, seamless top and backsplash
- PVC plastic breaker strip around ice bin liner: creates 5/16" raised edge around liner (NSF® requirement is 3/16"), acts as thermal barrier to prevent heat transfer, and makes the covers slide easier
- Tubing chase available centered in backsplash of 12" and larger models. Specify accessory model #TC-BS.
- 24" deep version provides a larger ice bin, not just a deck extension on the back of 19" deep model
- Sliding stainless steel cover
- Foamed-in-place insulation
- Models without cold plates have a 1-1/2" welded tailpiece - no drain fitting to break or come loose
- 10-1/2" deep liner (Extra deep models have a 14-1/2" deep liner)
- Adjustable stainless steel bullet feet

Combo Ice Bins combine separate draining ice bin and bottle well compartments into one integral unit. The fully insulated bottle well comes with wire rack(s) for ice chilled storage of bottles. The bottle well may be located on the left, right, or both sides of the ice bin.

19" DEEP COMBO ICE BINS*

MODEL	LIST	LENGTH	WT	ICE CAPACITY	BOTTLES STORED
CBA-30L3 or R3	\$2,182	30"	90#	67#	3
CBA-30L or R	\$2,182	30"	90#	50#	6
CBA-36L or R	\$2,347	36"	100#	67#	6
CBA-42	\$2,857	42"	110#	50#	12
CBA-42L or R	\$2,510	42"	110#	84#	6
CBA-48	\$3,042	48"	120#	67#	12
CBA-48L or R	\$2,700	48"	120#	100#	6

WITH 10-CIRCUIT COLD PLATE

CBA-30L3 or R3-CP10	\$3,534	30"	165#	67#	3
CBA-36L or R-CP10	\$3,698	36"	170#	67#	6
CBA-42L or R-CP10	\$3,912	42"	180#	84#	6
CBA-48-CP10	\$4,465	48"	200#	67#	12
CBA-48L or R-CP10	\$4,204	48"	200#	100#	6
CBA-54-CP10*	\$4,685	54"	210#	84#	12
CBA-60-CP10*	\$4,975	60"	220#	100#	12

19" EXTRA DEEP COMBO ICE BINS WITH 10-CIRCUIT COLD PLATE*

CBA-30L3 or R3-CP10-ED	\$3,796	30"	175#	92#	3
CBA-36L or R-CP10-ED	\$3,960	36"	180#	92#	6
CBA-42L or R-CP10-ED	\$4,193	42"	190#	116#	6
CBA-48-CP10-ED	\$4,774	48"	210#	92#	12
CBA-48L or R-CP10-ED	\$4,504	48"	210#	139#	6

24" DEEP COMBO ICE BINS WITH 10-CIRCUIT COLD PLATE*

CBB-30L4 or R4-CP10	\$3,992	30"	175#	85#	4
CBB-36L or R-CP10	\$4,165	36"	180#	85#	8
CBB-42L or R-CP10	\$4,338	42"	190#	106#	8
CBB-48-CP10	\$5,144	48"	210#	85#	16
CBB-48L or R-CP10	\$4,510	48"	210#	127#	8

*NOTE: These Combo Ice Bin models are manufactured to order and are not returnable

Bar Fabrication - Main Line

COMBO ICE BIN ACCESSORIES

MODEL	DESCRIPTION	LIST	WEIGHT
TC-BS	Tubing chase centered in backsplash	\$48	N/A
SSR-30	30" single speed rail	\$204	10#
SSR-36	36" single speed rail	\$220	12#
SSR-42	42" single speed rail	\$235	18#
SSR-48	48" single speed rail	\$252	22#
SSR-54	54" single speed rail	\$368	25#
SSR-60	60" single speed rail	\$385	28#
DSR-30	30" double speed rail	\$399	20#
DSR-36	36" double speed rail	\$429	24#
DSR-42	42" double speed rail	\$460	36#
DSR-48	48" double speed rail	\$496	44#
DSR-54	54" double speed rail	\$662	50#
DSR-60	60" double speed rail	\$685	56#
CCD	Condiment dispenser	\$144	5#
IBD-H-A	Ice bin divider, half, for 19" deep ice bin	\$73	4#
IBD-H-B	Ice bin divider, half, for 24" deep ice bin	\$93	4#



SSR-54



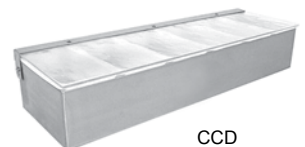
IBD-H-A



TC-BS



DSR-54



CCD



CBA-36-CP10-CS



Large chase behind each bottle well provides access for soda and liquor lines.

CASINO STYLE COMBO ICE BIN*

<u>MODEL</u>	<u>LIST</u>	<u>LENGTH</u>	<u>WT</u>	<u>ICE CAPACITY</u>	<u>BOTTLES STORED</u>
CBA-36-CP10-CS	\$4,602	36"	190#	67#	6

*NOTE: Casino Style Combo Ice Bin model is manufactured to order and not returnable

CASINO STYLE COMBO ICE BIN ACCESSORY

<u>MODEL</u>	<u>DESCRIPTION</u>	<u>LIST</u>	<u>WEIGHT</u>
CCD	Condiment dispenser	\$144	5#

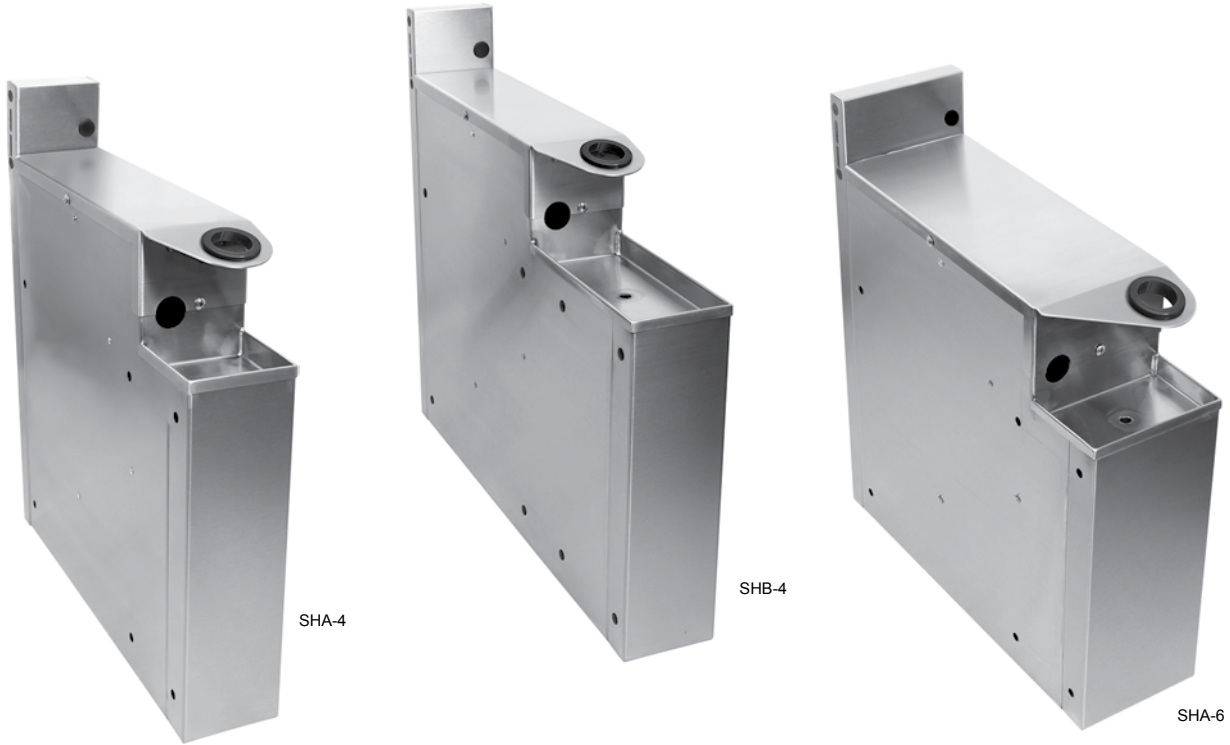
PRODUCT INFORMATION

(see Casino Spec Sheet for complete details)

STANDARD FEATURES

- Integrates one ice bin, two separate draining bottle wells, and two tubing chases into a one-piece seamless top and backsplash
- All stainless steel construction
- PVC plastic breaker strip around ice bin liner: creates 5/16" raised edge around liner, acts as thermal barrier to prevent heat transfer, and makes the cover slide easier
- One 3-bottle well to the left and right of the main ice bin liner
- 4" by 4-1/2" chase opening located behind each bottle well
- 24" single speed rail with PVC sound deadening cover included
- Sliding stainless steel cover for main ice bin liner
- Adjustable stainless steel bullet feet
- Ten circuit cold plate standard in main ice bin liner

Protected by one or more patents. For more information visit:
<https://www.glastender.com/patent.html>



Bar Fabrication - Main Line

PRODUCT INFORMATION

(see SH Spec Sheet for complete details)

STANDARD FEATURES

- All stainless steel construction
- Designed to house the manifold of Wunder-Bar® or Schroeder America™ 8 to 14 button soda guns
- Includes integral drip pan with radius corners for easy cleaning
- Built-in holder for soda gun
- Top cover is removable for access to the soda manifold
- Allows you to dictate the soda gun location
- Eliminates the need for tubing bundles above the work surface
- Designed to mount to at least one other piece of underbar equipment (there is no provision for leg mounting)
- Includes camlock in backsplash for mounting to adjacent underbar
- Extra deep “-ED” models available to align with extra-deep style ice bins

19" DEEP SODA GUN HOLDERS

MODEL	LIST	LENGTH	WEIGHT
SHA-4	\$544	4"	22#
SHA-4-ED	\$578	4"	24#
SHA-6	\$569	6"	25#
SHA-6-ED	\$608	6"	27#

24" DEEP SODA GUN HOLDERS

MODEL	LIST	LENGTH	WEIGHT
SHB-4	\$577	4"	22#
SHB-4-ED	\$617	4"	24#
SHB-6	\$603	6"	25#
SHB-6-ED	\$647	6"	27#

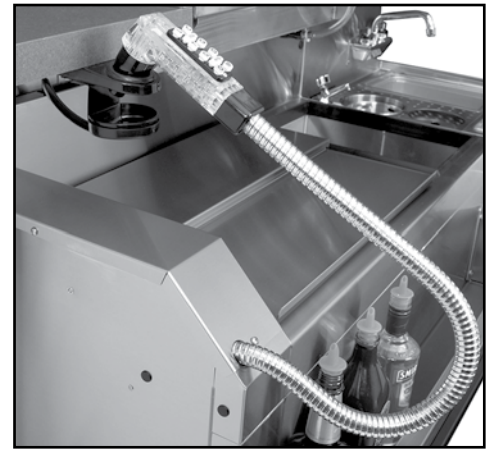
38" DEEP PASS THRU SODA GUN HOLDERS

MODEL	LIST	LENGTH	WEIGHT
SHP-4	\$870	4"	32#
SHP-4-ED	\$928	4"	34#
SHP-6	\$921	6"	35#
SHP-6-ED	\$984	6"	37#



SMHA-4

Installation photo showing soda gun drip cup mounted below bar top (soda gun and drip cup not included)



PRODUCT INFORMATION

(see SHM Spec Sheet for complete details)

STANDARD FEATURES

- Stainless steel construction
- Designed to house the manifold of Wunder-Bar® or Schroeder America™ 8 to 14 button soda guns
- Once installed, the top of the housing is 34" high
- Top cover is removable for access to the soda manifold
- Eliminates the need for tubing bundles above the work surface
- Mounts to an adjacent piece of underbar (there is no provision for leg mounting)
- The soda gun drip cup supplied by the soda gun manufacturer mounts to the underside of your bar top
- Extra deep "-ED" models available to align with extra-deep style ice bins

19" DEEP SODA MANIFOLD HOUSING

MODEL	LIST	LENGTH	WEIGHT
SMHA-4	\$401	4"	20#
SMHA-4-ED	\$427	4"	22#
SMHA-6	\$428	6"	23#
SMHA-6-ED	\$457	6"	25#

24" DEEP SODA MANIFOLD HOUSING

MODEL	LIST	LENGTH	WEIGHT
SMHB-4	\$439	4"	24#
SMHB-4-ED	\$473	4"	26#
SMHB-6	\$470	6"	28#
SMHB-6-ED	\$505	6"	30#

38" DEEP PASS THRU MANIFOLD HOUSING

MODEL	LIST	LENGTH	WEIGHT
SMHP-4	\$647	4"	35#
SMHP-4-ED	\$701	4"	37#
SMHP-6	\$694	6"	40#
SMHP-6-ED	\$751	6"	42#

Bar Fabrication - Main Line

Undercounter Mount Gun Holder



UMGH

PRODUCT INFORMATION
(see UMGH Spec Sheet for complete details)



14 gauge stainless steel with rubber grommet and plastic drip pan. Grommet is specially sized to properly hold both Wunder-Bar® and Schroeder America™ style soda guns. Includes 10' of drain line tube.

UNDERCOUNTER MOUNT GUN HOLDER

MODEL	LIST	WEIGHT
UMGH	\$103	3#

PRODUCT INFORMATION

(see BW Spec Sheet for complete details)

Bottle Wells are PVC plastic-molded bottle holders that are placed in an ice bin to hold ice-chilled mix-ingredient pour and store bottles. There are two sizes of wells: 3 bottle for 19" deep ice bins and four bottle for 24" deep ice bins. The 3 bottle notched model is used with the IB-38x24 pass-thru ice bin.

A bottle well may be placed on one or both sides of an ice bin and is designed with a special ledge on one side to hold a sliding ice bin cover. When bottle wells are ordered with an original ice bin, the correct, smaller-sliding ice bin cover is automatically provided.

For three bottles stored on one side of a 19" deep ice bin, order one model number BW3. For three bottles stored on both sides of a 19" deep ice bin, order a quantity of two BW3.

For four bottles stored on one side of a 24" deep ice bin, order one model number BW4. For four bottles stored on both sides of a 24" deep ice bin, order a quantity of two BW4.



BW3
(Positioned Left)

BW3
(Positioned Right)

MODEL	DESCRIPTION	LIST	WEIGHT
BW3	3 bottle well for 19" deep ice bin	\$48	4#
BW3-2	2 - 3 bottle wells for 19" deep ice bin	\$96	8#
BW3-N	3 bottle well with notch for IB-38x24 ice bin	\$75	4#
BW4	4 bottle well for 24" deep ice bin	\$97	5#
BW4-2	2 - 4 bottle wells for 24" deep ice bin	\$194	10#

Bar Fabrication - Main Line

Bottle Racks

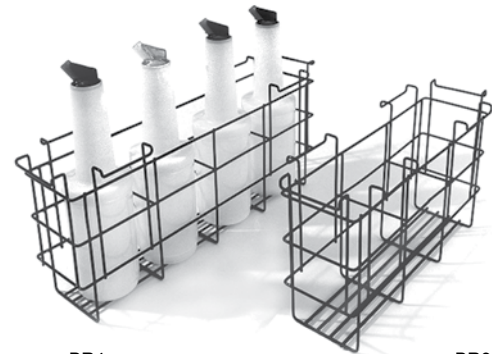
Pricing effective January 1, 2020

BR3 AND BR4 PRODUCT INFORMATION

(see BR Spec Sheet for complete details)

BR3 and BR4 bottle racks are vinyl-coated wire racks that are placed in an ice bin to hold ice-chilled mix-ingredient pour and store bottles. There are two sizes of wire racks: 3 bottle for 19" deep ice bins and four bottle for 24" deep ice bins.

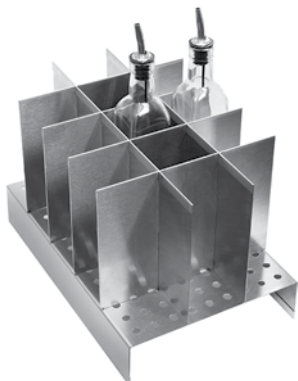
The BR3 and BR4 are intended for use with smaller ice bins, where the sole purpose of the ice bin is to provide insulated storage for pour and store bottles. Bottle racks are most often used with 6" or 12" wide ice bins, which hold one or two racks, respectively. For example, an IBA-6 ice bin holds one BR3, while an IBA-12 ice bin holds two BR3.



BR4
(Bottles not included)

BR3

MODEL	DESCRIPTION	LIST	WEIGHT
BR3	3 bottle rack for 19" deep ice bin	\$47	3#
BR4	4 bottle rack for 24" deep ice bin	\$57	4#



BRM15
(Bottles not included)

BRM15 PRODUCT INFORMATION

(see BRM Spec Sheet for complete details)

The BRM15 stainless steel mixology bottle rack fits into an IBA-12 model ice bin or the bottle well of a CBA model combo ice bin to provide ice-chilled storage for 15 elixir bottles. NOTE: Recommend Tablecraft 916 (16 oz.) or 9085 (8.5 oz.) olive oil bottles.

MODEL	DESCRIPTION	LIST	WEIGHT
BRM15	Mixology bottle rack, 15 bottle, 3" by 3" openings	\$235	3#



SSR-24

SINGLE SPEED RAILS

MODEL	LIST	LENGTH	WEIGHT
SSR-12	\$157	12"	4#
SSR-13 to 18	\$173	13" to 18"	6#
SSR-19 to 24	\$189	19" to 24"	7#
SSR-25 to 30	\$204	25" to 30"	10#
SSR-31 to 36	\$220	31" to 36"	12#
SSR-37 to 42	\$235	37" to 42"	18#
SSR-43 to 48	\$252	43" to 48"	22#
SSR-49 to 54	\$368	49" to 54"	25#
SSR-55 to 60	\$385	55" to 60"	28#
SSR-61 to 66	\$401	61" to 66"	32#
SSR-67 to 72	\$416	67" to 72"	35#
SSR-73 to 78	\$433	73" to 78"	38#
SSR-79 to 84	\$449	79" to 84"	42#

Locking covers for Single Speed Rails include built-in storage hangers when ordered with original equipment



SSRC-36 installed

Built-in storage hangers

SSRC-36 in storage below speed rail

SINGLE SPEED RAIL LOCKING COVERS

MODEL	LIST	LENGTH	WEIGHT
SSRC-12	\$213	12"	7#
SSRC-13 to 18	\$229	13" to 18"	9#
SSRC-19 to 24	\$246	19" to 24"	11#
SSRC-25 to 30	\$266	25" to 30"	13#
SSRC-31 to 36	\$278	31" to 36"	16#
SSRC-37 to 42	\$294	37" to 42"	18#
SSRC-43 to 48	\$311	43" to 48"	21#



DSR-54



DSR-24

DOUBLE SPEED RAILS

MODEL	LIST	LENGTH	WEIGHT
DSR-12	\$311	12"	8#
DSR-13 to 18	\$341	13" to 18"	12#
DSR-19 to 24	\$368	19" to 24"	14#
DSR-25 to 30	\$399	25" to 30"	20#
DSR-31 to 36	\$429	31" to 36"	24#
DSR-37 to 42	\$460	37" to 42"	36#
DSR-43 to 48	\$496	43" to 48"	44#
DSR-49 to 54	\$662	49" to 54"	50#
DSR-55 to 60	\$685	55" to 60"	56#
DSR-61 to 66	\$723	61" to 66"	64#
DSR-67 to 72	\$753	67" to 72"	70#
DSR-73 to 78	\$784	73" to 78"	76#
DSR-79 to 84	\$814	79" to 84"	84#

DOUBLE SPEED RAIL LOCKING COVERS

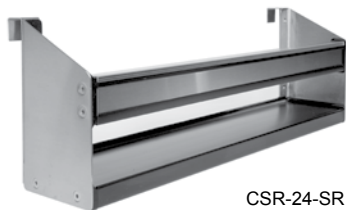
MODEL	LIST	LENGTH	WEIGHT
DSRC-12	\$426	12"	14#
DSRC-13 to 18	\$458	13" to 18"	18#
DSRC-19 to 24	\$492	19" to 24"	22#
DSRC-25 to 30	\$532	25" to 30"	26#
DSRC-31 to 36	\$556	31" to 36"	32#
DSRC-37 to 42	\$588	37" to 42"	36#
DSRC-43 to 48	\$622	43" to 48"	42#

PRODUCT INFORMATION

(see SSR and DSR Spec Sheets for complete details)

STANDARD FEATURES

- All stainless steel construction
- Open channel-and-rail design for easy cleaning and better view of bottles
- PVC sound deadening covers
- Locking covers for Single Speed Rails include built-in storage hangers when ordered with original equipment
- Each rail includes a clear lift-off liquor-identification cover
- Radius corners for easy cleaning



CSR-24-SR

CLIP-ON SINGLE SPEED RAILS

MODEL	DESCRIPTION	LIST	WEIGHT
CSR-12-SR	12" Clip-on single to existing single	\$183	4#
CSR-18-SR	18" Clip-on single to existing single	\$199	6#
CSR-24-SR	24" Clip-on single to existing single	\$215	7#
CSR-30-SR	30" Clip-on single to existing single	\$230	10#
CSR-36-SR	36" Clip-on single to existing single	\$246	12#
CSR-42-SR	42" Clip-on single to existing single	\$262	15#
CSR-48-SR	48" Clip-on single to existing single	\$278	18#

All faucets are certified low lead compliant



BSB-18

DBSB-18



BSA-18-RF

DBSA-12-RF

Rinsing faucet installation notes:

- Important: Unit must be installed in conformance with applicable federal, state, and local plumbing codes, including adequate backflow when required.
- Install in-line water regulator (included).
- A separate shut-off valve is recommended (not included).

PRODUCT INFORMATION

(see BS and DBS Spec Sheets for complete details)

STANDARD FEATURES

- All stainless steel construction
- Adjustable stainless steel bullet feet
- Sink models feature a 9-1/4" by 11-1/2" by 6" deep sink bowl, a lift-out plastic perforated sink strainer and a hot and cold water faucet
- Drainboard models feature drainboard work surface consisting of drain pan with separate removable perforated insert
- "-RF" models include a rinsing faucet for rinsing blender cups
- 24" deep models have a 9" deep shelf
- 29" deep models have a 10" deep shelf
- Junction box for duplex outlet mounted underneath blender shelf (outlet not included)

⚠ WARNING: The plastic wet waste strainer included with this product can expose you to chemicals including Bisphenol A (BPA), which is known to the State of California to cause birth defects or other reproductive harm. For more information, go to www.P65Warnings.ca.gov. **Part #03000483**
Warning applies to State of California only.

Blender Stations come standard with a sink, faucet, and wet waste strainer. Drainboard Blender Stations come standard with a drainboard work surface consisting of a drain pan with separate removable perforated insert.

The integral blender shelf is 9" deep on the 24" deep models and 10" deep on 29" models. The shelf stores the blender at the 19" high level. A grommeted cord access hole is provided in the front skirt.

24" DEEP BLENDER STATIONS

(Aligns with 19" deep underbar that has a single speed rail)

MODEL	LIST	LENGTH	WEIGHT
BSA-12	\$1,449	12"	48#
BSA-14	\$1,433	14"	50#
BSA-18L†	\$1,492	18"	55#
BSA-18R†	\$1,492	18"	55#

† Denotes faucet location as Left or Right

24" DEEP BLENDER STATION WITH RINSER FAUCET

(Aligns with 19" deep underbar that has a single speed rail)

MODEL	LIST	LENGTH	WEIGHT
BSA-18-RF*	\$1,893	18"	60#

29" DEEP BLENDER STATIONS

(Aligns with 24" deep underbar that has a single speed rail or 19" deep underbar that has a double speed rail)

MODEL	LIST	LENGTH	WEIGHT
BSB-12	\$1,547	12"	53#
BSB-14	\$1,595	14"	55#
BSB-18	\$1,678	18"	60#

24" DEEP DRAINBOARD BLENDER STATIONS

(Aligns with 19" deep underbar that has a single speed rail)

MODEL	LIST	LENGTH	WEIGHT
DBSA-12	\$885	12"	40#
DBSA-14*	\$920	14"	42#
DBSA-18*	\$988	18"	45#
DBSA-24*	\$1,090	24"	55#

24" DEEP DRAINBOARD BLENDER STATIONS WITH RINSER FAUCET

(Aligns with 19" deep underbar that has a single speed rail)

MODEL	LIST	LENGTH	WEIGHT
DBSA-12-RF*	\$1,225	12"	45#
DBSA-14-RF*	\$1,262	14"	47#
DBSA-18-RF*	\$1,335	18"	50#

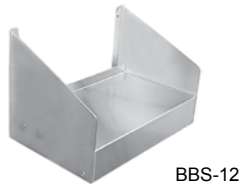
29" DEEP DRAINBOARD BLENDER STATIONS

(Aligns with 24" deep underbar that has a single speed rail or 19" deep underbar that has a double speed rail)

MODEL	LIST	LENGTH	WEIGHT
DBSB-12*	\$936	12"	45#
DBSB-14*	\$973	14"	47#
DBSB-18*	\$1,050	18"	50#

*NOTE: These items are manufactured to order and are not returnable

Blender stations cannot have a speed rail mounted to them. Since speed rails are so common on underbar, blender stations come in 24" and 29" depths and are designed to align with underbar that has a speed rail.



Additional blender shelf space can be added to standard underbar units by specifying a Bolt-on Blender Shelf. Bolt-on Blender Shelves are 10" deep and include a junction box for duplex outlet (outlet not included) mounted below the shelf.

ACCESSORIES			
MODEL	DESCRIPTION	LIST	WT
LS15-F	15" D left side splash (BSA models)	\$111	4#
RS15-F	15" D right side splash (BSA models)	\$111	4#
LS15-D	15" D left side splash (DBSA models)	\$111	4#
RS15-D	15" D right side splash (DBSA models)	\$111	4#
LSA-D	19" deep left end splash (BSB & DBSB models)	\$111	4#
RSA-D	19" deep right end splash (BSB & DBSB models)	\$111	4#
LSRF	Left end splash (-RF models)	\$111	4#
RSRF	Right end splash (-RF models)	\$111	4#
TR	Towel ring	\$14	1#

BOLT-ON BLENDER SHELVES			
MODEL	DESCRIPTION	LIST	WT
BBS-8	8" bolt-on blender shelf	\$214	8#
BBS-12	12" bolt-on blender shelf	\$225	12#
BBS-14	14" bolt-on blender shelf	\$230	14#
BBS-16	16" bolt-on blender shelf	\$238	16#
BBS-18	18" bolt-on blender shelf	\$244	18#
BBS-24	24" bolt-on blender shelf	\$265	28#
BBS-30	30" bolt-on blender shelf	\$281	36#

Pricing effective January 1, 2020

In-Counter Blender Stations*

In-Counter Blender Stations are specifically designed for in-counter blenders. There are three different models to accommodate blender units manufactured by Blendtec®, Hamilton Beach®, and Vita-Mix®. All models are 12" wide and 24" deep with a lowered work surface to allow the use of the sound enclosure available on each model.

PRODUCT INFORMATION

(see IBS Spec Sheet for complete details)

STANDARD FEATURES

- All stainless steel construction
- Adjustable stainless steel bullet feet
- Radius work surface corners for easy cleaning
- One-piece seamless top and backsplash
- Designed with cut-out to accommodate various in-counter blenders



IBS-12-H



IBS-12-B



IBS-12-V

(Blender is not included)

IN-COUNTER BLENDER STATIONS

MODEL	LIST	LENGTH	DEPTH	WEIGHT	ACCOMMODATES
IBS-12-B	\$834	12"	24"	35#	Blendtec™ Smoother, Titan, or ABC In-Counter Blenders
IBS-12-H	\$834	12"	24"	35#	Hamilton Beach™ 91655 In-Counter Commercial Blender
IBS-12-V	\$834	12"	24"	35#	Vita-Mix® In-Counter Touch & Go® Blending Station®

*NOTE: These items are manufactured to order and are not returnable



DBA-18 with optional SSR-18

The work surface of a Glastender drainboard consists of a 1" deep sloped stainless steel drain pan with a separate removable perforated insert. The 1" high perforated insert allows air circulation beneath the glassware, and since the pan is sloped and not the insert, all glassware is stored on a level plane.

NOTE: Drainboards are also available with a flat stainless steel filler board top in lieu of the drainboard top. Substitute an 'F' for the 'D' in the model number when ordering and use the same price. Filler boards are manufactured to order and are not returnable.

PRODUCT INFORMATION

(see DB Spec Sheet for complete details)

STANDARD FEATURES

- All stainless steel construction
- Adjustable stainless steel bullet feet
- 24" deep models provide a larger drainboard storage area, not just a deck extension on the back of the 19" deep model
- One-piece seamless top, front rail and backsplash
- Work surface consists of a drain pan and separate perforated insert for better air circulation
- All storage is on level plane

19" DEEP DRAINBOARDS

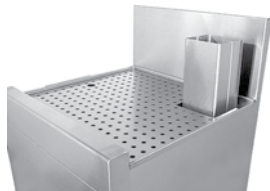
MODEL	LIST	LENGTH	WEIGHT
DBA-12	\$719	12"	45#
DBA-18	\$798	18"	50#
DBA-24	\$884	24"	55#
DBA-30	\$970	30"	60#
DBA-36	\$1,043	36"	65#
DBA-42	\$1,122	42"	70#
DBA-48	\$1,202	48"	75#

24" DEEP DRAINBOARDS

MODEL	LIST	LENGTH	WEIGHT
DBB-12	\$780	12"	50#
DBB-18	\$880	18"	55#
DBB-24	\$976	24"	60#
DBB-30	\$1,075	30"	65#
DBB-36	\$1,160	36"	70#
DBB-42	\$1,254	42"	80#
DBB-48	\$1,348	48"	85#

ACCESSORIES

MODEL	DESCRIPTION	LIST	WEIGHT
SSR-12	12" single speed rail	\$157	4#
SSR-18	18" single speed rail	\$173	6#
SSR-24	24" single speed rail	\$189	7#
SSR-30	30" single speed rail	\$204	10#
SSR-36	36" single speed rail	\$220	12#
SSR-42	42" single speed rail	\$235	18#
SSR-48	48" single speed rail	\$252	22#
DSR-12	12" double speed rail	\$311	8#
DSR-18	18" double speed rail	\$341	12#
DSR-24	24" double speed rail	\$368	14#
DSR-30	30" double speed rail	\$399	20#
DSR-36	36" double speed rail	\$429	24#
DSR-42	42" double speed rail	\$460	36#
DSR-48	48" double speed rail	\$496	44#
TC*	4" X 4" x 6-1/2" H tubing chase	\$181	5#



Tubing Chase accessory added to a drainboard at the factory



DSR-24



SSR-24

*NOTE: Drainboard units with a TC accessory added are manufactured to order and are not returnable

Recessed drainboards have the same drain pan with separate perforated insert design as normal drainboards, except the work surface has been lowered to allow stacking of glassware. A perforated shelf is placed on top of the first level of glassware and a second layer of glassware is stacked on top of it. Recessed drainboards work best when only one style of glassware is being stored.

Recessed drainboards cannot have a speed rail mounted to them. Since speed rails are so common on underbar, recessed drainboards have been designed to align with underbar that has a speed rail. The four different recessed drainboard styles are based on the four different equipment-mounting situations.



RDBA-18S



RDBB-18 with DHSB-12 attached left

24" DEEP RECESSED DRAINBOARDS

(Aligns with 19" deep underbar that has a single speed rail)

MODEL	LIST	LENGTH	WEIGHT
RDBA-12S	\$855	12"	50#
RDBA-18S	\$966	18"	55#
RDBA-24S	\$1,085	24"	60#
RDBA-30S*	\$1,195	30"	65#

24" DEEP RECESSED DRAINBOARDS

(Aligns with 24" deep underbar that has no speed rail)

MODEL	LIST	LENGTH	WEIGHT
RDBB-12	\$855	12"	50#
RDBB-18	\$966	18"	55#
RDBB-24	\$1,085	24"	60#
RDBB-30*	\$1,195	30"	65#



RDBA-18D

*NOTE: These items are manufactured to order and are not returnable



RDBB-18S

29" DEEP RECESSED DRAINBOARDS*

(Aligns with 19" deep underbar that has a double speed rail)

MODEL	LIST	LENGTH	WEIGHT
RDBA-12D*	\$948	12"	60#
RDBA-18D*	\$1,073	18"	65#
RDBA-24D*	\$1,221	24"	70#
RDBA-30D*	\$1,344	30"	75#

29" DEEP RECESSED DRAINBOARDS*

(Aligns with 24" deep underbar that has a single speed rail)

MODEL	LIST	LENGTH	WEIGHT
RDBB-12S*	\$948	12"	60#
RDBB-18S*	\$1,073	18"	65#
RDBB-24S*	\$1,221	24"	70#
RDBB-30S*	\$1,344	30"	75#

PRODUCT INFORMATION

(see IFC and OFC Spec Sheets for complete details)

Corner drainboards are used when an underbar line-up turns, either 90° or less. The direction of the turn may be toward or away from the bartender. A turn that is toward the bartender requires an inside corner. A turn that is away from the bartender requires an outside corner. Corner drainboards are constructed using the same drain pan with separate removable perforated-insert design as all Glastender drainboards.

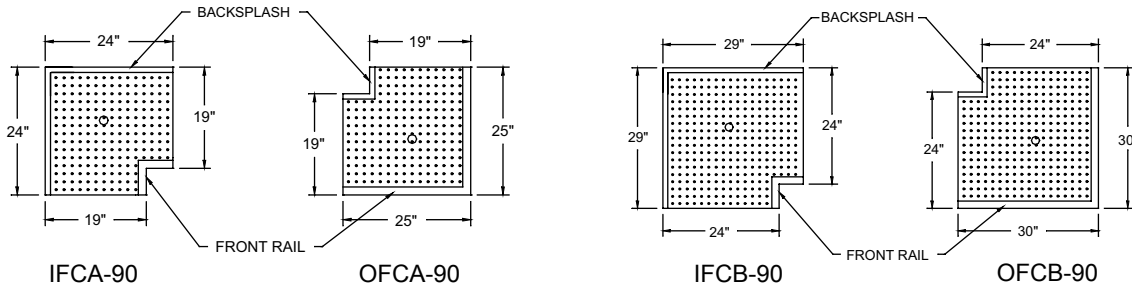


90° FULL CORNER DRAINBOARDS

MODEL	LIST	DEPTH	TURN	WEIGHT
IFCA-90	\$869	19"	Inside	50#
OFCA-90	\$869	19"	Outside	50#
IFCB-90	\$989	24"	Inside	60#
OFCA-90	\$989	24"	Outside	60#

Angular 90° Full Corner Drainboards are for 90° inside or outside turns. They are designed to align with 19" or 24" deep underbar and they come with a front rail to match the front rail adjacent equipment.

Sample 90° Full Corner Drainboard Plan Views



DIMENSIONAL FULL CORNER DRAINBOARDS

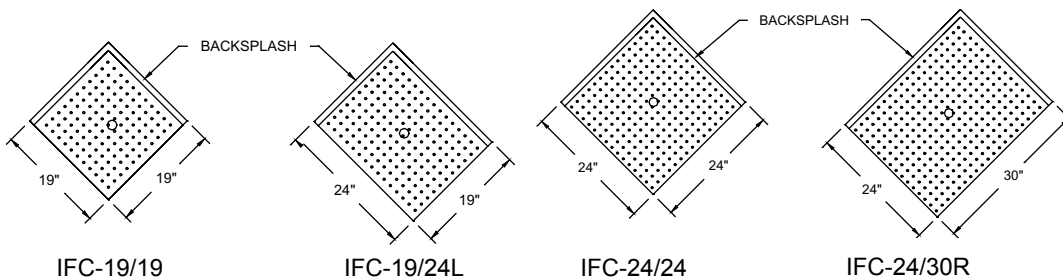
MODEL	LIST	LEFT	RIGHT	WEIGHT
IFC-19/19	\$716	19"	19"	40#
IFC-19/24L	\$797	24"	19"	45#
IFC-19/24R	\$797	19"	24"	45#
IFC-19/30L	\$875	30"	19"	50#
IFC-19/30R	\$875	19"	30"	50#
IFC-24/24	\$869	24"	24"	50#
IFC-24/30L	\$947	30"	24"	60#
IFC-24/30R	\$947	24"	30"	60#

Dimensional Full Corner Drainboards are for 90° inside turns only. The dimensions of the corner are specified in the model number. If the dimensions of each side are not the same, the longest dimension is specified second along with its location. See sample drawings.



IFC-24/24

Sample Dimensional Full Corner Drainboard Plan Views

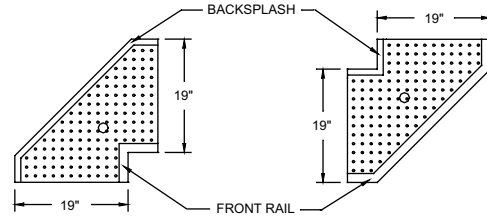


Clip Corner Drainboards are for 90° and smaller inside and outside turns. They are designed to align with 19" or 24" deep underbar and they come with a front rail to match adjacent equipment. The difference between 90° Clip Corners and 90° Full Corners is that the rear has a larger chamfer. See sample drawings.



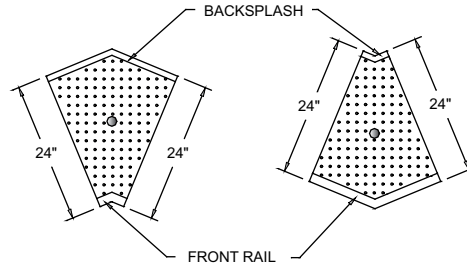
ICCA-45

Sample Dimensional Full Corner Drainboard Plan Views



ICCA-90
(Plan View)

OCCA-90
(Plan View)



ICCB-45
(Plan View)

OCCB-45
(Plan View)

19" DEEP CLIP CORNER DRAINBOARDS

MODEL	LIST	DEGREE	TURN	WEIGHT
ICCA-90	\$869	90°	Inside	50#
OCCA-90	\$869	90°	Outside	50#
ICCA-75	\$783	75°	Inside	45#
OCCA-75	\$783	75°	Outside	45#
ICCA-60	\$704	60°	Inside	40#
OCCA-60	\$704	60°	Outside	40#
ICCA-45	\$634	45°	Inside	36#
OCCA-45	\$634	45°	Outside	36#
ICCA-30	\$571	30°	Inside	33#
OCCA-30	\$571	30°	Outside	33#
ICCA-15	\$513	15°	Inside	30#
OCCA-15	\$513	15°	Outside	30#

24" DEEP CLIP CORNER DRAINBOARDS

MODEL	LIST	DEGREE	TURN	WEIGHT
ICCB-90	\$989	90°	Inside	55#
OCCB-90	\$989	90°	Outside	55#
ICCB-75	\$891	75°	Inside	50#
OCCB-75	\$891	75°	Outside	50#
ICCB-60	\$800	60°	Inside	45#
OCCB-60	\$800	60°	Outside	45#
ICCB-45	\$719	45°	Inside	40#
OCCB-45	\$719	45°	Outside	40#
ICCB-30	\$649	30°	Inside	37#
OCCB-30	\$649	30°	Outside	37#
ICCB-15	\$584	15°	Inside	35#
OCCB-15	\$584	15°	Outside	35#



IFC-24/24 with CB-LEG
shown with FSB-48
attached left

Does your Corner Drainboard need a full side and leg set?

Corner drainboards are designed to mount between two pieces of underbar. However, corner drainboards can be used to mount between any two stable vertical surfaces. Corners should not be mounted to objects that are mobile or on casters. Because they are intended to mount between two vertical surfaces, corner drainboards do not come free standing with finished sides and leg sets. If one side of the corner does not have a vertical surface on which to mount, then a side and leg set must be ordered as an accessory.

FULL SIDE AND LEG SET ACCESSORIES

MODEL	LIST	DEPTH	WEIGHT
CA-LEG	\$189	19"	6#
CB-LEG	\$210	24"	7#

PRODUCT INFORMATION

(see ICC and OCC Spec Sheets for complete details)

STANDARD FEATURES

- All stainless steel construction
- 36 different standard models to choose from
- Work surface consists of a drain pan and separate perforated insert for better air circulation
- All storage is on level plane

Glassracks are designed to hold three racks of glassware: one on the bottom shelf and one on each of the two adjustable glass rack slides. The 24" wide models hold 20" by 20" racks and the 18" wide models hold the 16" round racks used with the Glastender GT-18 glasswashers.

PRODUCT INFORMATION

(see GR Spec Sheet for complete details)

STANDARD FEATURES

- All stainless steel construction
- Adjustable stainless steel bullet feet
- Full bottom shelf with drain
- Two adjustable glass rack slides
- Storage for three (3) glassracks

*NOTE: These items are manufactured to order and are not returnable



GRA-24

19" DEEP GLASSRACKS

MODEL	LIST	LENGTH	WEIGHT
GRA-18*	\$1,147	18"	60#
GRA-24	\$1,271	24"	70#

24" DEEP GLASSRACKS

MODEL	LIST	LENGTH	WEIGHT
GRB-18*	\$1,283	18"	70#
GRB-24	\$1,413	24"	80#

Bar Fabrication - Main Line

Drainboard Glassracks

Pricing effective January 1, 2020

Drainboard Glassracks have a stationary or roll-out bottom shelf, adjustable or roll-out intermediate shelf, and drainboard work surface. All models are 24" deep. The 24" wide models hold 20" by 20" racks and the 18" wide model holds the 16" round racks used with the Glastender GT-18 glasswashers. Since drainboard glassrack shelves are solid, they can be used for non-glassrack storage also. (If a 19" deep drainboard glassrack is required, please see 19" deep drainboard cabinets less doors on page 36.)

PRODUCT INFORMATION

(see DBGR Spec Sheet for complete details)

STANDARD FEATURES

- All stainless steel construction
- Adjustable stainless steel bullet feet
- One-piece seamless top, front rail and backsplash
- DBGR-18 and DBGR-24 have bottom shelf and one adjustable intermediate shelf
- DBGR-24-RS has roll-out bottom shelf and one roll-out intermediate shelf (intermediate shelf is not adjustable)
- Solid shelves are also usable for non-glassrack storage
- Work surface consists of a drainboard top with drain pan and separate perforated insert for better air circulation
- Intermediate shelf is still removable after unit is plumbed
- Smooth interior walls for easy cleaning and a finished appearance



DBGR-24-RS
(Glassrack not included)

DBGR-18

24" DEEP DRAINBOARD GLASSRACKS

MODEL	LIST	LENGTH	WEIGHT
DBGR-18	\$1,404	18"	80#
DBGR-24	\$1,552	24"	90#
DBGR-24-RS	\$2,272	24"	100#



DBCB-18

Drainboard Cabinets have a bottom shelf, adjustable intermediate shelf, and drainboard work surface. They are available with or without doors. The models with doors come with a lock standard. The 12", 18", and 24" wide models have one door and all other models have two doors.

NOTE: Drainboard Cabinets are also available with a flat stainless steel filler board top in lieu of the drainboard top. Substitute an 'F' for the 'D' in the model number when ordering and use the same price. Filler boards cabinets are manufactured to order and are not returnable.

PRODUCT INFORMATION

(see DBC Spec Sheet for complete details)

STANDARD FEATURES

- All stainless steel construction
- Adjustable stainless steel bullet feet
- One-piece seamless top, front rail and backsplash
- One bottom shelf and one adjustable intermediate shelf
- Shelves are removable and feature radius corners for easy cleaning
- Available with or without doors
- Doors feature integral handle
- Lock standard on models with doors
- Work surface consists of a drainboard top with drain pan and separate perforated insert for better air circulation
- Floor and intermediate shelf are still removable after unit is plumbed
- Smooth interior walls for easy cleaning and a finished appearance

Bar Fabrication - Main Line

19" DEEP DRAINBOARD CABINETS

MODEL	LIST	LENGTH	WEIGHT
DBCA-12	\$1,490	12"	75#
DBCA-18	\$1,680	18"	85#
DBCA-24	\$1,872	24"	95#
DBCA-30	\$2,103	30"	105#
DBCA-36	\$2,293	36"	115#
DBCA-42*	\$2,485	42"	125#
DBCA-48*	\$2,676	48"	135#

24" DEEP DRAINBOARD CABINETS

MODEL	LIST	LENGTH	WEIGHT
DBCB-12	\$1,514	12"	85#
DBCB-18	\$1,715	18"	95#
DBCB-24	\$1,914	24"	105#
DBCB-30	\$2,161	30"	115#
DBCB-36	\$2,361	36"	125#
DBCB-42*	\$2,560	42"	135#
DBCB-48*	\$2,762	48"	145#

19" DEEP DRAINBOARD CABINETS LESS DOORS

MODEL	LIST	LENGTH	WEIGHT
DBCA-12-LD	\$1,213	12"	60#
DBCA-18-LD	\$1,348	18"	70#
DBCA-24-LD	\$1,485	24"	80#
DBCA-30-LD	\$1,621	30"	90#
DBCA-36-LD	\$1,757	36"	100#
DBCA-42-LD*	\$1,893	42"	110#
DBCA-48-LD*	\$2,031	48"	120#

24" DEEP DRAINBOARD CABINETS LESS DOORS

MODEL	LIST	LENGTH	WEIGHT
DBCB-12-LD	\$1,256	12"	70#
DBCB-18-LD	\$1,404	18"	80#
DBCB-24-LD	\$1,552	24"	90#
DBCB-30-LD	\$1,697	30"	100#
DBCB-36-LD	\$1,844	36"	110#
DBCB-42-LD*	\$1,991	42"	120#
DBCB-48-LD*	\$2,141	48"	130#

*NOTE: These items are manufactured to order and are not returnable



DBHA-18-LD

PRODUCT INFORMATION

(see DBH Spec Sheet for complete details)

STANDARD FEATURES: All stainless steel construction • Adjustable stainless steel bullet feet • One-piece seamless top, front rail and backsplash • Available with or without a door • Door features integral handle • Lock standard on models with a door • Work surface consists of a drainboard top with drain pan and separate perforated insert for better air circulation • Floor is still removable after unit is plumbed and includes radius corners for easy cleaning • Smooth interior walls for easy cleaning and a finished appearance

Drainboard Half Cabinets increase the available storage area yet are still on 16" legs allowing room for cleaning underneath. Drainboard Half Cabinets have a bottom shelf and drainboard work surface. They are available with or without a door (use suffix '-LD' for models without a door). The models with a door include a lock standard.

NOTE: Drainboard Half Cabinets are also available with a flat stainless steel filler board top in lieu of the drainboard top. Substitute an 'F' for the 'D' in the model number when ordering and use the same price.

19" DEEP DRAINBOARD HALF CABINETS

MODEL	LIST	DOOR	LENGTH	WEIGHT
DBHA-12	\$1,043	Yes	12"	50#
DBHA-18	\$1,154	Yes	18"	55#
DBHA-24	\$1,288	Yes	24"	60#
DBHA-12-LD	\$894	No	12"	40#
DBHA-18-LD	\$996	No	18"	45#
DBHA-24-LD	\$1,112	No	24"	50#

24" DEEP DRAINBOARD HALF CABINETS

MODEL	LIST	DOOR	LENGTH	WEIGHT
DBHB-12	\$1,168	Yes	12"	60#
DBHB-18	\$1,283	Yes	18"	65#
DBHB-24	\$1,425	Yes	24"	70#
DBHB-12-LD	\$1,010	No	12"	50#
DBHB-18-LD	\$1,112	No	18"	55#
DBHB-24-LD	\$1,244	No	24"	60#

*NOTE: Drainboard Cabinets are manufactured to order and are not returnable

Drainboard Drawer Units*



DBDA-18

PRODUCT INFORMATION

(see DBD Spec Sheet for complete details)

STANDARD FEATURES: All stainless steel construction • Adjustable stainless steel bullet feet • One-piece seamless top, front rail and backsplash • Heavy duty drawer slides • Drawers feature integral handle • Lock standard • Work surface consists of a drainboard top with drain pan and separate perforated insert for better air circulation • Cabinet storage without sacrificing ability to have a speed rail†

Drainboard Drawer Units have a locking drawer and drainboard work surface. This allows for more storage space without sacrificing the ability to have a speed rail. The drawer pan is also removable for thorough cleaning.

NOTE: Drainboard Drawer Units are also available with a flat stainless steel filler board top in lieu of the drainboard top. Substitute an 'F' for the 'D' in the model number when ordering and use the same price.

† Special speed rails are required for use with drawer units. See accessories below.

19" DEEP DRAINBOARD DRAWER UNITS

MODEL	LIST	LENGTH	WEIGHT
DBDA-18	\$1,832	18"	60#
DBDA-24	\$2,040	24"	65#
DBDA-30	\$2,272	30"	70#

24" DEEP DRAINBOARD DRAWER UNITS

MODEL	LIST	LENGTH	WEIGHT
DBDB-18	\$2,033	18"	65#
DBDB-24	\$2,264	24"	70#
DBDB-30	\$2,509	30"	75#

*NOTE: Drainboard Drawer Units are manufactured to order and are not returnable

SPEED RAIL ACCESSORIES

MODEL	LIST	LENGTH	WEIGHT
SSR-18-D	\$186	18"	6#
SSR-24-D	\$203	24"	7#
SSR-30-D	\$218	30"	10#



ACB-18
(Shown without attached equipment)

PRODUCT INFORMATION

(see ACB Spec Sheet for complete details)

The Add-On Cabinet Base is designed to be installed beneath standard underbar equipment to provide additional storage • It can also enhance the look of your bar by eliminating the need to store loose items on the floor and making plumbing less visible • The Add-On Cabinet Base features a stainless steel floor that does not go all the way to the back of the cabinet, which provides an access opening for plumbing • The removable stainless steel floor has radius corners for easy cleaning • The interior walls are dual panel constructed for an easy to clean, smooth interior



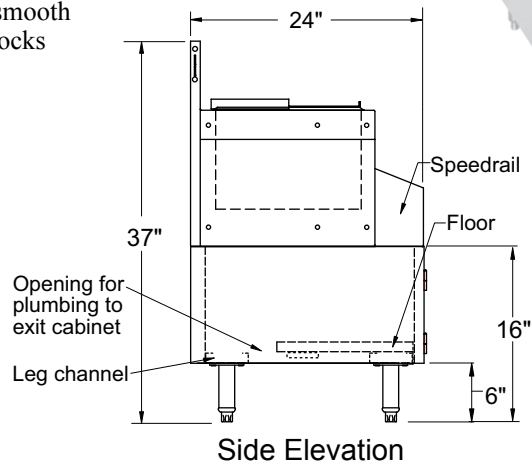
ACB-18 with LDA-18S attached

STANDARD FEATURES: All stainless steel construction • Can be mounted below any standard underbar unit • Enhance the look of your bar by making the plumbing less visible • Increase your available storage space by taking advantage of the area below your underbar • Includes a removable half floor to allow plumbing access out the bottom of the cabinet • Floor has radius corners for easy cleaning • Dual wall construction for smooth interior • Add-On Cabinet Bases do not come with door locks

ADD-ON CABINET BASES

MODEL	LIST	DOOR	LENGTH	WEIGHT
ACB-12	\$638	One	12"	20#
ACB-14	\$668	One	14"	22#
ACB-18	\$719	One	18"	25#
ACB-24	\$825	Two	24"	30#
ACB-30	\$931	Two	30"	35#
ACB-36	\$1,034	Two	36"	40#
ACB-42	\$1,140	Two	42"	45#
ACB-48	\$1,245	Two	48"	50#

*NOTE: Add-On Cabinet Bases are manufactured to order and are not returnable



Bar Fabrication - Main Line



PCB-24

PRODUCT INFORMATION

(see PCB Spec Sheet for complete details)

Available in 18" and 24" lengths, POS Cabinets have a 26" high work surface to accommodate a cash drawer and POS monitor • Left and right side splashes are standard as well as a louvered door to ventilate the storage cabinet • The work surface includes a grommated cord access hole

STANDARD FEATURES

- All stainless steel construction with adjustable bullet feet
- One-piece, seamless top and backsplash
- Louvered door features integral handle
- Door lock standard
- Special 26" high work surface height to accommodate cash drawer and POS monitor
- Grommated cord access hole in work surface
- Large access hole in back wall of unit
- Includes left and right side splashes
- Smooth interior walls for easy cleaning and a finished appearance

24" DEEP POS CABINETS

MODEL	LIST	LENGTH	WEIGHT
PCB-18	\$2,083	18"	80#
PCB-24	\$2,272	24"	90#

All faucets are certified low lead compliant

PRODUCT INFORMATION

(see HS, SW, SW Cabinets, and FS12 Spec Sheets for complete details)

STANDARD FEATURES: Manufactured with total welded construction to meet NSF® standards • All stainless steel construction • One-piece seamless top and backsplash featuring 1/4" radius corners for easy cleaning • Adjustable stainless steel bullet feet • 9-1/4" by 11-1/2" by 6" deep sink bowl with hot and cold water gooseneck faucet with 2.0 GPM aerator • Faucets are standard and ship mounted • Models HSA-12-D, HSB-12-D, and HSB-12-AD feature a soap dispenser and front-skirt-mounted C-fold paper towel dispenser • Models DHS-18, DHSB-12, and DHSB-18 feature a soap dispenser and hinged front-access door to conceal C-fold paper towel dispenser • All wet waste sink models include a lift-out perforated-plastic wet waste strainer • Soap dispenser is easily refilled from above, no need to crawl under equipment



HSA-12



HSA-12-D



HSA-12-D with LSA-D and RSA-D

Single bowl sinks are available as hand sinks and wet waste sink models. Hand sink models HSA-12, HSA-18, HSB-12, and HSB-18 feature a standard stainless steel bowl and mounted faucet.

Hand sink models HSA-12-D, HSB-12-D, and HSB-12-AD include a soap dispenser and front-skirt-mounted C-fold paper towel dispenser.

Hand sink models DHS-18, DHSB-12, and DHSB-18 feature a soap dispenser and hinged front-access door to conceal C-fold paper towel dispenser. Paper towels are easily accessed below the door. The access door is only opened for re-loading paper towels into the dispenser.

Wet waste sink models SWA-12, SWA-18, and SWB-18 include a lift-out perforated plastic wet waste strainer.

Bar Fabrication - Main Line

19" DEEP HAND SINKS

MODEL	LIST	LENGTH	WEIGHT
HSA-12	\$1,244	12"	45#
HSA-18	\$1,262	18"	50#
HSA-12-D	\$1,462	12"	50#
DHSA-18	\$1,736	18"	60#

19" DEEP WET WASTE SINKS

MODEL	LIST	LENGTH	WEIGHT
SWA-12	\$1,286	12"	47#
SWA-18	\$1,304	18"	52#

ACCESSORIES

MODEL	DESCRIPTION	LIST	WEIGHT
SSR-12†	12" single speed rail	\$157	4#
SSR-18†	18" single speed rail	\$173	6#
DSR-12†	12" double speed rail	\$311	8#
DSR-18†	18" double speed rail	\$341	12#
03000483	Wet waste sink strainer	\$42	2#
TR	Towel ring	\$14	1#
DWR-12†	Dry waste rail	\$164	6#
03000511	Wrist handles (set of two)	\$35	2#
DWC	Trash receptacle, stainless steel	\$367	10#
03005491	Trash receptacle, 28½ qt, gray plastic	\$53	5#
LSA-D	19" deep left end splash	\$111	4#
RSA-D	19" deep right end splash	\$111	4#
LSB-D	24" deep left end splash	\$130	5#
RSB-D	24" deep right end splash	\$130	5#
TD-C♦	Paper towel dispenser, C-fold	\$201	5#
03001873	Liquid soap dispenser, hand-pump	\$58	1#
03014739	Aerator, faucet, 1.5 GPM	\$10	1#
03014738	Aerator, faucet, 0.5 GPM	\$10	1#
03014737	Aerator, faucet, 0.2 GPM	\$10	1#



LSA-D and RSA-D

TR

†NOTE: Speed rails and dry waste rails cannot be mounted to models:

- HSA-12-D
- DHS-18
- HSB-12-D
- HSB-12-AD
- DHSB-12
- DHSB-18
- SWB-12-C
- SWB-18-DW
- SWB-18-DB
- SWB-24L-C
- SWB-24R-C

♦NOTE: TD-C Paper towel dispenser cannot be mounted to models:

- SWB-12-C
- SWB-18-DW
- SWB-18-DB
- SWB-24L-C
- SWB-24R-C

⚠ WARNING: The plastic wet waste strainer included with this product can expose you to chemicals including Bisphenol A (BPA), which is known to the State of California to cause birth defects or other reproductive harm. For more information, go to www.P65Warnings.ca.gov.
Warning applies to State of California only. Part #03000483

24" DEEP HAND SINKS

MODEL	LIST	LENGTH	WEIGHT
HSB-12	\$1,301	12"	50#
HSB-18	\$1,365	18"	55#
HSB-12-D	\$1,526	12"	55#
HSB-12-AD	\$1,557	12"	55#
DHSB-12	\$1,716	12"	60#
DHSB-18	\$1,808	18"	70#

All faucets are certified low lead compliant



SWB-12



HSB-12-AD



DHSB-12

24" DEEP WET WASTE SINKS

MODEL	LIST	LENGTH	WEIGHT
SWB-12	\$1,343	12"	52#
SWB-18	\$1,407	18"	57#



Patent Pending

FS12 - The Fusion Sink is a combination hand sink and wet waste sink. The tiered unit includes an upper hand sink with

faucet and soap dispenser, a lower sink with lift-out perforated plastic wet waste strainer, and side splashes. The upper sink drains into the lower sink to help melt ice. A front-flush C-fold paper towel dispenser is included in the front skirt.



SWB-12-C - Includes a sink with faucet and lift-out perforated plastic wet waste strainer and cabinet base with hinged access door for storing up to three one-gallon chemical containers.

24" DEEP MULTI-PURPOSE SINKS

MODEL	LIST	LENGTH	WEIGHT
FS12	\$2,744	12"	75#
SWB-12-C	\$1,951	12"	75#
SWB-18-DW	\$2,184	18"	85#
SWB-18-DB	\$1,759	18"	65#
SWB-24L-C*	\$2,600	24"	105#
SWB-24R-C*	\$2,600	24"	105#

*L = Sink Left, R = Sink Right



SWB-18-DW - Includes a sink with faucet and lift-out perforated plastic wet waste strainer, dry waste chute and cabinet base with hinged access door for storing a trash receptacle. A stainless (DWC) or plastic (03005391) trash receptacle is offered as a separate accessory.



SWB-18-DB - Tiered unit includes an upper drainboard deck for storing glassware and a lower sink with a faucet and lift-out perforated plastic wet waste strainer.



SWB-24L-C - Dual purpose work surface is half drainboard and half sink. Includes a faucet and lift-out perforated plastic wet waste strainer. The open-front cabinet base includes a center divider wall for storing up to three one-gallon chemical containers on one side and dry storage on the other.

WARNING: The plastic wet waste strainer included with this product can expose you to chemicals including Bisphenol A (BPA), which is known to the State of California to cause birth defects or other reproductive harm. For more information, go to www.P65Warnings.ca.gov. **Warning applies to State of California only.** Part #03000483

Bar Fabrication - Main Line

All faucets are certified low lead compliant

PRODUCT INFORMATION

(see DS, TS, and FS Spec Sheets for complete details)

- Multiple Sinks come in three different varieties: two, three, and four compartment
- They feature an exclusive one-piece 18 gauge stainless steel top that is seamless from the front rail all the way through the backsplash
- Each variety is offered with or without built-in drainboards on one or both sides of the sink compartment
- Drainboards, where included, are a seamless and integral part of the work surface
- The seamless welded bowls are 16 gauge fabricated stainless steel
- An 'L' or 'R' suffix in the model number designates the location of the sink compartment as left or right when there is only one drainboard

STANDARD FEATURES

- All stainless steel construction and stainless steel bullet feet
- One-piece seamless top, front rail and backsplash
- 16 gauge stainless steel fabricated sink bowls
- 19" deep models have a backsplash mounted faucet
- Integral drainboards have lift-out stainless steel perforated insert
- Perforated stainless steel inserts are available to cover sinks when not in use
- Includes one overflow tube per bowl

TWO COMPARTMENT SINKS WITH STAINLESS SINK SECTION

19" DEEP		24" DEEP		OVERALL LENGTH	SINK LOCATION	DRAINBOARD LENGTH	WEIGHT
MODEL	LIST	MODEL	LIST				
DSA-24-S*	\$2,209	DSB-24-S*	\$2,204	24"	Center	N/A	90#
DSA-36L-S*	\$2,406	DSB-36L-S*	\$2,423	36"	Left	12"	100#
DSA-36R-S*	\$2,406	DSB-36R-S*	\$2,423	36"	Right	12"	100#
DSA-48-S*	\$2,576	DSB-48-S*	\$2,656	48"	Center	2 @ 12"	110#

THREE COMPARTMENT SINKS WITH STAINLESS SINK SECTION

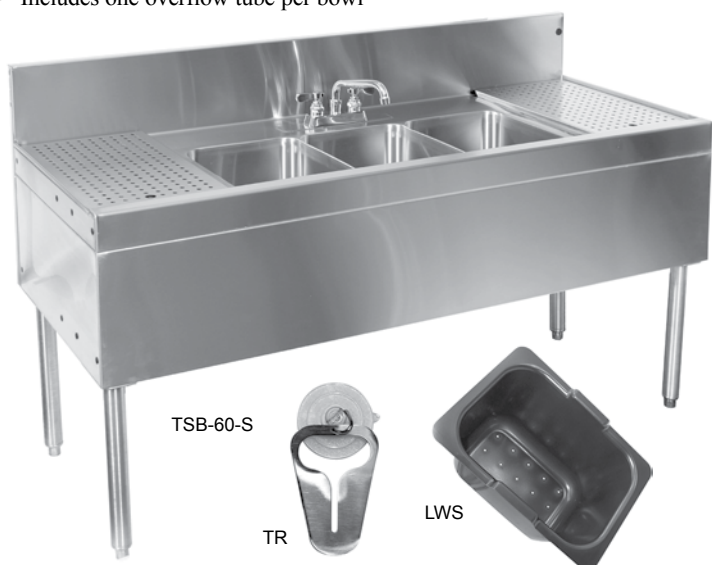
19" DEEP		24" DEEP		OVERALL LENGTH	SINK LOCATION	DRAINBOARD LENGTH	WEIGHT
MODEL	LIST	MODEL	LIST				
TSA-36-S	\$2,554	TSB-36-S	\$2,572	36"	Center	N/A	110#
TSA-48L-S*	\$2,727	TSB-48L-S*	\$2,789	48"	Left	12"	120#
TSA-48R-S*	\$2,727	TSB-48R-S*	\$2,789	48"	Right	12"	120#
TSA-60-S	\$2,916	TSB-60-S	\$3,011	60"	Center	2 @ 12"	130#
TSA-60L-S*	\$2,916	TSB-60L-S*	\$3,011	60"	Left	24"	130#
TSA-60R-S*	\$2,916	TSB-60R-S*	\$3,011	60"	Right	24"	130#
TSA-66L-S*	\$2,988	TSB-66L-S*	\$3,103	66"	Left	30"	140#
TSA-66R-S*	\$2,988	TSB-66R-S*	\$3,103	66"	Right	30"	140#
TSA-72-S	\$3,068	TSB-72-S	\$3,192	72"	Center	2 @ 18"	145#
TSA-84-S*	\$3,280	TSB-84-S*	\$3,441	84"	Center	2 @ 24"	160#
TSA-96-S*	\$3,450	TSB-96-S*	\$3,648	96"	Center	2 @ 30"	175#

FOUR COMPARTMENT SINKS WITH STAINLESS SINK SECTION

19" DEEP		24" DEEP		OVERALL LENGTH	SINK LOCATION	DRAINBOARD LENGTH	WEIGHT
MODEL	LIST	MODEL	LIST				
FSA-48-S	\$3,140	FSB-48-S	\$3,184	48"	Center	N/A	125#
FSA-60L-S*	\$3,315	FSB-60L-S*	\$3,393	60"	Left	12"	140#
FSA-60R-S*	\$3,315	FSB-60R-S*	\$3,393	60"	Right	12"	140#
FSA-66L-S*	\$3,400	FSB-66L-S*	\$3,499	66"	Left	18"	150#
FSA-66R-S*	\$3,400	FSB-66R-S*	\$3,499	66"	Right	18"	150#
FSA-72-S	\$3,505	FSB-72-S	\$3,599	72"	Center	2 @ 12"	155#
FSA-72L-S*	\$3,505	FSB-72L-S*	\$3,599	72"	Left	24"	155#
FSA-72R-S*	\$3,505	FSB-72R-S*	\$3,599	72"	Right	24"	155#
FSA-84-S*	\$3,704	FSB-84-S*	\$3,843	84"	Center	2 @ 18"	170#
FSA-96-S*	\$3,878	FSB-96-S*	\$4,046	96"	Center	2 @ 24"	185#

ACCESSORIES

MODEL	DESCRIPTION	LIST	WGT
SSR-24	24" single speed rail	\$189	7#
SSR-36	36" single speed rail	\$220	12#
SSR-48	48" single speed rail	\$252	18#
SSR-60	60" single speed rail	\$385	28#
SSR-66	66" single speed rail	\$401	32#
SSR-72	72" single speed rail	\$416	35#
SSR-84	84" single speed rail	\$449	42#
DSR-24	24" double speed rail	\$368	14#
DSR-36	36" double speed rail	\$429	24#
DSR-48	48" double speed rail	\$496	44#
DSR-60	60" double speed rail	\$685	56#
DSR-66	66" double speed rail	\$723	64#
DSR-72	72" double speed rail	\$753	70#
DSR-84	84" double speed rail	\$814	84#
TR	Towel ring	\$14	1#
LWS	Large wet waste strainer	\$108	2#
DWR-12	Dry waste rail	\$164	6#
03002552	Sink cover, perforated for DSA or DSB	\$108	5#
03002553	Sink cover, perforated for TSA or TSB	\$161	8#
03002554	Sink cover, perforated for FSA or FSB	\$216	12#



*NOTE: These Multiple Sink Units are manufactured to order and are not returnable

Bar Fabrication - Main Line

All faucets are certified low lead compliant

⚠️ WARNING: The plastic wet waste strainer included with this product can expose you to chemicals including Bisphenol A (BPA), which is known to the State of California to cause birth defects or other reproductive harm. For more information, go to www.P65Warnings.ca.gov. **Warning applies to State of California only.** Part #03000483

PRODUCT INFORMATION
(see Mixology Units Spec Sheet for complete details)

STANDARD FEATURES

- Manufactured with total welded construction to meet NSF® standards
- All stainless steel construction
- One-piece seamless top and backsplash featuring 1/4" radius corners for easy cleaning
- Adjustable stainless steel bullet feet (does not include MFT-8)
- All faucets are shipped mounted



MRS-12

MRS-12 MIXOLOGY UNIT

Includes 9-1/4" by 11-1/2" by 6" deep sink, backsplash-mounted faucet, lift-out perforated plastic sink strainer, and push-down rinser faucet.

MODEL	LIST	LENGTH	WEIGHT
MRS-12	\$1,720	12"	55#

MTS-14 MIXOLOGY UNIT

Includes 9-1/4" by 11-1/2" by 6" deep sink, backsplash-mounted faucet, lift-out perforated plastic sink strainer, push-down rinser faucet, and 6" diameter mixology tool well with faucet.

MODEL	LIST	LENGTH	WEIGHT
MTS-14	\$2,542	14"	55#



MTS-14



MFS-12

MFS-12 MIXOLOGY UNIT

Includes 9-1/4" by 11-1/2" by 6" deep sink, backsplash-mounted faucet, lift-out perforated plastic sink strainer, and 8" by 11" securely mounted and easily removable cutting board.

MODEL	LIST	LENGTH	WEIGHT
MFS-12	\$1,598	12"	55#

MFT-8 MIXOLOGY UNIT

Includes 6" diameter mixology tool well with faucet, push-down rinser faucet, and 7-1/2" by 7-1/2" securely mounted and easily removable cutting board. NOTE: No legs. Must mount to adjacent underbar.

MODEL	LIST	LENGTH	WEIGHT
MFT-8	\$1,701	8"	40#

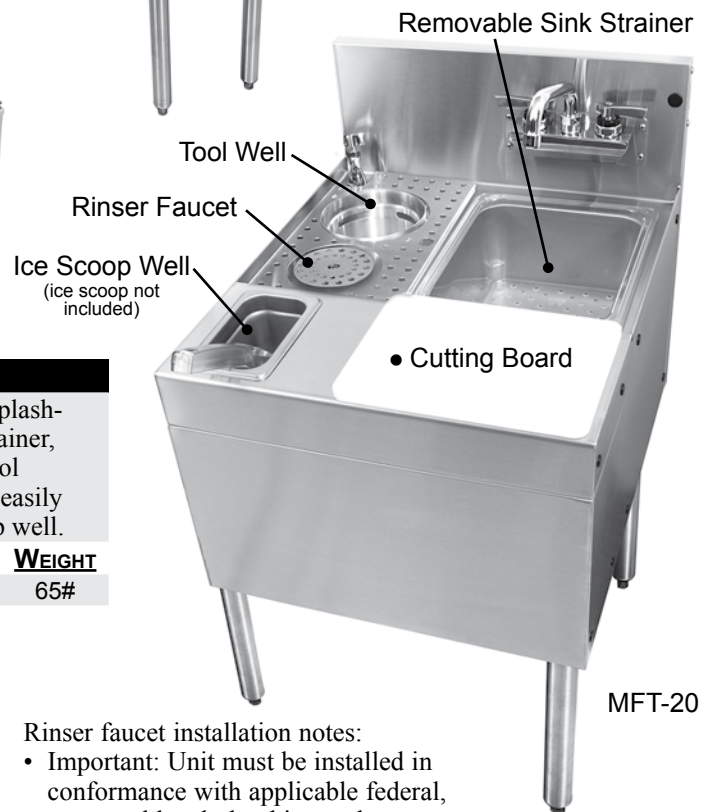


MFT-8

MFT-20 MIXOLOGY UNIT

Includes 9-1/4" by 11-1/2" by 6" deep sink, backsplash-mounted faucet, lift-out perforated plastic sink strainer, push-down rinser faucet, 6" diameter mixology tool well with faucet, 8" by 11" securely mounted and easily removable cutting board, and removable ice scoop well.

MODEL	LIST	LENGTH	WEIGHT
MFT-20	\$2,787	20"	65#



MFT-20

ACCESSORIES

MODEL	DESCRIPTION	LIST	WEIGHT
LSM	Left end splash, MFS-12, MFT-8 or MFT-20	\$111	4#
RSM	Right end splash, MFS-12, MFT-8 or MFT-20	\$111	4#
LSB-D	24" deep left end splash	\$130	5#
RSB-D	24" deep right end splash	\$130	5#

Rinser faucet installation notes:

- Important: Unit must be installed in conformance with applicable federal, state, and local plumbing codes, including adequate backflow when required.
- Install in-line water regulator (included).
- A separate shut-off valve is recommended (not included).

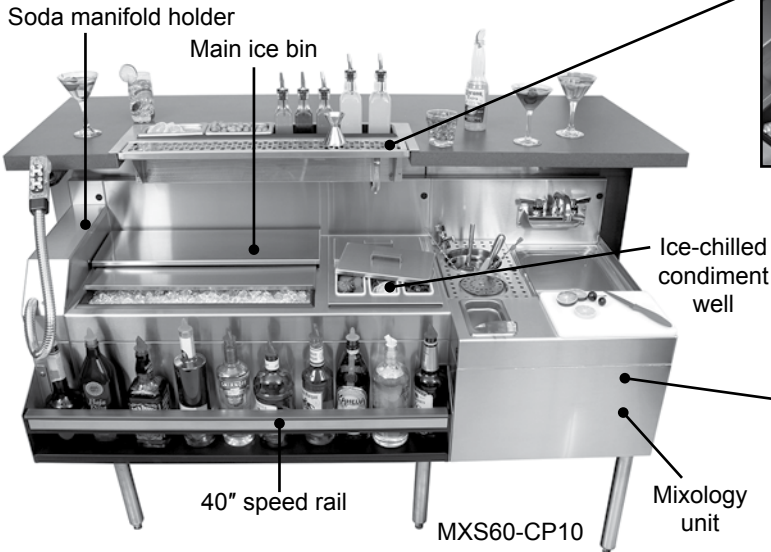
Bar Fabrication - Main Line

All faucets are certified low lead compliant

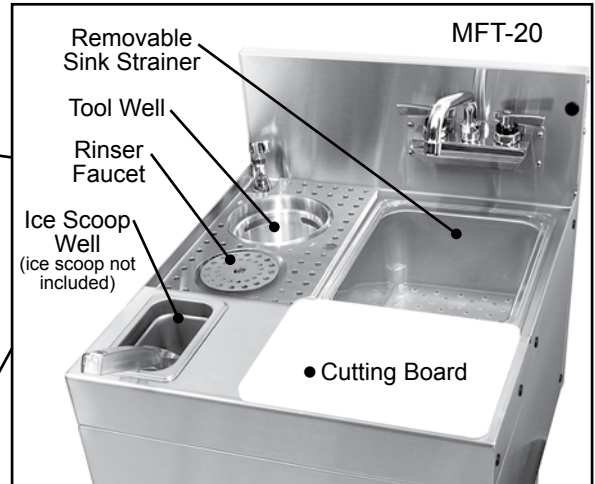
Mixology Stations include the following standard features:

- 4" soda manifold holder
- 24" main ice bin liner
- 12" condiment well
- Single speed rail
- 20" mixology unit

*NOTE: Mixology stations are manufactured to order and are not returnable



Drop-in mixology drink rail
(See next page for drop-in mixology wells)



PRODUCT INFORMATION

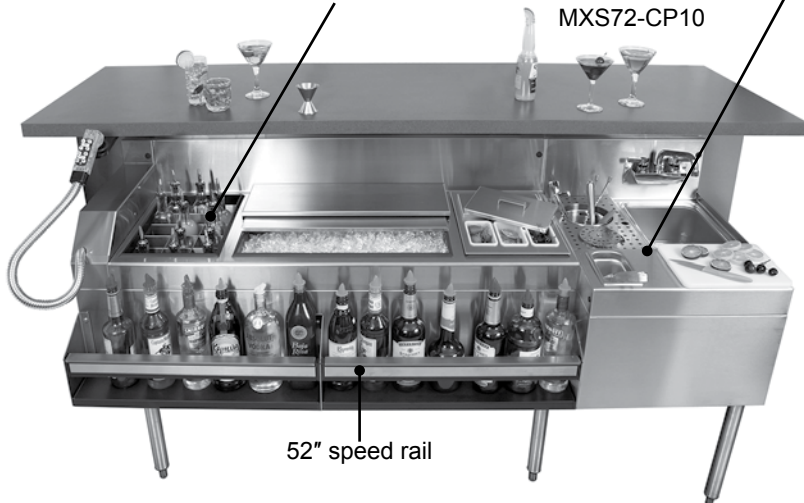
(see MXS Spec Sheet for complete details)

STANDARD FEATURES

- All stainless steel construction
- Complete line up is flush at 24" deep to match adjacent underbar
- The SMHA-4 soda manifold housing is designed to house the manifold of Wunder-Bar® or Schroeder America™ 8 to 14 button soda guns
- The condiment well and ice bin are foamed-in-place insulated and include a PVC plastic breaker strip around the liner to prevent thermal transfer so ice lasts longer
- The ice bin includes a built-in ten circuit cold plate, sliding stainless steel cover, and stainless steel ice bin divider
- The condiment well provides ice-chilled storage for six pint-size (16 oz.) condiment cups and includes two lift-off stainless steel covers
- A single speed rail is included
- The MFT-20 model mixology unit includes a push-down rinser faucet to rinse shaker cans, a lift-out perforated plastic sink strainer, a 6" diameter seamless welded draining dipper well and faucet for mixology tools, an 8" x 11" cutting board that is securely mounted but easily removable for cleaning, and an ice scoop well
- The MXS72-CP10 model also includes an elixir bottle well with BRM15 stainless steel rack to hold 15 elixir bottles (NOTE: Recommend Tablecraft 916 (16 oz.) or 9085 (8.5 oz.) olive oil bottles)

What is different about the 72" mixology station?

The MXS72-CP10 mixology station is 12" longer, because it also includes a 12" elixir bottle well.



MIXOLOGY STATION

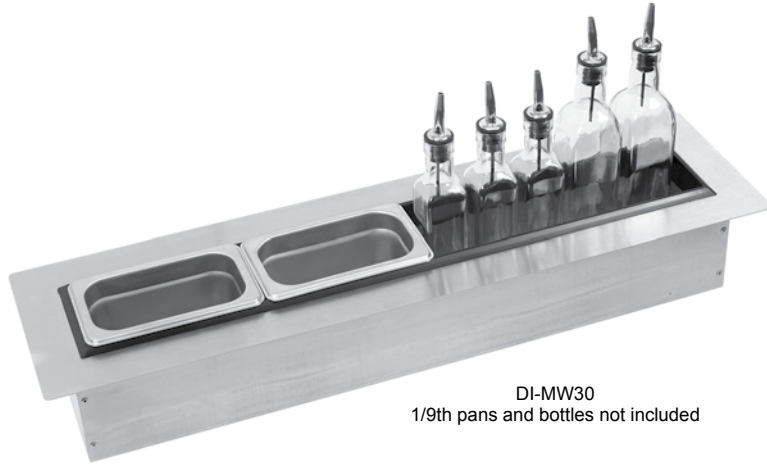
MODEL	LIST	LENGTH	WEIGHT
MXS60-CP10	\$7,431	60"	279#
MXS72-CP10	\$8,472	72"	322#

Rinser faucet installation notes:

- Important: Unit must be installed in conformance with applicable federal, state, and local plumbing codes, including adequate backflow when required.
- Install in-line water regulator (included).
- A separate shut-off valve is recommended (not included).

WARNING: The plastic wet waste strainer included with this product can expose you to chemicals including Bisphenol A (BPA), which is known to the State of California to cause birth defects or other reproductive harm. For more information, go to www.P65Warnings.ca.gov. **Warning applies to State of California only.** Part #03000483

Bar Fabrication - Main Line



DI-MW30
1/9th pans and bottles not included

DROP-IN MIXOLOGY WELLS

MODEL	LIST	LENGTH	WEIGHT
DI-MW24	\$794	24"	13#
DI-MW30	\$843	30"	16#
DI-MW36	\$894	36"	19#

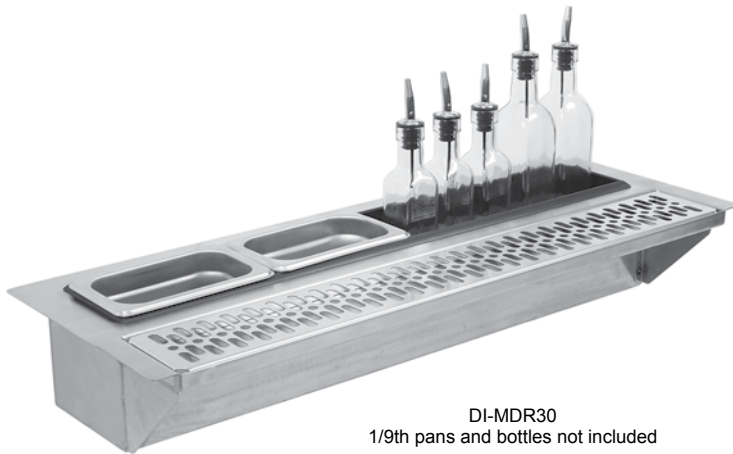
PRODUCT INFORMATION

(see DI-MW Spec Sheet for complete details)

STANDARD FEATURES:

- Stainless steel top and interior liner
- PVC plastic breaker strip around well liner: creates 5/16" raised edge around liner and acts as thermal barrier to prevent heat transfer
- Stainless steel exterior wrap
- 4" deep well liner is 3-5/8" front-to-back
- Designed to hold up to 3-1/2" wide bottles or 1/9th pans
- Installation kit includes: 10' of clear vinyl drain tube, five - 4" Ty-wraps, one - 1/2" PVC elbow, one - 1/2" nylon elbow, and one drainline splicer

Drop-In Mixology Drink Rails



DI-MDR30
1/9th pans and bottles not included

DROP-IN MIXOLOGY DRINK RAILS

MODEL	LIST	LENGTH	WEIGHT
DI-MDR24	\$1,198	24"	16#
DI-MDR30	\$1,257	30"	20#
DI-MDR36	\$1,319	36"	24#

PRODUCT INFORMATION

(see DI-MDR Spec Sheet for complete details)

STANDARD FEATURES

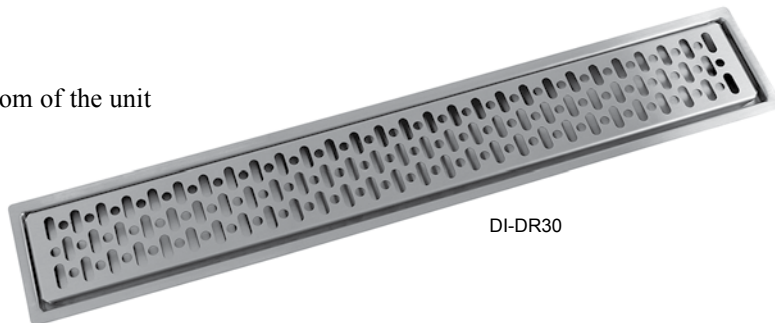
- Stainless steel top and interior liner
- PVC plastic breaker strip around ice bin liner: creates 5/16" raised edge around liner and acts as thermal barrier to prevent heat transfer
- One-piece top includes drain pan with removable perforated insert
- Stainless steel exterior wrap
- 4" deep well liner is 3-5/8" front-to-back
- Designed to hold up to 3-1/2" wide bottles or 1/9th pans
- Installation kit includes: 10' of clear vinyl drain tube, seven - 4" Ty-wraps, one - 1/2" PVC tee, one - 1/2" nylon elbow, and two drainline splicers

PRODUCT INFORMATION

(see DI-DR Spec Sheet for complete details)

STANDARD FEATURES:

- All stainless steel construction
- Available in 24", 30", or 36" lengths
- Drain is a 1/2" welded tailpiece that exits from the bottom of the unit
- Drain pan includes 1/2" flange
- Installation kit includes: 10' of clear vinyl drain tube, five - 4" Ty-wraps, and two - 1/2" plastic elbows



DI-DR30

DROP-IN DRINK RAILS

MODEL	LIST	LENGTH	WEIGHT
DI-DR24	\$332	24"	7#
DI-DR30	\$344	30"	9#
DI-DR36	\$356	36"	11#

Undercounter Mount Rinser Faucet

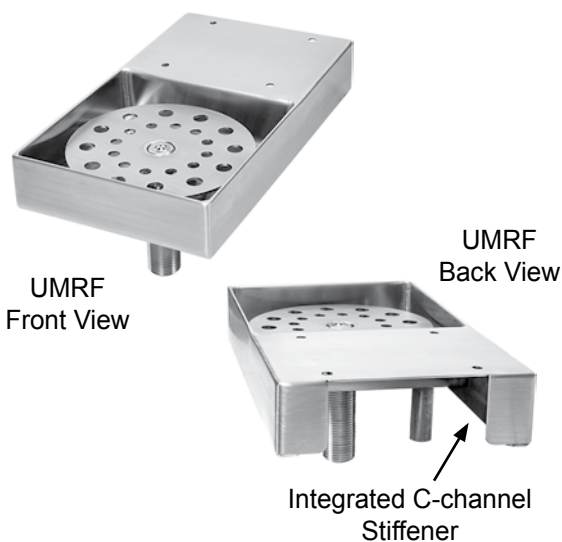
Pricing effective January 1, 2020

PRODUCT INFORMATION

(see UMRF Spec Sheet for complete details)

STANDARD FEATURES:

- All 18 gauge stainless steel construction
- Pan includes radius interior corners for easy cleaning
- Total welded construction with integrated C-channel sides for incredible rigidity
- Installation kit for plumbing 1/2" tailpiece drain - includes 10' of vinyl drain tube, (3) ty wraps, (1) elbow, (1) elbow to drain-line adaptor, (4) #10 x 1/2 screws
- Rear deck area with pre-punched screw holes for mounting to underside of bar top



UMRF Front View

UMRF Back View

Integrated C-channel Stiffener

UMRF

MODEL	LIST	WEIGHT	WIDTH	DEPTH	HEIGHT
UMRF	\$552	8#	5"	9"	1-1/2"

Drop-In Rinser Faucets

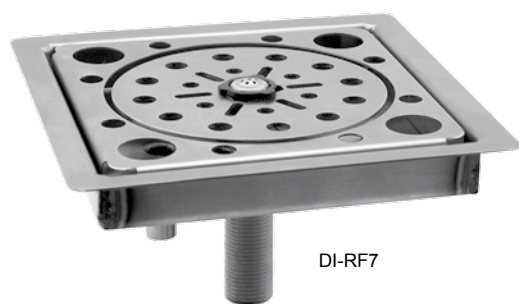
Pricing effective January 1, 2020

PRODUCT INFORMATION

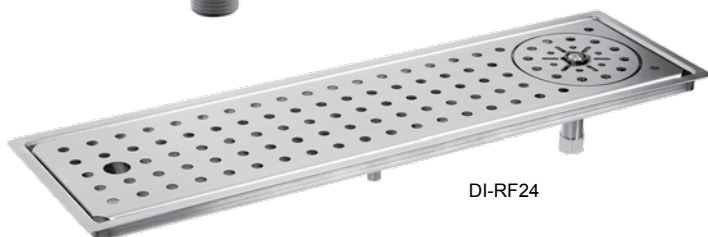
(see DI-RF Spec Sheet for complete details)

STANDARD FEATURES:

- All stainless steel construction
- Pan includes radius corners for easy cleaning
- Drain is a 1/2" welded tailpiece that exits from the bottom of the unit
- Drain pan includes 1/2" flange
- Installation kit includes: 10' of clear vinyl drain tube, five - 4" Ty-wraps, and two - 1/2" plastic elbows



DI-RF7



DI-RF24

DROP-IN DRINK RAILS

MODEL	LIST	LENGTH	WEIGHT
DI-RF7	\$574	7"	8#
DI-RF12	\$590	12"	10#
DI-RF18	\$607	18"	12#
DI-RF24	\$623	24"	14#



DR-36L

DRINK RAILS

MODEL	LIST	LENGTH	DRAIN	WEIGHT
DR-12L	\$332	12"	Left	7#
DR-12R	\$332	12"	Right	7#
DR-18L	\$352	18"	Left	8#
DR-18R	\$352	18"	Right	8#
DR-24L	\$371	24"	Left	9#
DR-24R	\$371	24"	Right	9#
DR-30L	\$395	30"	Left	11#
DR-30R	\$395	30"	Right	11#
DR-36L	\$413	36"	Left	13#
DR-36R	\$413	36"	Right	13#
DR-42L	\$436	42"	Left	15#
DR-42R	\$436	42"	Right	15#
DR-48L	\$456	48"	Left	18#
DR-48R	\$456	48"	Right	18#

Conveniently mounts to underside of bar top to provide stainless steel draining drink rail.

PRODUCT INFORMATION

(see DR Spec Sheet for complete details)

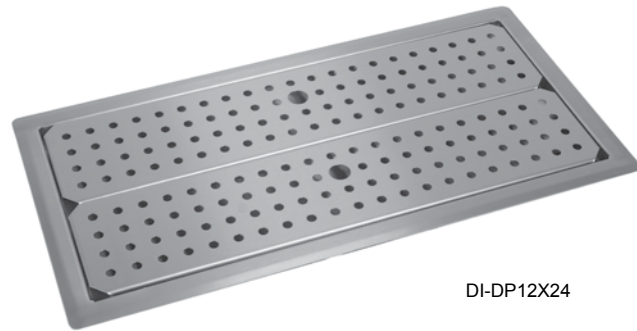
STANDARD FEATURES: All stainless steel construction • 18 gauge stainless steel pan with removable perforated insert (corner units are flat fillers) • 30" and 36" models have one gusset and 42" and 48" models have two gussets for added strength • Drain consists of 1/2" welded tailpiece that exits from the back of the unit • 45° and 90° inside and outside corner filler sections available • Installation kit includes: 10' of clear vinyl drain tube, one 4" Ty-wrap, three #10 x 1/2" stainless steel wood screws, three cable clamps and one 1/2" x 1/2" x 1/2" plastic tee

INSIDE AND OUTSIDE CORNER FILLERS

MODEL	DESCRIPTION	LIST	WEIGHT
DR-IC45	45° inside corner filler	\$199	8#
DR-IC90	90° inside corner filler	\$206	10#
DR-OC45	45° outside corner filler	\$199	8#
DR-OC90	90° outside corner filler	\$206	10#

*NOTE: Drink Rails are manufactured to order and are not returnable

Drop-In Drain Pans*



DI-DP12X24

Drain pan drops into a cut-out in your bartop to provide a stainless steel draining work surface.

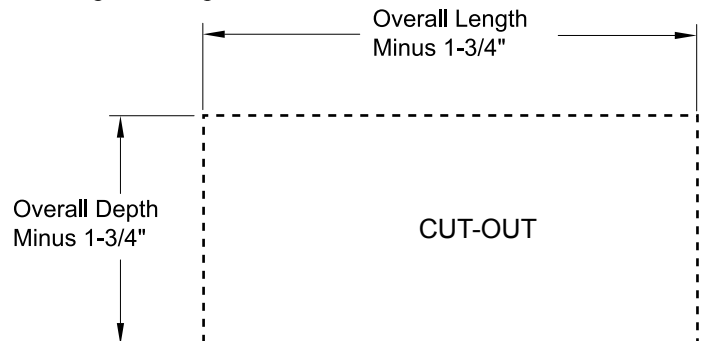
DROP-IN DRAIN PANS

MODEL	OVERALL DIMENSIONS	LIST	WEIGHT
DI-DP12X24	12" x 24"	\$420	14#
DI-DP12X30	12" x 30"	\$452	16#
DI-DP12X36	12" x 36"	\$485	18#
DI-DP12X42	12" x 42"	\$529	20#
DI-DP12X48	12" x 48"	\$579	22#
DI-DP18X24	18" x 24"	\$518	18#
DI-DP18X30	18" x 30"	\$559	21#
DI-DP18X36	18" x 36"	\$628	24#
DI-DP18X42	18" x 42"	\$703	27#
DI-DP18X48	18" x 48"	\$777	30#

*NOTE: Drop-In Drain Pans are manufactured to order and are not returnable

PRODUCT INFORMATION
(see DI-DP Spec Sheet for complete details)

STANDARD FEATURES: All stainless steel construction • 18 gauge stainless steel pan with removable perforated inserts • Available in standard widths of 12" or 18" and lengths from 24" to 48". Custom sizes also available • Drain consists of 1/2" welded tailpiece that exits from the bottom of the unit • Drain pan flange includes self-rimming edge for tight fit to work surface • Installation kit includes: 10' of clear vinyl drain tube, one 4" Ty-wrap, three #10 x 1/2" stainless steel wood screws, three #10 x 1/2" black sheet metal screws, three cable clamps, two 1/2" x 1/2" plastic elbows • Cut-out dimensions are 1-3/4" smaller than the outer flange dimensions • Install by making cut-out in work surface, apply silicone sealant to edge of unit, set in place and plumb drain line



EXAMPLE: A DI-DP12X24 which measures 12" x 24" would require a cut-out size of 10-1/4" x 22-1/4"

Bar Fabrication - Main Line

Liquor Displays provide tiered liquor bottle storage at a height convenient for bartender use. They maintain the same easy-to-clean, open step and rail design as a speed rail. Each step and rail has PVC sound deadening covers and each rail includes a clear lift-off liquor-identification cover. The 24" deep models provide four levels of storage front to back and the 29" deep models provide five levels.

Liquor displays cannot have a speed rail mounted to them. Since speed rails are so common on underbar, liquor displays have been designed to align with underbar that has a speed rail. The four different liquor display styles are based on the four different equipment-mounting situations.

PRODUCT INFORMATION

(see LD Spec Sheet for complete details)

STANDARD FEATURES

- Easily-usable height for storage
- All stainless steel construction and stainless steel bullet feet
- Includes radius interior corners for easy cleaning
- Four (4) levels of liquor bottle storage for 24" deep models and five (5) levels for 29" deep models
- Bottle retaining rails with clear lift-off liquor-identification cover
- Open step-and-rail design for easy cleaning and better view of bottles
- Locking covers are available for each individual row - see Locking Speed Rail Covers on page 28
- Matches speed rail design for continuity
- Specially designed side profiles to align with four different equipment-mounting situations
- Rear step on each model is extra wide for specialty liquor bottles



LDA-18S



LDB-18

24" DEEP LIQUOR DISPLAYS

(Aligns with 19" deep underbar that has a single speed rail)

MODEL	LIST	LENGTH	WEIGHT
LDA-12S	\$1,158	12"	50#
LDA-18S	\$1,267	18"	60#
LDA-24S	\$1,380	24"	70#
LDA-30S*	\$1,491	30"	80#
LDA-36S*	\$1,601	36"	90#
LDA-42S*	\$1,712	42"	100#

24" DEEP LIQUOR DISPLAYS

(Aligns with 24" deep underbar that has no speed rail)

MODEL	LIST	LENGTH	WEIGHT
LDB-12	\$1,158	12"	50#
LDB-18	\$1,267	18"	60#
LDB-24	\$1,380	24"	70#
LDB-30*	\$1,491	30"	80#
LDB-36*	\$1,601	36"	90#
LDB-42*	\$1,712	42"	100#



LDA-18D



LDB-18S

29" DEEP LIQUOR DISPLAYS

(Aligns with 19" deep underbar that has a double speed rail)

MODEL	LIST	LENGTH	WEIGHT
LDA-12D	\$1,298	12"	55#
LDA-18D	\$1,426	18"	65#
LDA-24D	\$1,553	24"	75#
LDA-30D*	\$1,688	30"	85#
LDA-36D*	\$1,816	36"	95#
LDA-42D*	\$1,946	42"	105#

29" DEEP LIQUOR DISPLAYS

(Aligns with 24" deep underbar that has a single speed rail)

MODEL	LIST	LENGTH	WEIGHT
LDB-12S	\$1,298	12"	55#
LDB-18S	\$1,426	18"	65#
LDB-24S	\$1,553	24"	75#
LDB-30S*	\$1,688	30"	85#
LDB-36S*	\$1,816	36"	95#
LDB-42S*	\$1,946	42"	105#

*NOTE: These liquor displays are manufactured to order and are not returnable



SLD-24

PRODUCT INFORMATION
(see SLD Spec Sheet for complete details)

STANDARD FEATURES

- All stainless steel construction
- One-piece seamless top, front rail and backsplash
- Radius work surface corners for easy cleaning
- For use with 20" by 20" racks for easy removal and storage of liquor bottles

EXTRA CABINET MODEL FEATURES

- Includes locking cabinet base for storing liquor when not in use
- Includes four 2" casters
- Removable floor with radius corners for easy cleaning
- Cabinet features dual-wall construction for a smooth interior
- Integral door handle and door lock standard



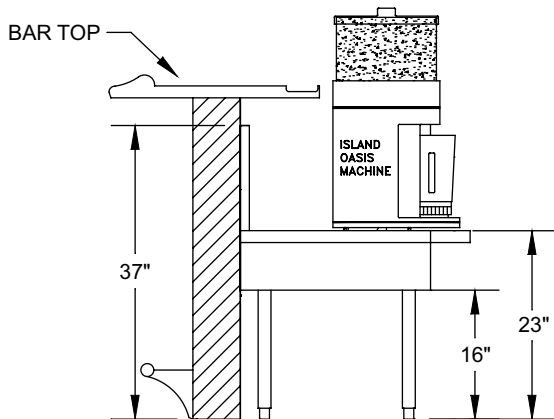
SLDC-24

SLANTED LIQUOR DISPLAYS

MODEL	LIST	LENGTH	WEIGHT
SLD-24	\$874	24"	55#
SLDC-24	\$1,792	24"	85#

*NOTE: Slanted Liquor Displays are manufactured to order and are not returnable

The Glastender Island Oasis® Stand is designed for use with the model number SB-3X Island Oasis® machine. The 18" wide by 29" deep stand has a lowered draining work surface and extended front to allow the machine to be stored at a convenient and usable height. In most bar applications, the clear plastic ice container will be visible above the bar top.



Installation Side Elevation

PRODUCT INFORMATION
(see IOS Spec Sheet for complete details)

STANDARD FEATURES

- All stainless steel construction
- Adjustable stainless steel bullet feet
- Radius work surface corners for easy cleaning
- One-piece seamless top and backsplash
- 1" deep drain pan work surface to capture excess moisture
- Chamfered front to eliminate "knee knockers"



IOS-18

ISLAND OASIS® STAND

MODEL	LIST	LENGTH	WEIGHT
IOS-18	\$1,044	18"	50#



DWB-12 shown in an installation setting with optional trash receptacle



DWB-15L shown in an installation setting with optional trash receptacle



DWB-18 with optional trash receptacle

PRODUCT INFORMATION

(see DW Spec Sheet for complete details)

There are four different Dry Waste Chute models to meet various installation requirements • For all four models, the top lifts up for emptying the trash receptacle • The top also lifts off completely for more thorough cleaning • The DWB-12 is designed for mounting between two adjacent pieces of Glastender underbar • The DWB-15L and DWB-15R include a left or right side and leg set, respectively, for mounting to just one piece of Glastender underbar • The DWB-18 is free standing • All models are designed to house a Rubbermaid® Slim Jim™ trash receptacle and are available from Glastender

24" DEEP DRY WASTE CHUTES

MODEL	LIST	LEG POSITION	LENGTH	WEIGHT
DWB-12	\$604	N/A	12"	30#
DWB-15L	\$954	Left	15"	45#
DWB-15R	\$954	Right	15"	45#
DWB-18*	\$1,357	Left & Right	18"	60#

ACCESSORIES

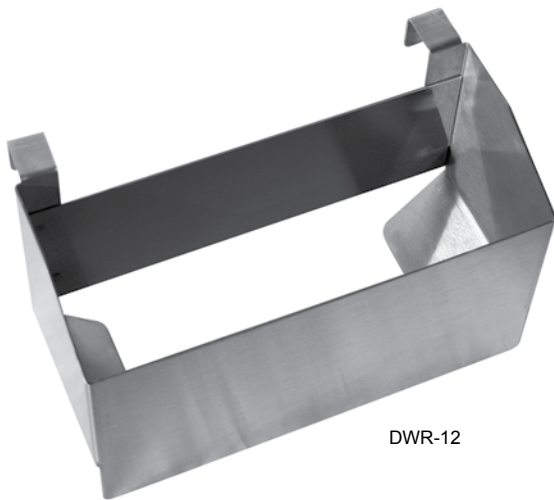
MODEL	DESCRIPTION	LIST	WGT
03000497	Slim Jim trash receptacle	\$177	10#

*NOTE: DWB-18 Dry Waste Chutes are manufactured to order and are not returnable

Bar Fabrication - Main Line

Dry Waste Rail

Pricing effective January 1, 2020



DWR-12

PRODUCT INFORMATION

(see DWR Spec Sheet for complete details)


- A Dry Waste Rail is 12" wide, 5" deep, and looks like a speed rail, but it is actually a removable stainless steel chute
- A 16" high or shorter trash receptacle is placed under the dry waste rail and the chute directs the refuse into the receptacle
- Dry waste rails cannot be used on Cabinets, Glassracks, or Ice Cream Freezers

DRY WASTE RAIL

MODEL	LIST	LENGTH	WEIGHT
DWR-12	\$164	12"	6#

ACCESSORIES

MODEL	DESCRIPTION	LIST	WGT
DWC	Trash receptacle, stainless steel	\$367	5#
03005491	Trash receptacle, 28½ qt, gray plastic	\$53	5#

All faucets are certified low lead compliant 



FRA-24

19" DEEP ICE CREAM FREEZERS

MODEL	LIST	LENGTH	WEIGHT
FRA-24	\$3,911	24"	140#
FRA-36	\$4,478	36"	175#

24" DEEP ICE CREAM FREEZERS

MODEL	LIST	LENGTH	WEIGHT
FRB-24	\$4,031	24"	150#
FRB-36	\$4,598	36"	185#

PRODUCT INFORMATION

(see FR Spec Sheet for complete details)

STANDARD FEATURES: All stainless steel construction • Foamed-in-place insulation • 6" diameter seamless welded draining dipper well and faucet • Six-foot grounded cord and plug provided • 24" wide models hold one 3-gallon container • 36" wide models hold two 3-gallon containers • One-piece seamless top and backsplash

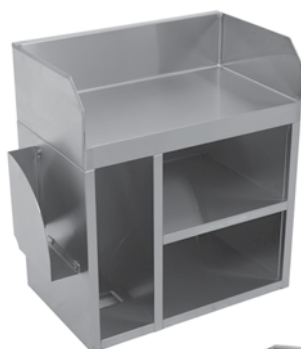
ELECTRICAL: 120V, 1 phase, 60 Hz, 4.75 full load amps • Dedicated 15 amp circuit is recommended • Includes 6-foot grounded cord and plug

REFRIGERATION: Operating range -5°F to 10°F • 1/4 HP, R404a refrigerant

CAPACITY: FRA-24 and FRB-24 models hold one 3-gallon container • FRA-36 and FRB-36 models hold two 3-gallon containers

ACCESSORIES

MODEL	DESCRIPTION	LIST	WGT
SSR-24	24" single speed rail	\$189	7#
SSR-36	36" single speed rail	\$220	12#
DSR-24	24" double speed rail	\$368	14#
DSR-36	36" double speed rail	\$429	24#
CE-220/50S	Convert self-contained unit to 220V/50Hz electrical	\$183	N/A



WS24

Wait Stations mount to the server side of the bar die for convenient storage of common server items. No plumbing required. Includes wall-mounting bracket.

*NOTE: Wait stations are manufactured to order and are not returnable



WS36-S
(shown with optional WPH)

PRODUCT INFORMATION

(see WS Spec Sheet for complete details)

STANDARD FEATURES: All stainless steel construction • Integrated back and side splashes • Radius work surface corners for easy cleaning • Work surface features front marine edge • Cabinet includes intermediate shelf and special compartment for vertical tray storage • Vertical tray storage compartment specifically designed to hold 14" or 16" round server trays • Recessed hole in tray storage compartment floor prevents round trays from rolling out • Includes left-side-mounted menu holder • Includes wall-mounting bracket • WS36-S model includes welded bowl with removable plastic washrag basin • Optional wall-mount pan holder (WPH) with 6" deep stainless steel one-fourth pan also available, for use as an ashtray dump or washrag basin (clear plastic one-fourth pan also available)

WAIT STATION ACCESSORIES

MODEL	DESCRIPTION	LIST	WGT
WPH	Wall-mount pan holder	\$250	12#
WPH-LP	Wall-mount pan holder, less pan	\$190	10#
MH-L	Menu holder, mounts left	\$161	10#
MH-R	Menu holder, mounts right	\$161	10#
03003294	Plastic washrag basin	\$39	3#

24" AND 36" WAIT STATIONS

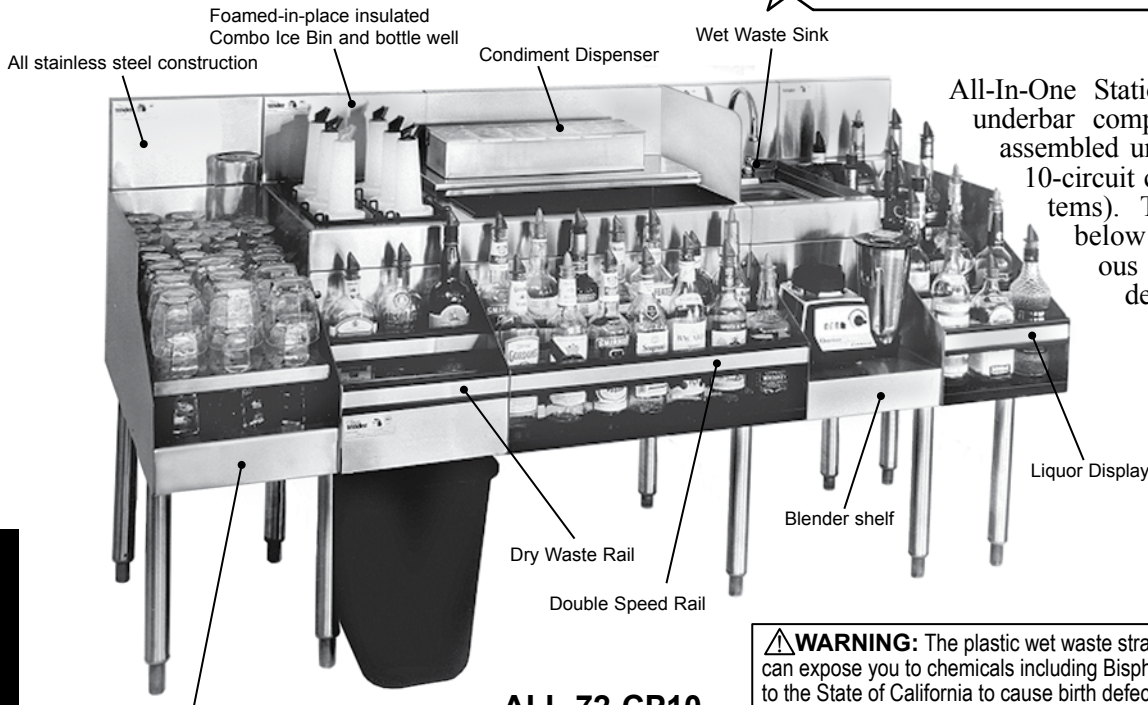
MODEL	LIST	LENGTH	DEPTH	WEIGHT
WS24	\$1,454	24"	15"	70#
WS36	\$1,611	36"	15"	90#
WS36-S†	\$1,984	36"	15"	95#

† WS36-S includes stainless steel bowl and removable plastic washrag basin.

WARNING: The plastic wet waste strainer included with this product can expose you to chemicals including Bisphenol A (BPA), which is known to the State of California to cause birth defects or other reproductive harm. For more information, go to www.P65Warnings.ca.gov. **Warning applies to State of California only.** Part #03000483

Bar Fabrication - Main Line

All faucets are certified low lead compliant



All-In-One Stations combine different underbar components into one pre-assembled unit (also available with 10-circuit cold plate for soda systems). The ALL-72 pictured below illustrates the various components. Read the descriptions below each model for a complete list of standard components. (see ALL Spec Sheet for complete details)

Recessed Drainboard for maximum glass storage

ALL-72-CP10

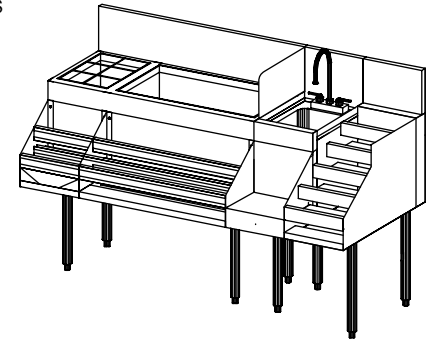
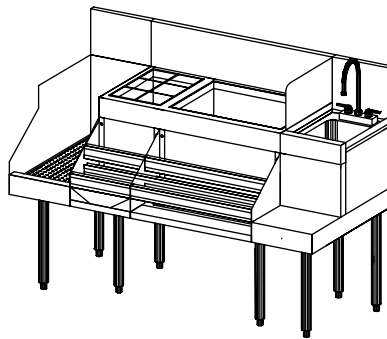
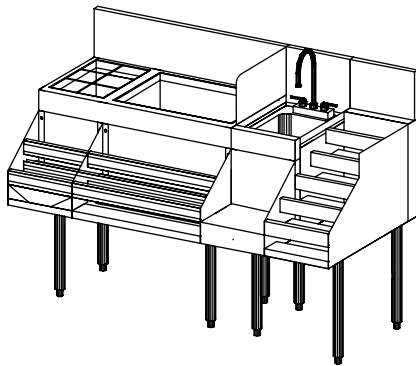
WARNING: The plastic wet waste strainer included with this product can expose you to chemicals including Bisphenol A (BPA), which is known to the State of California to cause birth defects or other reproductive harm. For more information, go to www.P65Warnings.ca.gov. **Warning applies to State of California only.** Part #03000483

ALL-IN-ONE STATION ACCESSORY

MODEL	DESCRIPTION	LIST	WEIGHT
TC-BS	Tubing chase centered in backsplash of ice bin	\$48	N/A



TC-BS



ALL-60A

MODEL	LIST	WT	COLD PLATE
ALL-60A	\$5,785	200#	No
ALL-60A-CP10	\$7,136	270#	Yes

ALL-60B

MODEL	LIST	WT	COLD PLATE
ALL-60B	\$5,435	200#	No
ALL-60B-CP10	\$6,786	270#	Yes

ALL-66A

MODEL	LIST	WT	COLD PLATE
ALL-66A	\$5,979	215#	No
ALL-66A-CP10	\$7,381	285#	Yes

60" ALL-IN-ONE STATION

- 36" Combo Ice Bin
- 12" Single Wet Waste Sink w/Left Splash
- 12" Blender Shelf with Towel Ring
- 12" Liquor Display
- 36" Double Speed Rail
- 12" Dry Waste Rail
- Condiment Dispenser

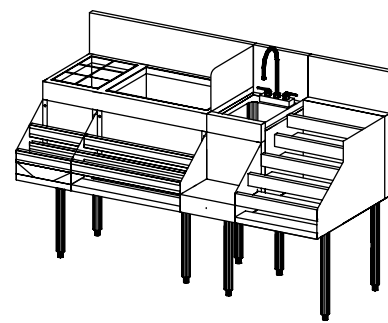
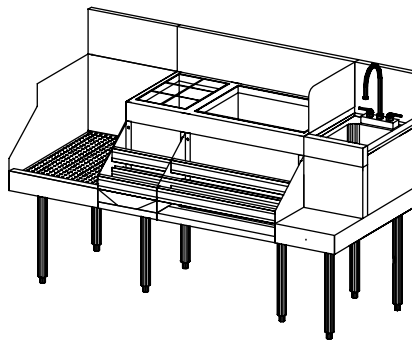
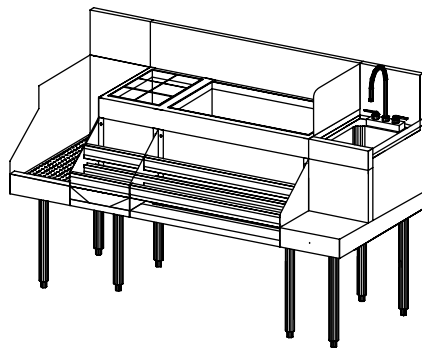
60" ALL-IN-ONE STATION

- 12" Recessed Drainboard
- 36" Combo Ice Bin
- 12" Single Wet Waste Sink w/Left Splash
- 12" Blender Shelf with Towel Ring
- 36" Double Speed Rail
- 12" Dry Waste Rail
- Condiment Dispenser

66" ALL-IN-ONE STATION

- 42" Combo Ice Bin
- 12" Single Wet Waste Sink w/Left Splash
- 12" Blender Shelf with Towel Ring
- 12" Liquor Display
- 42" Double Speed Rail
- 12" Dry Waste Rail
- Condiment Dispenser

*NOTE: All-In-One Stations are manufactured to order and are not returnable



ALL-66B

MODEL	LIST	WT	COLD PLATE
ALL-66B	\$5,629	215#	No
ALL-66B-CP10	\$7,031	285#	YES

66" ALL-IN-ONE STATION

- 12" Recessed Drainboard
- 42" Combo Ice Bin
- 12" Single Wet Waste Sink w/Left Splash
- 12" Blender Shelf with Towel Ring
- 42" Double Speed Rail
- 12" Dry Waste Rail
- Condiment Dispenser

ALL-66C

MODEL	LIST	WT	COLD PLATE
ALL-66C	\$5,560	215#	No
ALL-66C-CP10	\$6,911	285#	YES

66" ALL-IN-ONE STATION

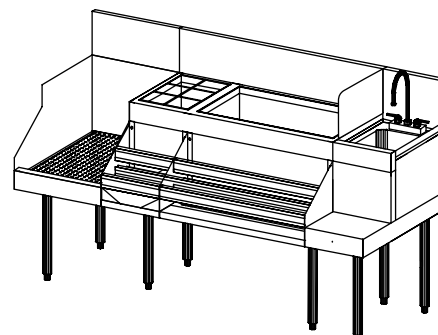
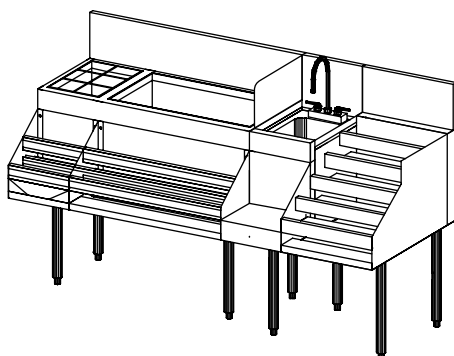
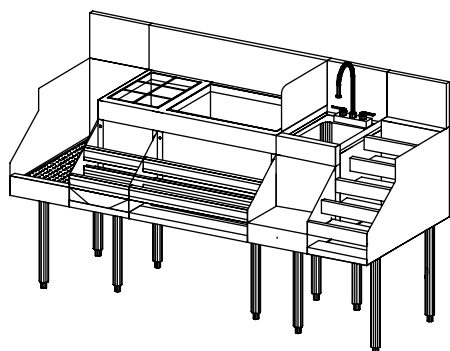
- 18" Recessed Drainboard
- 36" Combo Ice Bin
- 12" Single Wet Waste Sink w/Left Splash
- 12" Blender Shelf with Towel Ring
- 36" Double Speed Rail
- 12" Dry Waste Rail
- Condiment Dispenser

ALL-66D

MODEL	LIST	WT	COLD PLATE
ALL-66D	\$5,913	215#	No
ALL-66D-CP10	\$7,264	285#	YES

66" ALL-IN-ONE STATION

- 36" Combo Ice Bin
- 12" Single Wet Waste Sink w/Left Splash
- 18" Liquor Display
- 36" Double Speed Rail
- 12" Dry Waste Rail
- Condiment Dispenser



ALL-72

MODEL	LIST	WT	COLD PLATE
ALL-72	\$6,733	240#	No
ALL-72-CP10	\$8,084	310#	YES

72" ALL-IN-ONE STATION

- 12" Recessed Drainboard
- 36" Combo Ice Bin
- 12" Single Wet Waste Sink w/Left Splash
- 12" Blender Shelf with Towel Ring
- 12" Liquor Display
- 36" Double Speed Rail
- 12" Dry Waste Rail
- Condiment Dispenser

ALL-72A

MODEL	LIST	WT	COLD PLATE
ALL-72A	\$6,107	240#	No
ALL-72A-CP10	\$7,509	310#	YES

72" ALL-IN-ONE STATION

- 42" Combo Ice Bin
- 12" Single Wet Waste Sink w/Left Splash
- 12" Blender Shelf with Towel Ring
- 18" Liquor Display
- 42" Double Speed Rail
- 12" Dry Waste Rail
- Condiment Dispenser

ALL-72B

MODEL	LIST	WT	COLD PLATE
ALL-72B	\$5,754	240#	No
ALL-72B-CP10	\$7,156	310#	YES

72" ALL-IN-ONE STATION

- 18" Recessed Drainboard
- 42" Combo Ice Bin
- 12" Single Wet Waste Sink w/Left Splash
- 12" Blender Shelf with Towel Ring
- 42" Double Speed Rail
- 12" Dry Waste Rail
- Condiment Dispenser

Bar Fabrication - Main Line

*NOTE: All-In-One Stations are manufactured to order and are not returnable

⚠WARNING: The plastic wet waste strainer included with this product can expose you to chemicals including Bisphenol A (BPA), which is known to the State of California to cause birth defects or other reproductive harm. For more information, go to www.P65Warnings.ca.gov. **Warning applies to State of California only.** Part #03000483



PRODUCT INFORMATION

(see TC Spec Sheet for complete details)

STANDARD FEATURES

- All stainless steel construction
- Tubing chase is 6" by 6" by 4" high
- Stainless steel drain pan work surface and perforated insert
- Mounts between adjacent underbar equipment (there is no provision for leg mounting)
- Includes front rail and front skirt to match adjacent equipment
- Can be set in place after beverage lines are installed

TUBING CHASES

MODEL	LIST	LENGTH	DEPTH	WEIGHT
TCA	\$460	6"	19"	17#
TCB	\$524	6"	24"	19#

TCA shown in an installation setting

Beer Drainers*

Pricing effective January 1, 2020

Beer Drainers have a 26" high lowered work surface and are designed specifically for use with undercounter-mounting beverage dispensers. The work surface includes a drain pan with perforated insert to serve as the drip pan for the dispenser and a special notched rear deck for beverage line access. Since the rear work surface is notched, the beverage lines can be installed prior to the beer drainer.



BDB-18 shown in an installation setting with undercounter-mounting beer tower above

PRODUCT INFORMATION

(see BD Spec Sheet for complete details)

STANDARD FEATURES

- All stainless steel construction
- Designed with lowered work surface to work in conjunction with undercounter-mounting beverage dispensers
- Adjustable stainless steel bullet feet
- Rear deck with tubing chase notch allows beer lines to be installed prior to beer drainer
- Front drain pan with lift-out stainless steel perforated insert

19" DEEP BEER DRAINERS

MODEL	LIST	LENGTH	WEIGHT
BDA-18	\$818	18"	45#
BDA-24	\$896	24"	50#
BDA-30	\$973	30"	55#
BDA-36	\$1,050	36"	60#

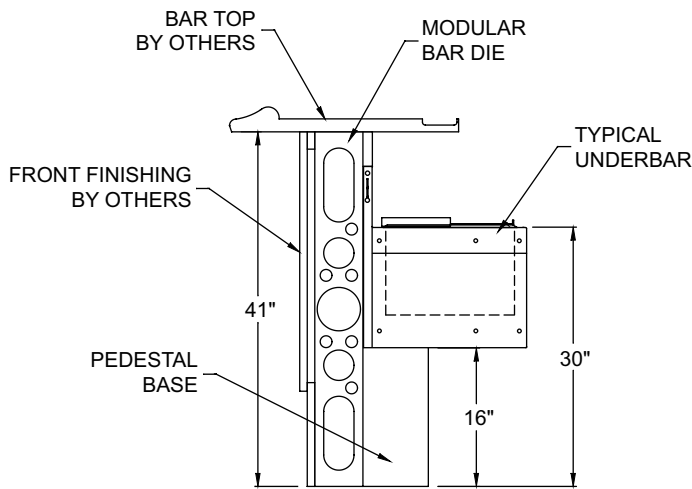
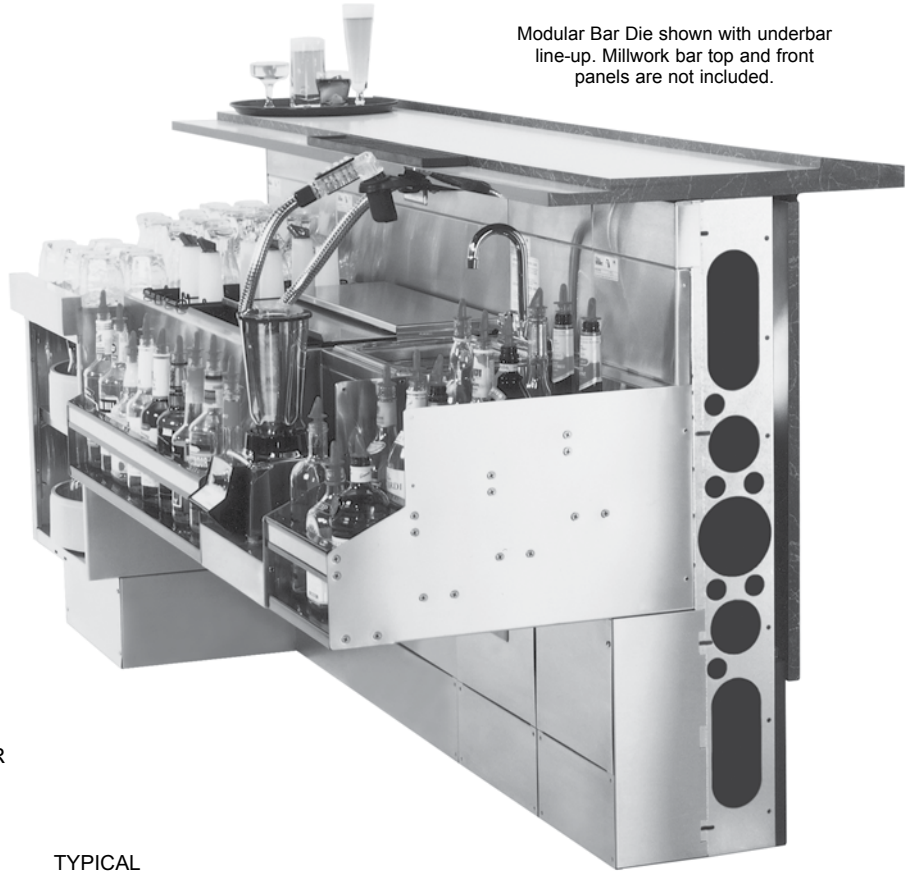
24" DEEP BEER DRAINERS

MODEL	LIST	LENGTH	WEIGHT
BDB-18	\$895	18"	55#
BDB-24	\$988	24"	60#
BDB-30	\$1,077	30"	65#
BDB-36	\$1,166	36"	70#

*NOTE: Beer Drainers are manufactured to order and are not returnable

With the Glastender Modular Bar Die, underbar equipment is mounted to and supported on the bar die. All the underbar equipment is pre-assembled and mounted to the bar die at the factory, then broken down into shippable sections. Installation of the bar die is very simple - easier than a conventional style underbar with a millwork bar die. The result is a beautiful, innovative underbar line up that is sealed to the floor, stainless from floor to bar top, eliminates all underbar leg sets, and hides the soda, beer, electrical, and plumbing lines.

Modular Bar Die shown with underbar line-up. Millwork bar top and front panels are not included.



Typical Side Elevation View

The total Number of feet required is calculated by determining the overall outside dimension of the bar die wall. Please round up to the nearest whole foot.

MODULAR BAR DIE

MODEL	DESCRIPTION	LIST	WGT
MD	Price per foot	\$303	15#

PRODUCT INFORMATION

(see MD Spec Sheet for complete details)

FEATURES:

- 16 gauge galvanized steel structure with stainless steel bartender side finishing
- GFI outlets built in to bar die wall based on customer preference (wiring not provided)
- LED lights built in to bar die wall above underbar equipment (wiring not provided)
- Built in chaseways for beer, soda, plumbing, and electrical lines.

BENEFITS:

- Stainless steel from floor to bar top on bartender side
- Floor can be sealed to the bar die to prevent moisture from seeping from the bartender side to the customer side of the bar
- Galvanized steel structure will not rot
- Built in chaseways hide beer, soda, plumbing, and electrical lines for a cleaner, more attractive bar
- Arrives pre-assembled from factory in sections up to 10 feet long for easy installation - lowers installation costs. Just bolt the sections together, level, and attach the floor.
- Pre-engineered to exact dimensions to ensure a precise fit
- Can be used in conjunction with removable front millwork finishing panels to provide easy access to soda, beer, plumbing, and electrical lines for future modification, maintenance, or repair
- Millwork bar top and front panels can be pre-fabricated and easily attached
- Eliminates all underbar legs for easy cleaning.

Bar Fabrication - Main Line

19" DEEP ICE BINS*

MODEL	LIST	LTH	WGT	ICE CAPACITY
C-IBA-6†	\$808	6"	40#	17#
C-IBA-12	\$1,090	12"	50#	33#
C-IBA-18	\$1,204	18"	60#	50#
C-IBA-24	\$1,313	24"	70#	67#
C-IBA-30	\$1,431	30"	80#	84#
C-IBA-36	\$1,543	36"	90#	100#
C-IBA-42	\$1,658	42"	100#	117#
C-IBA-48	\$1,772	48"	110#	134#

WITH 10-CIRCUIT COLD PLATE

C-IBA-24-CP10	\$2,469	24"	130#	67#
C-IBA-30-CP10	\$2,625	30"	145#	84#
C-IBA-36-CP10	\$2,823	36"	160#	100#
C-IBA-42-CP10	\$3,176	42"	170#	117#
C-IBA-48-CP10	\$3,297	48"	180#	134#

† Note: 6" unit cannot be free standing

24" DEEP ICE BINS*

MODEL	LIST	LTH	WGT	ICE CAPACITY
C-IBB-6†	\$862	6"	45#	21#
C-IBB-12	\$1,170	12"	55#	42#
C-IBB-18	\$1,294	18"	70#	64#
C-IBB-24	\$1,413	24"	80#	85#
C-IBB-30	\$1,542	30"	95#	106#
C-IBB-36	\$1,661	36"	110#	127#
C-IBB-42	\$1,784	42"	120#	149#
C-IBB-48	\$1,905	48"	130#	170#

WITH 10-CIRCUIT COLD PLATE*

C-IBB-24-CP10	\$2,551	24"	145#	85#
C-IBB-30-CP10	\$3,029	30"	160#	106#
C-IBB-36-CP10	\$3,162	36"	170#	127#
C-IBB-42-CP10	\$3,296	42"	185#	149#
C-IBB-48-CP10	\$3,395	48"	195#	170#

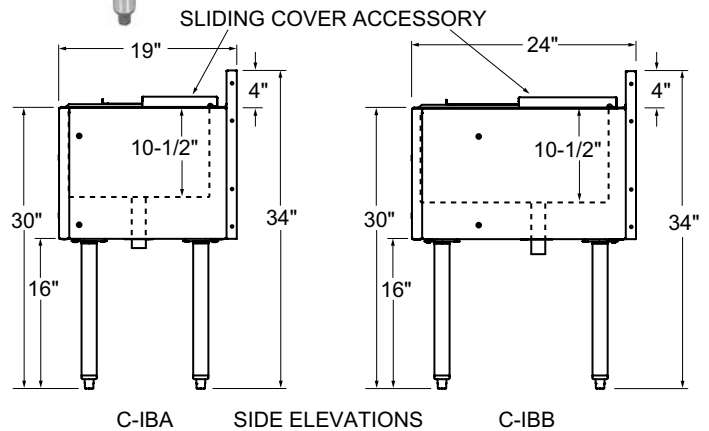
† Note: 6" unit cannot be free standing

What is a cold plate?

Choice ice bins 24" wide and larger are available with a 10-circuit cold plate built into the bottom liner. A cold plate is an aluminum block with ten stainless steel lines or circuits molded within. Soda lines are attached by the soda vendor to the input and output lines of the cold plate and the soda water and syrup are chilled as they pass through the lines. A cold plate is recommended for ice bins used to make cocktails.



C-IBA-36-CP10



PRODUCT INFORMATION

(see C-IB and C-IB-ED Spec Sheets for complete details)

STANDARD FEATURES

- All stainless steel construction
- PVC plastic breaker strip around ice bin liner acts as a thermal barrier to prevent heat transfer
- 24" deep version provides larger ice bin not just a deck extension on the back of the 19" deep model
- Extra deep ice bins have 14-1/2" deep liner for extra ice capacity
- Adjustable thermoplastic bullet feet
- Backsplash is an open channel to provide access for beverage lines

NOTE: Ice bins intended to store potable ice must be ordered with an ice bin cover to maintain the sanitation listing

*NOTE: These ice bin models are manufactured to order and are not returnable



Bottle rack accessory (one BR4 and one BR3 shown)

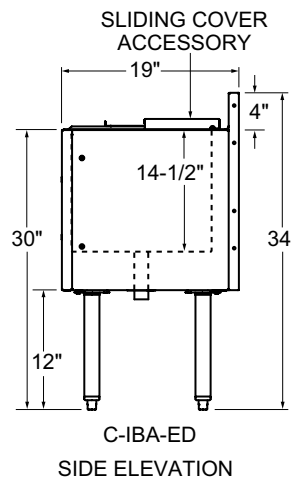
Bottle well accessory (two BW3 shown)

19" EXTRA DEEP ICE BINS*

MODEL	LIST	LTH	WGT	ICE CAPACITY
C-IBA-18-ED	\$1,343	18"	75#	69#
C-IBA-24-ED	\$1,475	24"	80#	92#
C-IBA-30-ED	\$1,608	30"	90#	116#
C-IBA-36-ED	\$1,741	36"	100#	139#
C-IBA-42-ED	\$1,873	42"	110#	162#
C-IBA-48-ED	\$2,009	48"	125#	185#

EXTRA DEEP WITH 10-CIRCUIT COLD PLATE*

C-IBA-24-CP10-ED	\$2,736	24"	140#	92#
C-IBA-30-CP10-ED	\$2,917	30"	155#	116#
C-IBA-36-CP10-ED	\$3,181	36"	170#	139#
C-IBA-42-CP10-ED	\$3,534	42"	180#	162#
C-IBA-48-CP10-ED	\$3,682	48"	190#	185#



NOTE: Ice bins intended to store potable ice must be ordered with an ice bin cover to maintain the sanitation listing

*NOTE: These ice bin models are manufactured to order and are not returnable

ICE BIN ACCESSORIES

SINGLE SPEED RAILS

MODEL	DESCRIPTION	LIST	WGT
C-SR-12	12" single speed rail	\$119	5#
C-SR-18	18" single speed rail	\$133	6#
C-SR-24	24" single speed rail	\$147	7#
C-SR-30	30" single speed rail	\$161	9#
C-SR-36	36" single speed rail	\$175	10#
C-SR-42	42" single speed rail	\$190	12#
C-SR-48	48" single speed rail	\$204	13#

DOUBLE SPEED RAILS

MODEL	DESCRIPTION	LIST	WGT
C-DR-12	12" double speed rail	\$234	9#
C-DR-18	18" double speed rail	\$264	11#
C-DR-24	24" double speed rail	\$292	14#
C-DR-30	30" double speed rail	\$322	16#
C-DR-36	36" double speed rail	\$350	18#
C-DR-42	42" double speed rail	\$380	21#
C-DR-48	48" double speed rail	\$409	24#

CONDIMENT DISPENSER Stainless steel condiment dispenser with hinged plexi-glass lid and six 16 oz. plastic cups.

CCD	Condiment dispenser	\$144	5#
-----	---------------------	-------	----

ACCESSORIES FOR 19" DEEP (A) ICE BINS

ICE BIN COVERS Two-piece sliding stainless steel. Ice bins intended to store potable ice must be ordered with an ice bin cover to maintain the sanitation listing. If bottle wells are ordered, deduct 6" from cover length for one bottle well and 12" for two bottle wells.

MODEL	DESCRIPTION	LIST	WGT	MODEL	DESCRIPTION	LIST	WGT
IBCA-12	12"w ice bin cover - 19"d (A) ice bin	\$52	4#	IBCB-12	12"w ice bin cover - 24"d (B) ice bin	\$65	5#
IBCA-18	18"w ice bin cover - 19"d (A) ice bin	\$75	5#	IBCB-18	18"w ice bin cover - 24"d (B) ice bin	\$94	6#
IBCA-24	24"w ice bin cover - 19"d (A) ice bin	\$98	7#	IBCB-24	24"w ice bin cover - 24"d (B) ice bin	\$122	8#
IBCA-30	30"w ice bin cover - 19"d (A) ice bin	\$122	8#	IBCB-30	30"w ice bin cover - 24"d (B) ice bin	\$153	10#
IBCA-36	36"w ice bin cover - 19"d (A) ice bin	\$165	9#	IBCB-36	36"w ice bin cover - 24"d (B) ice bin	\$205	11#
IBCA-42	42"w ice bin cover - 19"d (A) ice bin	\$197	10#	IBCB-42	42"w ice bin cover - 24"d (B) ice bin	\$245	13#
IBCA-48	48"w ice bin cover - 19"d (A) ice bin	\$218	12#	IBCB-48	48"w ice bin cover - 24"d (B) ice bin	\$278	15#

BOTTLE WELLS For use with potable ice. May be positioned left or right inside cocktail ice bin. If two are ordered, they are positioned one at each side

BW3	3 bottle well for 19"d (A) ice bin	\$48	4#	BW4	4 bottle rack for 24"d (B) ice bin	\$97	5#
-----	------------------------------------	------	----	-----	------------------------------------	------	----

BOTTLE RACKS For use with non-potable ice in bottle storage ice bin. Only fit in 12" long and larger ice bins. One rack may be ordered for each 6" of ice bin length. Not for use with sliding cover.

BR3	Bottle rack for 19"d (A) ice bin	\$47	3#	BR4	4 bottle rack for 24"d (B) ice bin	\$57	4#
-----	----------------------------------	------	----	-----	------------------------------------	------	----

ICE BIN DIVIDERS Stainless steel panel placed inside the ice bin front-to-back to separate different types of ice.

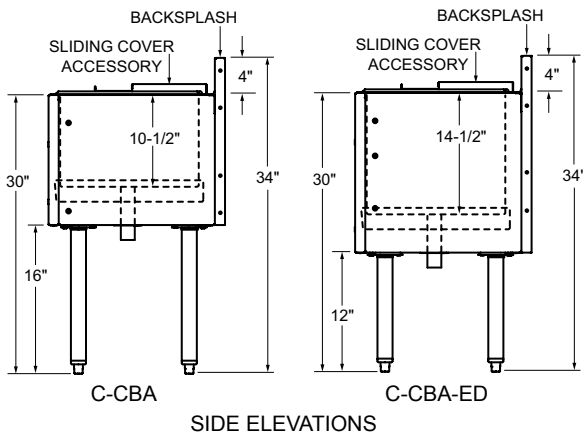
IBD-H-A	Ice bin divider for 19"d (A) ice bin	\$73	4#	IBD-H-B	Ice bin divider for 24"d (B) ice bin	\$93	4#
IBD-H-A-ED	Ice Bin divider for 19"d (A) extra deep ice bin	\$86	4#				

Bar Fabrication - Choice



C-CBA-36L

NOTE: Ice bins intended to store potable ice must be ordered with an ice bin cover to maintain the sanitation listing



PRODUCT INFORMATION

(see C-CB and C-CB-ED Spec Sheets for complete details)

STANDARD FEATURES

- All stainless steel construction
- PVC plastic breaker strip around ice bin liner acts as a thermal barrier to prevent heat transfer
- Extra deep ice bins have 14-1/2" deep liner for extra ice capacity
- Adjustable thermoplastic bullet feet
- Backsplash is an open channel to provide access for beverage lines

What is a cold plate?

Choice ice bins 24" wide and larger are available with a 10-circuit cold plate built into the bottom liner. A cold plate is an aluminum block with ten stainless steel lines or circuits molded within. Soda lines are attached by the soda vendor to the input and output lines of the cold plate and the soda water and syrup are chilled as they pass through the lines. A cold plate is recommended for ice bins used to make cocktails.

19" DEEP COMBO ICE BINS*

MODEL	LIST	LTH	WGT	ICE CAPACITY	BOTTLES STORED
C-CBA-36L or R	\$1,975	36"	100#	67#	6
C-CBA-42L or R	\$2,096	42"	110#	84#	6
C-CBA-48L or R	\$2,217	48"	120#	100#	6
C-CBA-48	\$2,533	48"	120#	67#	12

WITH 10-CIRCUIT COLD PLATE

C-CBA-36L or R-CP10	\$3,289	36"	170#	67#	6
C-CBA-42L or R-CP10	\$3,455	42"	180#	84#	6
C-CBA-48L or R-CP10	\$3,670	48"	200#	100#	6
C-CBA-48-CP10	\$3,901	48"	200#	67#	12

EXTRA DEEP COMBO ICE BINS WITH 10-CIRCUIT COLD PLATE*

C-CBA-36L or R-CP10-ED	\$3,510	36"	180#	92#	6
C-CBA-42L or R-CP10-ED	\$3,699	42"	190#	116#	6
C-CBA-48L or R-CP10-ED	\$3,937	48"	210#	139#	6
C-CBA-48-CP10-ED	\$4,178	48"	210#	92#	12

*NOTE: These ice bin models are manufactured to order and are not returnable

COMBO ICE BIN ACCESSORIES

SINGLE SPEED RAILS

MODEL	DESCRIPTION	LIST	WGT
C-SR-36	36" single speed rail	\$175	10#
C-SR-42	42" single speed rail	\$190	12#
C-SR-48	48" single speed rail	\$204	13#

DOUBLE SPEED RAILS

C-DR-36	36" double speed rail	\$350	18#
C-DR-42	42" double speed rail	\$380	21#
C-DR-48	48" double speed rail	\$409	24#

CONDIMENT DISPENSER Stainless steel condiment dispenser with hinged plexi-glass lid and six 16 oz. plastic cups.

CCD	Condiment dispenser	\$144	5#
-----	---------------------	-------	----

ICE BIN COVERS Two-piece sliding stainless steel. Ice bins intended to store potable ice must be ordered with an ice bin cover to maintain the sanitation listing.

IBCA-24	24"w ice bin cover for C-CBA-36 or C-CBA-48	\$98	7#
IBCA-30	30"w ice bin cover for C-CBA-42	\$122	8#
IBCA-36	36"w ice bin cover for C-CBA-48L or R	\$165	9#

BOTTLE RACK Vinyl-coated wire racks placed inside the bottle well to assist with holding pour and store bottles. Each combo ice bin bottle well may hold two BR3 bottle racks.

BR3	Bottle rack for 19"d (A) ice bin	\$47	3#
-----	----------------------------------	------	----

ICE BIN DIVIDERS Stainless steel panel placed inside the ice bin front-to-back to separate different types of ice.

IBD-H-A	Ice bin divider for 19"d (A) ice bin	\$73	4#
IBD-H-A-ED	Ice bin divider for 19"d (A) extra deep ice bin	\$86	4#



C-IB-38X24

PRODUCT INFORMATION
(see CB-IB-38x24 Spec Sheet for complete details)

STANDARD FEATURES

- For pass thru design applications allowing both bartender and cocktail server access
- All stainless steel construction
- PVC plastic breaker strip around ice bin liner acts as a thermal barrier to prevent heat transfer
- Adjustable thermoplastic bullet feet

A 24" wide by 38" deep pass-thru ice bin is used to provide the cocktail servers with access to the ice. Pass-thru ice bins have the same features as standard ice bins, except there is no backsplash and the optional sliding cover is double sided. The bartender side of the ice bin lines up with the underbar equipment the same as a standard ice bin. The 38" deep dimension also allows a pass-thru ice bin to line up with back-to-back mounted underbar equipment (see sample drawings).

PASS THRU ICE BIN

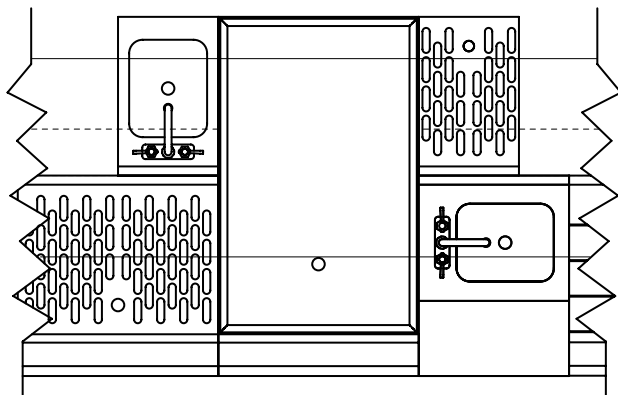
<u>MODEL</u>	<u>LIST</u>	<u>WGT</u>	<u>ICE CAPACITY</u>
C-IB-38X24*	\$2,232	100#	175#
WITH 10-CIRCUIT COLD PLATE			
C-IB-38X24-CP10	\$3,394	190#	175#

*NOTE: This model is manufactured to order and is not returnable

NOTE: Ice bins intended to store potable ice must be ordered with an ice bin cover to maintain the sanitation listing

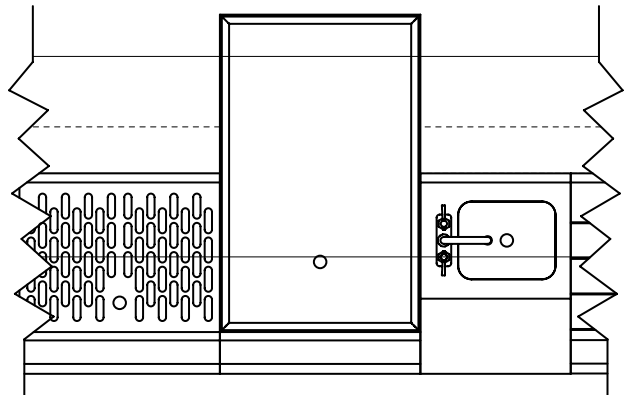
PASS THRU ICE BIN ACCESSORIES

<u>MODEL</u>	<u>DESCRIPTION</u>	<u>LIST</u>	<u>WGT</u>
C-SR-24	24" single speed rail	\$147	7#
C-DR-24	24" double speed rail	\$292	14#
C-IBC-38X24	Three-piece sliding stainless steel cover	\$281	14#
C-BW6-38X24	Set of two BW3 bottle wells with four-piece stainless steel sliding cover for C-IB-38X24	\$339	20#
CCD	Condiment dispenser, stainless steel with hinged plexi-glass lid and six 16 oz. cups	\$144	5#
IBD-H-P	Ice bin divider for C-IB-38X24	\$123	4#
IBD-H-P-CP	Ice bin divider for C-IB-38X24-CP10	\$131	4#
IBD-H-P-LR	Ice bin divider, left to right, for C-IB-38X24	\$93	4#



BARTENDER SIDE

Underbar Plan View with Pass-Thru Ice Bin and Back-to-Back Mounted Underbar



BARTENDER SIDE

Underbar Plan View with Pass-Thru Ice Bin

Bar Fabrication - Choice

Protected by one or more patents. For more information visit:
<https://www.glastender.com/patent.html>

Bar Fabrication - Choice



C-SHA-6

19" DEEP SODA GUN HOLDERS

MODEL	LIST	LENGTH	WEIGHT
C-SHA-4	\$544	4"	22#
C-SHA-4-ED	\$578	4"	24#
C-SHA-6	\$569	6"	25#
C-SHA-6-ED	\$608	6"	27#

24" DEEP SODA GUN HOLDERS

C-SHB-4	\$577	4"	22#
C-SHB-4-ED	\$617	4"	24#
C-SHB-6	\$603	6"	25#
C-SHB-6-ED	\$647	6"	27#

38" DEEP PASS THRU SODA GUN HOLDERS

C-SHP-4	\$870	4"	32#
C-SHP-4-ED	\$928	4"	34#
C-SHP-6	\$921	6"	35#
C-SHP-6-ED	\$984	6"	37#

PRODUCT INFORMATION

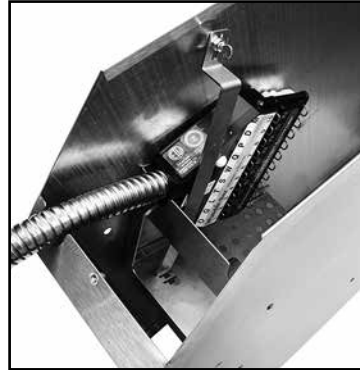
(see C-SH Spec Sheet for complete details)

STANDARD FEATURES

- All stainless steel construction
- Designed to house the manifold of Wunder-Bar® or Schroeder America™ 8 to 14 button soda guns
- Includes integral drip pan with radius corners for easy cleaning
- Built-in holder for soda gun
- Top cover is removable for access to the soda manifold
- Allows you to dictate the soda gun location
- Eliminates the need for tubing bundles above the work surface
- Designed to mount to at least one other piece of underbar equipment (there is no provision for leg mounting)
- Pre-aligned mounting holes and bolts ensure a secure and exact fit when mounting adjoining units
- Extra deep “-ED” models available to align with extra-deep style ice bins



C-SMHA-6



C-SMHA-6 with top cover removed and soda manifold installed

19" DEEP SODA MANIFOLD HOUSINGS

MODEL	LIST	LENGTH	WEIGHT
C-SMHA-4	\$363	4"	20#
C-SMHA-4-ED	\$390	4"	22#
C-SMHA-6	\$389	6"	23#
C-SMHA-6-ED	\$419	6"	25#

24" DEEP SODA MANIFOLD HOUSINGS

C-SMHB-4	\$385	4"	24#
C-SMHB-4-ED	\$432	4"	26#
C-SMHB-6	\$413	6"	28#
C-SMHB-6-ED	\$463	6"	30#

38" DEEP PASS THRU MANIFOLD HOUSING

C-SMHP-4	\$610	4"	35#
C-SMHP-4-ED	\$662	4"	37#
C-SMHP-6	\$656	6"	38#
C-SMHP-6-ED	\$712	6"	40#

PRODUCT INFORMATION

(see C-SMH Spec Sheet for complete details)

STANDARD FEATURES

- All stainless steel construction
- Designed to house the manifold of Wunder-Bar® or Schroeder America™ 8 to 14 button soda guns
- Once installed, the top of the housing is 34" high
- Top cover is removable for access to the soda manifold
- Eliminates the need for tubing bundles above the work surface
- Mounts to an adjacent piece of Choice underbar (there is no provision for leg mounting)
- The soda gun drip cup supplied by the soda gun manufacturer mounts to the underside of your bar top
- Extra deep "-ED" models available to align with extra-deep style ice bins



UMGH



UNDERCOUNTER MOUNT GUN HOLDER

MODEL	LIST	WGT
UMGH	\$103	3#

14 gauge stainless steel with rubber grommet and plastic drip pan. Grommet is specially sized to properly hold both Wunder-Bar® and Schroeder America™ style soda guns. Includes 10' of drain line tube.

Choice Tubing Chases



C-TCA

PRODUCT INFORMATION

(see C-TC Spec Sheet for complete details)

STANDARD FEATURES

- All stainless steel construction
- Tubing chase is 5-1/2" x 6" x 4" high
- Mounts between adjacent underbar equipment (there is no provision for leg mounting)
- Can be set in place after beverage lines are installed

TUBING CHASES

MODEL	LIST	LENGTH	DEPTH	WEIGHT
C-TCA	\$375	6"	19"	20#
C-TCB	\$425	6"	24"	24#



C-BSA-12

PRODUCT INFORMATION

(see C-BS and C-FBS Spec Sheets for complete details)

STANDARD FEATURES

- All stainless steel construction
- One-piece seamless top and backsplash
- Adjustable thermoplastic bullet feet
- Sink models have 9-1/4" by 11-1/2" by 6" deep sink bowl with hot and cold water faucet. A perforated plastic sink strainer is available as an accessory.
- Blender shelf features radius interior corners for easy cleaning
- Power cord access hole with grommet located on front skirt, behind the blender
- 24" deep models have a 9" deep shelf
- 29" deep models have a 10" deep shelf
- Junction box for duplex GFI outlet mounted underneath blender shelf (outlet not included)



C-FBSA-12

24" DEEP BLENDER STATIONS

MODEL	LIST	LENGTH	WEIGHT
C-BSA-12	\$1,289	12"	48#
C-BSA-14	\$1,276	14"	50#
C-BSA-18L†	\$1,330	18"	55#
C-BSA-18R†	\$1,330	18"	55#

29" DEEP BLENDER STATIONS

C-BSB-12	\$1,363	12"	53#
C-BSB-14	\$1,391	14"	55#
C-BSB-18	\$1,454	18"	60#

† Denotes faucet location as left or right

24" DEEP FILLER BOARD BLENDER STATIONS*

MODEL	LIST	LENGTH	WEIGHT
C-FBSA-12	\$704	12"	40#
C-FBSA-14	\$729	14"	42#
C-FBSA-18	\$779	18"	45#

29" DEEP FILLER BOARD BLENDER STATIONS*

C-FBSB-12	\$750	12"	45#
C-FBSB-14	\$777	14"	47#
C-FBSB-18	\$832	18"	50#

*NOTE: These blender stations are manufactured to order and are not returnable



C-BBS-12

Additional blender shelf space can be added to standard underbar units by specifying a Choice Bolt-on Blender Shelf. Choice Bolt-on Blender Shelves are 10" deep and include a junction box for duplex outlet (outlet not included) mounted below the shelf.

BLENDER STATIONS ACCESSORIES

MODEL	DESCRIPTION	LIST	WGT
03000483	Wet waste sink strainer	\$42	1#
C-LS15-F	Left side splash for 24"d blender station	\$111	4#
C-RS15-F	Right side splash for 24"d blender station	\$111	4#
C-LSA-F	Left side splash for 29"d blender station	\$111	4#
C-RSA-F	Right side splash for 29"d blender station	\$111	4#
TR	Towel ring	\$14	1#

WARNING: The plastic wet waste strainer included with this product can expose you to chemicals including Bisphenol A (BPA), which is known to the State of California to cause birth defects or other reproductive harm. For more information, go to www.P65Warnings.ca.gov. **Warning applies to State of California only.** Part #03000483

CHOICE BOLT-ON BLENDER SHELVES

MODEL	DESCRIPTION	LIST	WGT
C-BBS-12	12" bolt-on blender shelf	\$225	12#
C-BBS-18	18" bolt-on blender shelf	\$244	18#



C-FBB-24

PRODUCT INFORMATION

(see C-FB Spec Sheet for complete details)

STANDARD FEATURES

- All stainless steel construction
- Adjustable thermoplastic bullet feet
- One-piece seamless top and backsplash

Choice Filler Boards are constructed of all stainless steel and include a flat work surface for situations where a draining work surface is not desired. Filler boards are not typically used for glass storage, but are more commonly used as a place to set a printer, POS system, or cash drawer.

19" DEEP FILLER BOARDS

MODEL	LIST	LENGTH	WEIGHT
C-FBA-18	\$678	18"	40#
C-FBA-24	\$739	24"	45#

24" DEEP FILLER BOARDS

C-FBB-18	\$759	18"	45#
C-FBB-24	\$837	24"	50#

*NOTE: Filler boards are manufactured to order and are not returnable

FILLER BOARD ACCESSORIES

MODEL	DESCRIPTION	LIST	WGT
C-SR-18	18" single speed rail	\$133	6#
C-SR-24	24" single speed rail	\$147	7#
C-DR-18	18" double speed rail	\$264	11#
C-DR-24	24" double speed rail	\$292	14#
C-LSA-F	Left side splash for C-FBA models	\$111	4#
C-RSA-F	Right side splash for C-FBA models	\$111	4#
C-LSB-F	Left side splash for C-FBB models	\$130	5#
C-RSB-F	Right side splash for C-FBB models	\$130	5#



C-RBD-18

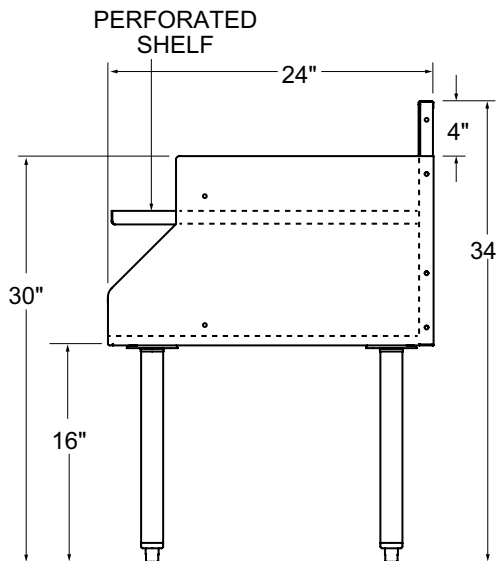
PRODUCT INFORMATION

(see C-RDB Spec Sheet for complete details)

STANDARD FEATURES

- All stainless steel construction
- Adjustable thermoplastic bullet feet
- One-piece seamless top and backsplash featuring 1/4" radius corners for easy cleaning
- Corrugated work surface
- Lift-out stainless steel perforated shelf for stacking glassware

*NOTE: Recessed drainboards are manufactured to order and are not returnable



RECESSED DRAINBOARDS

MODEL	LIST	LENGTH	WEIGHT
C-RDB-12	\$794	12"	50#
C-RDB-18	\$874	18"	55#
C-RDB-24	\$957	24"	60#

Recessed drainboards have the same corrugated work surface as normal drainboards except the work surface has been lowered to allow stacking of glassware. A perforated shelf is placed on top of the first level of glassware and a second layer of glassware is stacked on top of it. Recessed drainboards work best when only one style of glassware is being stored.



C-DBB-12

PRODUCT INFORMATION

(see C-DB Spec Sheet for complete details)

STANDARD FEATURES

- All stainless steel construction
- Adjustable thermoplastic bullet feet
- Corrugated work surface
- One-piece seamless top and backsplash featuring 1/4" radius corners for easy cleaning
- Standard models available in 6" incremental lengths from 12" to 48"
- 24" deep models provide a larger drainboard storage area not just a deck extension on the back of the 19" deep model

19" DRAINBOARDS

MODEL	LIST	LENGTH	WEIGHT
C-DBA-12	\$630	12"	45#
C-DBA-18	\$679	18"	50#
C-DBA-24	\$728	24"	55#
C-DBA-30	\$777	30"	60#
C-DBA-36	\$827	36"	65#
C-DBA-42	\$876	42"	70#
C-DBA-48	\$925	48"	75#

24" DRAINBOARDS

C-DBB-12	\$677	12"	50#
C-DBB-18	\$732	18"	55#
C-DBB-24	\$787	24"	60#
C-DBB-30	\$844	30"	65#
C-DBB-36	\$899	36"	70#
C-DBB-42	\$956	42"	75#
C-DBB-48	\$1,012	48"	80#

DRAINBOARD ACCESSORIES

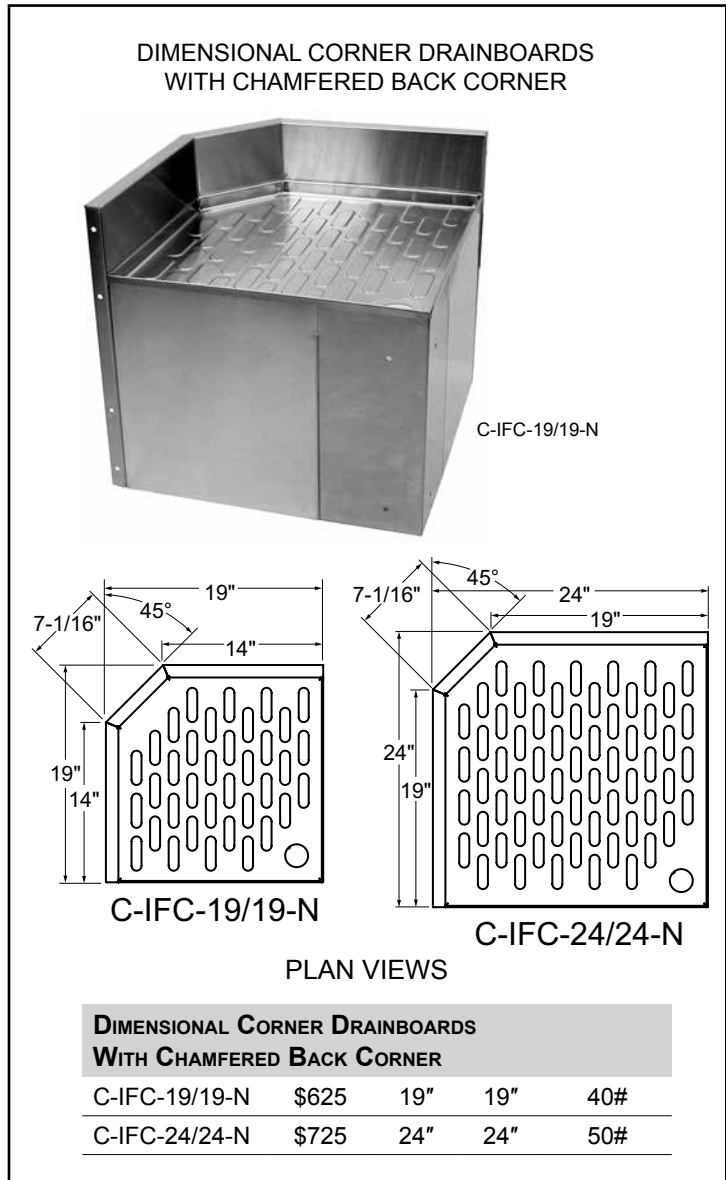
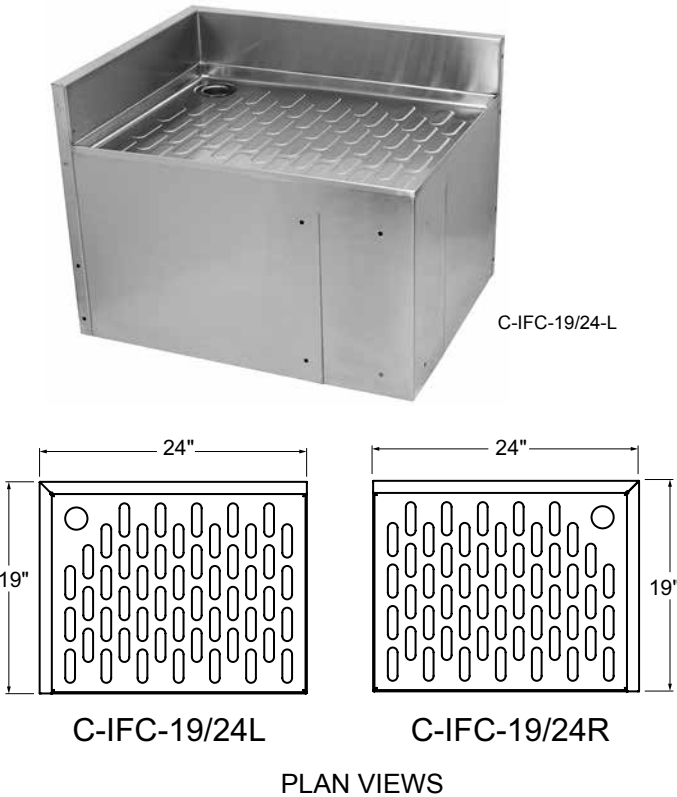
MODEL	DESCRIPTION	LIST	WEIGHT
C-SR-12	12" single speed rail	\$119	5#
C-SR-18	18" single speed rail	\$133	6#
C-SR-24	24" single speed rail	\$147	7#
C-SR-30	30" single speed rail	\$161	9#
C-SR-36	36" single speed rail	\$175	10#
C-SR-42	42" single speed rail	\$190	12#
C-SR-48	48" single speed rail	\$204	13#
C-DR-12	12" double speed rail	\$234	9#
C-DR-18	18" double speed rail	\$264	11#
C-DR-24	24" double speed rail	\$292	14#
C-DR-30	30" double speed rail	\$322	16#
C-DR-36	36" double speed rail	\$350	18#
C-DR-42	42" double speed rail	\$380	21#
C-DR-48	48" double speed rail	\$409	24#
C-LSA-D	Left side splash for C-DBA models	\$111	4#
C-RSA-D	Right side splash for C-DBA models	\$111	4#
C-LSB-D	Left side splash for C-DBB models	\$130	5#
C-RSB-D	Right side splash for C-DBB models	\$130	5#

Bar Fabrication - Choice

Dimensional Full Corner Drainboards are for 90° inside turns only. The dimensions of the corner are specified in the model number. If the dimensions of each side are not the same, the longest dimension is specified second along with its location.

Corner drainboards are designed to mount between two pieces of Choice underbar. However, corner drainboards can be used to mount between any two stable vertical surfaces. Corners should not be mounted to objects that are mobile or on casters.

Because they are intended to mount between two vertical surfaces, corner drainboards do not come with legs. If one side of the corner does not have a vertical surface on which to mount, then a leg set must be ordered as an accessory.



DIMENSIONAL CORNER DRAINBOARDS WITH CHAMFERED BACK CORNER				
C-IFC-19/19-N	\$625	19"	19"	40#
C-IFC-24/24-N	\$725	24"	24"	50#

PRODUCT INFORMATION

(see C-IFC Spec Sheet for complete details)

STANDARD FEATURES

- All stainless steel construction
- Designed to mount between two adjacent pieces of Choice underbar equipment
- Corrugated work surface features 1/4" radius corners for easy cleaning

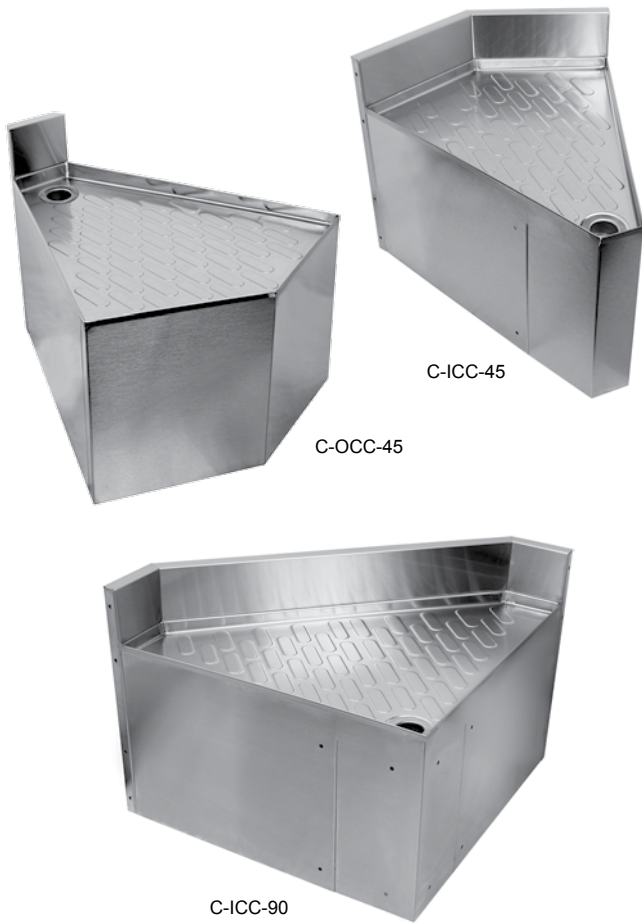
DIMENSIONAL CORNER DRAINBOARDS

MODEL	LIST	LEFT	RIGHT	WEIGHT
C-IFC-19/19	\$625	19"	19"	40#
C-IFC-19/24L	\$674	24"	19"	45#
C-IFC-19/24R	\$674	19"	24"	45#
C-IFC-19/30L	\$732	30"	19"	50#
C-IFC-19/30R	\$732	19"	30"	50#
C-IFC-24/24	\$725	24"	24"	50#
C-IFC-24/30L	\$790	30"	24"	55#
C-IFC-24/30R	\$790	24"	30"	55#

DIMENSIONAL CORNER DRAINBOARD ACCESSORY

MODEL	DESCRIPTION	LIST	WEIGHT
C-ULEG-2	Set of two legs for Choice underbar	\$88	6#

Bar Fabrication - Choice



Degree corner drainboards are all 24" deep and designed to mount between two pieces of Choice underbar. However, corner drainboards can be used to mount between any two stable vertical surfaces. Corners should not be mounted to objects that are mobile or on casters.

Because they are intended to mount between two vertical surfaces, corner drainboards do not come with legs. If one side of the corner does not have a vertical surface on which to mount, then a leg set must be ordered as an accessory.

PRODUCT INFORMATION

(see C-ICC and C-OCC Spec Sheets for complete details)

STANDARD FEATURES

- All stainless steel construction
- Designed to mount between two adjacent pieces of Choice underbar equipment
- Corrugated work surface features 1/4" radius corners for easy cleaning

24" DEEP DEGREE CORNER DRAINBOARDS

MODEL	LIST	DEGREE	TURN	WEIGHT
C-ICC-45	\$663	45°	Inside	38#
C-ICC-90	\$713	90°	Inside	45#
C-OCC-45	\$725	45°	Outside	40#

DEGREE CORNER DRAINBOARD ACCESSORY

MODEL	DESCRIPTION	LIST	WEIGHT
C-ULEG-2	Set of two legs for Choice underbar	\$88	6#

Bar Fabrication - Choice

Choice Corner Filler Boards



Corner filler boards are all 24" deep and available for small degree inside turns. Corner filler boards are designed to mount between two pieces of Choice underbar. However, corner filler boards can be used to mount between any two stable vertical surfaces. Corners should not be mounted to objects that are mobile or on casters.

Because they are small and intended to mount between two vertical surfaces, corner filler boards do not come with legs or have optional legs available. If one side of the flat top corner filler does not have a vertical surface on which to mount, the end user must ensure the one adjoining surface is secure and stable.

24" DEEP CORNER FILLER BOARDS

MODEL	LIST	DEGREE	WEIGHT
C-FIB-5	\$326	5°	25#
C-FIB-10	\$335	10°	27#
C-FIB-15	\$367	15°	29#
C-FIB-20	\$382	20°	31#
C-FIB-25	\$395	25°	33#
C-FIB-30	\$410	30°	35#

PRODUCT INFORMATION

(see C-FIB Spec Sheet for complete details)

STANDARD FEATURES

- All stainless steel construction
- Designed to mount between two adjacent pieces of Choice underbar equipment

Glassracks are designed to hold racks of glassware stacked on top of each other. The 24" wide model holds 20" by 20" racks and the 18" wide models hold the 16" round racks used with the Glastender GT-18 glasswashers. Optional shelves are available as an accessory.

PRODUCT INFORMATION

(see C-GR Spec Sheet for complete details)

STANDARD FEATURES

- All stainless steel construction
- Adjustable thermoplastic bullet feet
- Full bottom shelf includes drain

19" DEEP OPEN GLASSRACKS*

MODEL	LIST	LENGTH	WEIGHT
C-GRA-18	\$952	18"	55#
C-GRA-24	\$1,015	24"	65#

24" DEEP OPEN GLASSRACKS

C-GRB-18	\$1,089	18"	65#
C-GRB-24	\$1,160	24"	75#

*NOTE: 19" deep open glassracks are manufactured to order and are not returnable

OPEN GLASSRACK ACCESSORY

MODEL	DESCRIPTION	LIST	WEIGHT
03013601	Shelf kit for 18" wide model, includes two shelves and eight clips	\$233	7#
03013602	Shelf kit for 24" wide model, includes two shelves and eight clips	\$252	8#



Choice Drainboard Glassracks



Drainboard Glassracks are designed to hold racks for glassware. All models are 24" deep. The 24" wide model holds 20" by 20" racks and the 18" wide model holds the 16" round racks used with Glastender GT-18 glasswashers.

PRODUCT INFORMATION

(see C-DBG Spec Sheet for complete details)

STANDARD FEATURES

- All stainless steel construction
- Adjustable thermoplastic bullet feet
- One-piece seamless top and backsplash featuring 1/4" radius corners for easy cleaning
- Corrugated work surface
- Includes bottom floor and two sets of rack slides for storing up to three glass racks below the work surface

NOTE: Three racks up to 7" high or two racks up to 10-1/2" high.

24" DEEP DRAINBOARD GLASSRACKS

MODEL	LIST	LENGTH	WEIGHT
C-DBG3-18	\$1,025	18"	70#
C-DBG3-24	\$1,134	24"	80#

DRAINBOARD GLASSRACK ACCESSORIES

MODEL	DESCRIPTION	LIST	WGT
C-LSB-D	Left side splash for 24"d (B) models	\$130	5#
C-RSB-D	Right side splash for 24"d (B) models	\$130	5#

Drainboard Cabinets have a bottom shelf and drainboard work surface. An adjustable intermediate shelf is available as an accessory. They are available with or without doors. The models with doors come with a lock standard. The 12", 18", and 24" wide models only have one door and all other models have two doors.



C-DBC-24

PRODUCT INFORMATION

(see C-DBC Spec Sheet for complete details)

STANDARD FEATURES

- All stainless steel construction
- Adjustable thermoplastic bullet feet
- One-piece seamless top and backsplash featuring 1/4" radius corners for easy cleaning
- Corrugated work surface
- Lock(s) standard on models with a door(s)
- Units with a single door come hinged left, but the door is field reversible
- Plumbing connection is made underneath the unit and does not interfere with shelf or floor

DRAINBOARD CABINET ACCESSORIES

MODEL	DESCRIPTION	LIST	WEIGHT
03013585	Shelf kit for C-DBCA-12	\$81	5#
03013586	Shelf kit for C-DBCA-18	\$97	6#
03013587	Shelf kit for C-DBCA-24	\$114	7#
03013588	Shelf kit for C-DBCA-30	\$132	8#
03013589	Shelf kit for C-DBCA-36	\$147	10#
03013590	Shelf kit for C-DBCA-42	\$165	11#
03013591	Shelf kit for C-DBCA-48	\$182	12#
03013592	Shelf kit for C-DBC-12	\$92	5#
03013593	Shelf kit for C-DBC-18	\$113	7#
03013594	Shelf kit for C-DBC-24	\$136	8#
03013595	Shelf kit for C-DBC-30	\$158	10#
03013596	Shelf kit for C-DBC-36	\$180	12#
03013597	Shelf kit for C-DBC-42	\$202	13#
03013598	Shelf kit for C-DBC-48	\$223	15#
C-LSA-D	Left side splash for 19"d (A) models	\$111	4#
C-RSA-D	Right side splash for 19"d (A) models	\$111	4#
C-LSB-D	Left side splash for 24"d (B) models	\$130	5#
C-RSB-D	Right side splash for 24"d (B) models	\$130	5#

19" DRAINBOARD CABINETS*

MODEL	LIST	LENGTH	WEIGHT
C-DBCA-12	\$1,107	12"	65#
C-DBCA-18	\$1,239	18"	75#
C-DBCA-24	\$1,372	24"	85#
C-DBCA-30	\$1,592	30"	95#
C-DBCA-36	\$1,723	36"	105#
C-DBCA-42	\$1,856	42"	115#
C-DBCA-48	\$1,988	48"	125#

19" DRAINBOARD CABINETS LESS DOORS*

C-DBCA-12-LD	\$800	12"	59#
C-DBCA-18-LD	\$885	18"	66#
C-DBCA-24-LD	\$970	24"	73#
C-DBCA-30-LD	\$1,055	30"	80#
C-DBCA-36-LD	\$1,141	36"	87#
C-DBCA-42-LD	\$1,226	42"	94#
C-DBCA-48-LD	\$1,311	48"	101#

24" DRAINBOARD CABINETS

C-DBC-12	\$1,103	12"	75#
C-DBC-18	\$1,237	18"	85#
C-DBC-24	\$1,371	24"	95#
C-DBC-30	\$1,587	30"	105#
C-DBC-36	\$1,721	36"	115#
C-DBC-42	\$1,855	42"	125#
C-DBC-48	\$1,989	48"	135#

24" DRAINBOARD CABINETS LESS DOORS

C-DBC-12-LD	\$815	12"	69#
C-DBC-18-LD	\$906	18"	76#
C-DBC-24-LD	\$996	24"	83#
C-DBC-30-LD	\$1,086	30"	90#
C-DBC-36-LD	\$1,176	36"	97#
C-DBC-42-LD	\$1,265	42"	104#
C-DBC-48-LD	\$1,356	48"	111#

*NOTE: 19" drainboard cabinets are manufactured to order and are not returnable



C-HSA-12-D

19" DEEP HAND SINKS

MODEL	LIST	LENGTH	WEIGHT
C-HSA-12	\$1,140	12"	45#
C-HSA-12-D	\$1,357	12"	50#

19" DEEP WET WASTE SINK

C-SWA-12	\$1,182	12"	47#
----------	---------	-----	-----

24" DEEP HAND SINKS

C-HSB-12	\$1,203	12"	50#
C-HSB-12-D	\$1,424	12"	55#

24" DEEP WET WASTE SINK

C-SWB-12	\$1,245	12"	52#
----------	---------	-----	-----



03000483



TR

PRODUCT INFORMATION

(see C-HS Spec Sheet for complete details)

STANDARD FEATURES

- Manufactured with total welded construction to meet NSF® standards
- All stainless steel construction
- One-piece seamless top and backsplash featuring 1/4" radius corners for easy cleaning
- Adjustable thermoplastic feet
- 9-1/4" by 11-1/2" by 6" deep sink bowl with hot and cold water gooseneck faucet with 2.0 GPM aerator
- Models C-HSA-12-D and C-HSB-12-D feature a soap dispenser and front skirt mounted C-fold paper towel dispenser
- Wet waste sink models C-SWA-12 and C-SWB-12 include a lift-out perforated plastic wet waste strainer

SINGLE BOWL SINK ACCESSORIES

MODEL	DESCRIPTION	LIST	WEIGHT
C-SR-12	12" single speed rail, cannot mount to "-D" models	\$119	5#
C-DR-12	12" double speed rail, cannot mount to "-D" models	\$234	9#
C-DWR-S	Dry waste rail, aligns with single speed rail, cannot mount to "-D" models	\$141	5#
C-DWR-D	Dry waste rail, aligns with double speed rail, cannot mount to "-D" models	\$287	9#
C-LSA-D	Left side splash for 19"deep (A) models	\$111	4#
C-RSA-D	Right side splash for 19"deep (A) models	\$111	4#
C-LSB-D	Left side splash for 24"deep (B) models	\$130	5#
C-RSB-D	Right side splash for 24"deep (B) models	\$130	5#
03000483	Wet waste sink strainer (standard on "SW" models)	\$42	2#
03000511	Wrist handles, set of two	\$35	2#
TR	Towel ring	\$14	1#
DWC	Trash receptacle, stainless steel	\$367	10#
03005491	Trash receptacle, 28½ qt., gray plastic	\$53	5#
TD-C	Paper towel dispenser, C-fold	\$201	5#
03001873	Liquid soap dispenser, hand-pump	\$58	1#
03014739	Aerator, faucet, 1.5 GPM	\$10	1#
03014738	Aerator, faucet, 0.5 GPM	\$10	1#
03014737	Aerator, faucet, 0.2 GPM	\$10	1#

WARNING: The plastic wet waste strainer included with this product can expose you to chemicals including Bisphenol A (BPA), which is known to the State of California to cause birth defects or other reproductive harm. For more information, go to www.P65Warnings.ca.gov. **Warning applies to State of California only.** Part #03000483

All Sink Cabinets are 24" deep and available with or without a locking door. The 12" wide chemical storage cabinet holds three 1-gallon chemical containers. The 18" wide dry waste cabinet holds a trash receptacle and has a 6" round trash chute in the work surface. The trash receptacle is not included.

The two 24" wide models include a 12" drainboard section with corrugated work surface. A vertical center divider allows three 1-gallon chemical containers to be stored below the sink with the other side of the cabinet available for additional storage. An intermediate shelf for the cabinet storage below the drainboard is available as an accessory. The sink may be located to the left or right, which is signified by the L or R in the model number.



C-SC-12



C-SC-18



C-SC-24R

12" WIDE X 24" DEEP SINK CABINETS

MODEL	LIST	LTH	WGT
C-SC-12	\$1,722	12"	70#
C-SC-12-LD	\$1,425	12"	64#

18" WIDE X 24" DEEP SINK CABINETS

MODEL	LIST	LTH	WGT
C-SC-18	\$1,829	18"	80#
C-SC-18-LD	\$1,470	18"	71#

24" WIDE X 24" DEEP SINK CABINETS

MODEL	LIST	LTH	WGT
C-SC-24L*	\$2,203	24"	95#
C-SC-24R*	\$2,203	24"	95#
C-SC-24L-LD*	\$1,757	24"	83#
C-SC-24R-LD*	\$1,757	24"	83#

*L = Sink Left, R = Sink Right

WARNING: The plastic wet waste strainer included with this product can expose you to chemicals including Bisphenol A (BPA), which is known to the State of California to cause birth defects or other reproductive harm. For more information, go to www.P65Warnings.ca.gov.
Warning applies to State of California only. Part #03000483

PRODUCT INFORMATION

(see C-SC Spec Sheet for complete details)

STANDARD FEATURES

- Manufactured with total welded construction to meet NSF® standards
- All stainless steel construction
- One-piece seamless top and backsplash featuring 1/4" radius corners for easy cleaning
- Adjustable thermoplastic feet
- 9-1/4" by 11-1/2" by 6" deep sink bowl with hot and cold water gooseneck faucet
- Cabinet base with front hinged access door (available less door - specify "-LD" suffix in model number)

SINK CABINET ACCESSORIES

MODEL	DESCRIPTION	LIST	WEIGHT
03000483	Wet waste strainer	\$42	2#
C-LSB-D	Left side splash	\$130	5#
C-RSB-D	Right side splash	\$130	5#
DWC	Trash receptacle, stainless steel, for C-SC-18 models	\$367	10#
03005491	Trash receptacle, 28-1/2 qt, plastic, for C-SC-18 models	\$53	5#
TR	Towel ring	\$14	1#
03013600	Shelf kit for storage area below drainboard on C-SC-24 models	\$117	5#
03000511	Wrist handles (set of two)	\$35	2#

All faucets are certified low lead compliant

PRODUCT INFORMATION
(see C-Mixology Units Spec Sheet for complete details)

STANDARD FEATURES

- Manufactured with total welded construction to meet NSF® standards
- All stainless steel construction
- One-piece seamless top and backsplash featuring 1/4" radius corners for easy cleaning
- Adjustable thermoplastic bullet feet (does not include C-MFT-8)

C-MRS-12 MIXOLOGY UNIT
Includes backsplash faucet, push-down rinsing faucet to rinse shaker cans, and a lift-out perforated plastic sink strainer

MODEL	LIST	LTH	WGT
C-MRS-12	\$1,661	12"	55#



C-MTS-14 MIXOLOGY UNIT

Includes backsplash faucet, push-down rinsing faucet to rinse shaker cans, a lift-out perforated plastic sink strainer, a 6" diameter seamless welded draining dipper well and faucet for mixology tools

MODEL	LIST	LTH	WGT
C-MTS-14	\$2,473	14"	55#



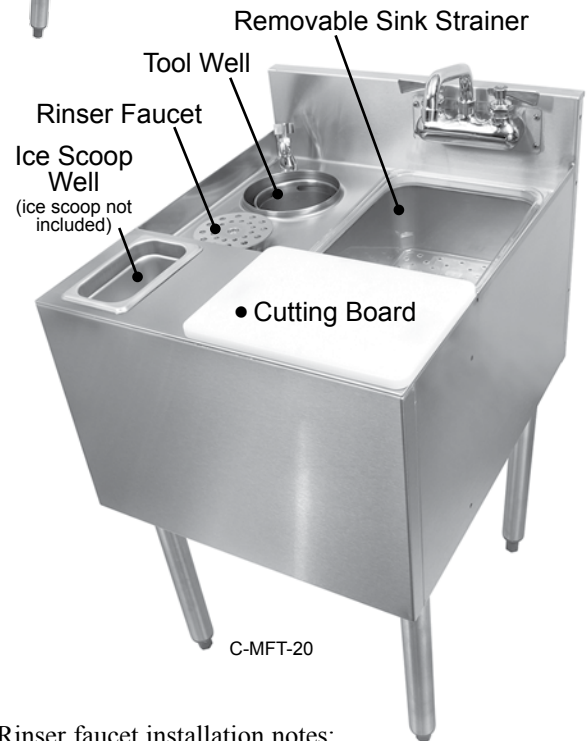
C-MFS-12 MIXOLOGY UNIT

Includes backsplash faucet, a lift-out perforated plastic sink strainer, and an 8" x 11" cutting board that is securely mounted but easily removable for cleaning

MODEL	LIST	LTH	WGT
C-MFS-12	\$1,563	12"	55#

C-MFT-20 MIXOLOGY UNIT
Includes backsplash faucet, push-down rinsing faucet to rinse shaker cans, a lift-out perforated plastic sink strainer, a 6" diameter seamless welded draining dipper well and faucet for mixology tools, an 8" x 11" cutting board that is securely mounted but easily removable for cleaning, and an ice scoop well

MODEL	LIST	LTH	WGT
C-MFT-20	\$2,720	20"	65#



C-MFT-8 MIXOLOGY UNIT
Includes push-down rinsing faucet to rinse shaker cans, a 6" diameter seamless welded draining dipper well and faucet for mixology tools, and a 7-1/2" x 7-1/2" cutting board that is securely mounted but easily removable for cleaning. NOTE: No legs. Must mount to adjacent under-bar.

MODEL	LIST	LTH	WGT
C-MFT-8	\$1,670	8"	40#



MIXOLOGY SINK ACCESSORIES

MODEL	DESCRIPTION	LIST	WGT
C-LSM	Left side splash, C-MFS-12, C-MFT-8, C-MFT-20	\$111	4#
C-RSM	Right side splash, C-MFS-12, C-MFT-8, C-MFT-20	\$111	4#
C-LSB-D	Left side splash for 24"d models	\$130	5#
C-RSB-D	Right side splash for 24"d models	\$130	5#

- Rinsing faucet installation notes:
- Important: Unit must be installed in conformance with applicable federal, state, and local plumbing codes, including adequate backflow when required.
 - Install in-line water regulator (included).
 - A separate shut-off valve is recommended (not included).

WARNING: The plastic wet waste strainer included with this product can expose you to chemicals including Bisphenol A (BPA), which is known to the State of California to cause birth defects or other reproductive harm. For more information, go to www.P65Warnings.ca.gov. Part #03000483
Warning applies to State of California only.

Bar Fabrication - Choice

TWO COMPARTMENT SINKS

19" DEEP		24" DEEP		OVERALL LENGTH	SINK LOCATION	DRAINBOARD LENGTH	WEIGHT
MODEL	LIST	MODEL	LIST				
C-DSA-24*	\$1,833	C-DSB-24*	\$1,846	24"	Center	N/A	90#
C-DSA-36L*	\$1,936	C-DSB-36L*	\$1,960	36"	Left	12"	100#
C-DSA-36R*	\$1,936	C-DSB-36R*	\$1,960	36"	Right	12"	100#
C-DSA-48*	\$2,036	C-DSB-48*	\$2,074	48"	Center	2 @ 12"	110#

THREE COMPARTMENT SINKS

C-TSA-36	\$2,076	C-TSB-36	\$2,099	36"	Center	N/A	110#
C-TSA-48L*	\$2,172	C-TSB-48L*	\$2,207	48"	Left	12"	120#
C-TSA-48R*	\$2,172	C-TSB-48R*	\$2,207	48"	Right	12"	120#
C-TSA-60	\$2,289	C-TSB-60	\$2,339	60"	Center	2 @ 12"	130#
C-TSA-72	\$2,382	C-TSB-72	\$2,442	72"	Center	2 @ 18"	145#
C-TSA-84*	\$2,487	C-TSB-84*	\$2,564	84"	Center	2 @ 24"	160#
C-TSA-96*	\$2,580	C-TSB-96*	\$2,669	96"	Center	2 @ 30"	175#

FOUR COMPARTMENT SINKS

C-FSA-48	\$2,521	C-FSB-48	\$2,656	48"	Center	N/A	125#
C-FSA-72	\$2,734	C-FSB-72	\$2,791	72"	Center	2 @ 12"	155#
C-FSA-84*	\$2,841	C-FSB-84*	\$2,914	84"	Center	2 @ 18"	170#
C-FSA-96*	\$2,932	C-FSB-96*	\$3,018	96"	Center	2 @ 24"	185#

MULTIPLE SINK ACCESSORIES

MODEL	DESCRIPTION	LIST	WGT
C-SR-24	24" single speed rail	\$147	7#
C-SR-36	36" single speed rail	\$175	10#
C-SR-42	42" single speed rail	\$190	12#
C-SR-48	48" single speed rail	\$204	13#
C-SR-60	60" single speed rail	\$282	18#
C-SR-72	72" single speed rail	\$311	23#
C-DR-24	24" double speed rail	\$292	14#
C-DR-36	36" double speed rail	\$350	18#
C-DR-42	42" double speed rail	\$380	21#
C-DR-48	48" double speed rail	\$409	24#
C-DR-60	60" double speed rail	\$533	32#
C-DR-72	72" double speed rail	\$592	40#

NOTE: For 84" sink order two 42" speed rails or for 96" sink order two 48" speed rails.

C-LSA-D	Left side splash for 19"d (A) models	\$111	4#
C-RSA-D	Right side splash for 19"d (A) models	\$111	4#
C-LSB-D	Left side splash for 24"d (B) models	\$130	5#
C-RSB-D	Right side splash for 24"d (B) models	\$130	5#
TR	Towel ring	\$14	1#
LWS	Large wet waste strainer, plastic	\$108	2#
03002552	Sink cover, perforated, for C-DS models	\$108	5#
03002553	Sink cover, perforated, for C-TS models	\$161	8#
03002554	Sink cover, perforated, for C-FS models	\$216	12#

PRODUCT INFORMATION

(see C-DS, CTS, and C-FS Spec Sheets for complete details)

STANDARD FEATURES

- All stainless steel construction and adjustable thermoplastic bullet feet
- One-piece seamless top and backsplash featuring 1/4" radius corners for easy cleaning
- 20 gauge stainless steel fabricated sink bowls are 70% thicker than the competition's 20 gauge drawn bowls
- 11" by 14" by 10-1/4" deep sink bowl with hot and cold water faucet
- Extra wide sink bowl easily accommodates brush washer
- Perforated stainless steel inserts are available to cover sinks when not in use
- One over-flow tube per sink bowl included



C-TSA-60

Multiple Sinks come in three different varieties: two, three, and four compartment. They feature a one-piece stainless steel top that is seamless all the way through the backsplash. Each variety is offered with or without built-in drainboards on one or both sides of the sink compartment. The corrugated drainboards, where included, are a seamless and integral part of the work surface. The seamless welded bowls are 20 gauge fabricated stainless steel. An 'L' or 'R' suffix in the model number designates the location of the sink compartment as left or right when there is only one drainboard.

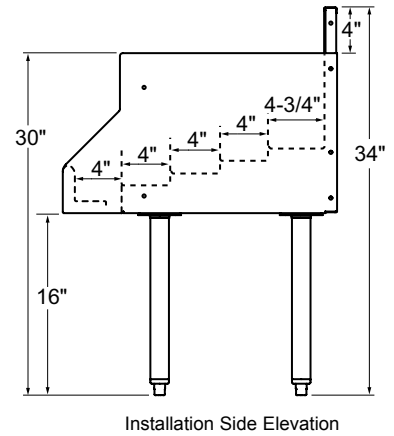
*NOTE: These multiple sinks are manufactured to order and are not returnable

PRODUCT INFORMATION

(see C-LD Spec Sheet for complete details)

STANDARD FEATURES

- Easily usable height for storage
- All stainless steel construction and thermoplastic bullet feet
- Five (5) levels of liquor bottle storage
- Integrated bottle retaining rails
- Front rail matches speed rail appearance for design continuity
- Rear step on each model is extra wide (4-3/4") for specialty liquor bottles



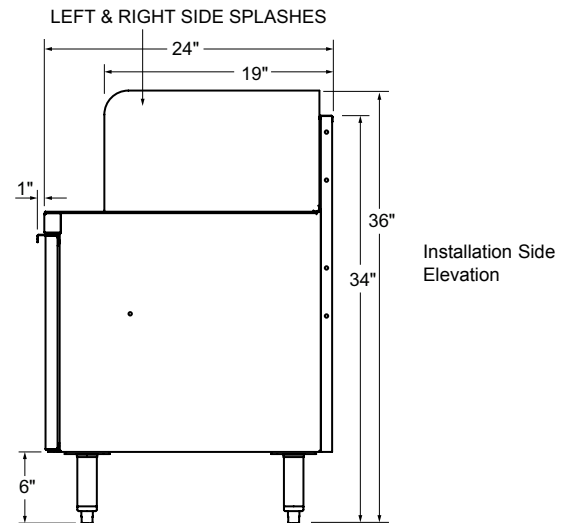
C-LD-18

24" DEEP LIQUOR DISPLAYS

MODEL	LIST	LENGTH	WEIGHT
C-LD-12	\$886	12"	50#
C-LD-18	\$962	18"	55#
C-LD-24	\$1,039	24"	60#



C-PCB-24



PRODUCT INFORMATION

(see C-PCB Spec Sheet for complete details)

STANDARD FEATURES

- All stainless steel construction with adjustable thermoplastic bullet feet
- One-piece seamless top and backsplash
- Louvered door for air flow on models with a door
- Lock standard on models with a door
- Special 26" high work surface height to accommodate cash drawer and POS monitor
- Grommeted cord access hole in work surface
- Large access hole in back wall of unit
- Includes left and right side splashes

24" DEEP POS CABINETS

MODEL	LIST	LENGTH	WEIGHT
C-PCB-18	\$1,727	18"	75#
C-PCB-24	\$1,892	24"	85#

24" DEEP POS CABINETS LESS DOORS

C-PCB-18-LD	\$1,395	18"	66#
C-PCB-24-LD	\$1,516	24"	73#

Bar Fabrication - Choice

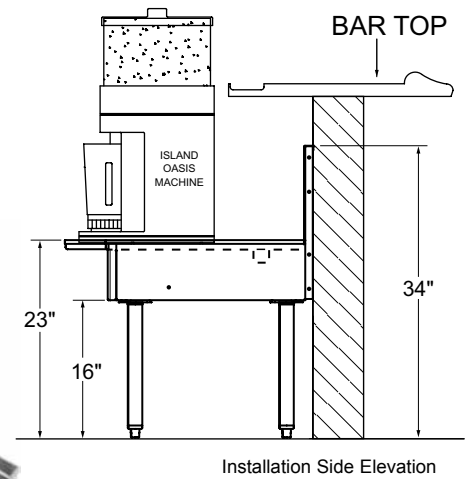
The Choice Island Oasis® Stand is designed for use with the model number SB-3X Island Oasis® machine. The 18" wide by 29" deep stand has a lowered draining work surface and extended front to allow the machine to be stored at a convenient and usable height. In most bar applications, the clear plastic ice container will be visible above the bar top.

PRODUCT INFORMATION

(see C-IOS Spec Sheet for complete details)

STANDARD FEATURES

- All stainless steel construction
- Adjustable thermoplastic bullet feet
- 1" deep drain pan work surface to capture excess moisture
- One-piece seamless top and backsplash featuring 1/4" radius corners for easy cleaning
- Lowered work surface with extended front
- Designed to keep the majority of the Island Oasis® (model #SB-3X) below the bar top with only the clear plastic ice tub visible above the bar top
- Chamfered front to eliminate "knee knockers"



ISLAND OASIS® STAND			
MODEL	LIST	LENGTH	WEIGHT
C-IOS-18	\$945	18"	50#

Bar Fabrication - Choice

Choice Beer Drainers*

Pricing effective January 1, 2020

Beer Drainers have a 26" high, lowered work surface and are designed specifically for use with undercounter mounting beverage dispensers. The work surface includes a drain pan with perforated insert to serve as the drip pan for the dispenser and the backsplash is pulled forward 5" to provide access for beverage lines.

24" DEEP BEER DRAINERS

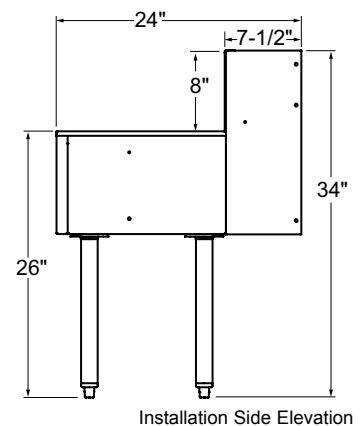
MODEL	LIST	LENGTH	WEIGHT
C-BD-18	\$739	18"	55#
C-BD-24	\$824	24"	60#
C-BD-30	\$908	30"	65#
C-BD-36	\$992	36"	70#

PRODUCT INFORMATION

(see C-BD Spec Sheet for complete details)

STANDARD FEATURES

- All stainless steel construction
- Designed with lowered work surface to work in conjunction with undercounter mounting beverage dispensers
- Adjustable thermoplastic bullet feet
- Backsplash pulled forward 5" to create large chaseway for beverage line access
- Front drain pan with lift-out stainless steel perforated insert



*NOTE: Beer drainers are manufactured to order and are not returnable



C-DW-15L

There are three different Dry Waste Chute models to meet various installation requirements. For all three models, the top lifts up for emptying the trash receptacle. The top also lifts off completely for more thorough cleaning. The C-DW-12 is designed for mounting between two adjacent pieces of Choice underbar. The C-DW-15L and C-DW-15R include a left or right side and leg set, respectively, for mounting to just one piece of Choice underbar. The C-DW-18 is free standing. All models are designed to house a Rubbermaid® Slim Jim™ trash receptacle, which is available from Glastender under part number 03000497.

PRODUCT INFORMATION

(see C-DW Spec Sheet for complete details)

STANDARD FEATURES

- All stainless steel construction
- Top lifts off completely for thorough cleaning
- Matches 30" high work surface profile of adjacent equipment
- Designed to house the Rubbermaid® Slim Jim™ trash receptacle

24" DEEP DRY WASTE CHUTES

MODEL	LIST	LEG POSITION	LENGTH	WEIGHT
C-DW-12	\$413	N/A	12"	30#
C-DW-15L	\$726	Left	15"	45#
C-DW-15R	\$726	Right	15"	45#
C-DW-18*	\$1,090	Left & Right	18"	60#

DRY WASTE CHUTE ACCESSORY

MODEL	DESCRIPTION	LIST	WEIGHT
03000497	Slim Jim trash receptacle	\$177	10#

*NOTE: C-DW-18 dry waste chutes are manufactured to order and are not returnable

Choice Clip-On Dry Waste Rails

PRODUCT INFORMATION

(see C-DWR Spec Sheet for complete details)

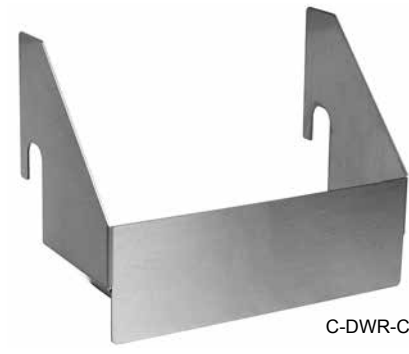
There are three different Clip-On Dry Waste Rail models to meet various installation requirements. For all three versions, the dry waste chute portion easily lifts off for thorough cleaning.



C-DWR-S



C-DWR-D



C-DWR-C

The C-DWR-S is 5" deep front-to-back and designed to align with adjacent equipment that has a single speed rail.

The C-DWR-D model is 10" deep front-to-back and designed to align with adjacent equipment that has a double speed rail. The C-DWR-D has a speed rail step in the back with the dry waste chute at the front.

The C-DWR-C model is designed to clip to another speed rail and adds 5" to the front-to-back depth.

STANDARD FEATURES

- All stainless steel construction
- Matches speed rail profile for continuity of design
- Bolts to the front skirt of non-cabinet base underbar equipment or clips to the rail of an underbar speed rails
- Stainless steel chute is removable for cleaning

CLIP-ON DRY WASTE RAILS

MODEL	LIST	LENGTH	DEPTH	WEIGHT
C-DWR-S	\$141	12"	5"	5#
C-DWR-D	\$287	12"	10"	9#
C-DWR-C	\$145	12"	5"	5#

SINGLE SPEED RAILS

MODEL	LIST	LENGTH	WEIGHT
C-SR-12	\$119	12"	5#
C-SR-13 to 18	\$133	13" to 18"	6#
C-SR-19 to 24	\$147	19" to 24"	7#
C-SR-25 to 30	\$161	25" to 30"	9#
C-SR-31 to 36	\$175	31" to 36"	10#
C-SR-37 to 42	\$190	37" to 42"	12#
C-SR-43 to 48	\$204	43" to 48"	13#
C-SR-49 to 54	\$268	49" to 54"	16#
C-SR-55 to 60	\$282	55" to 60"	18#
C-SR-61 to 66	\$296	61" to 66"	21#
C-SR-67 to 72	\$311	67" to 72"	23#



C-SR-18



C-DR-24

DOUBLE SPEED RAILS

MODEL	LIST	LENGTH	WEIGHT
C-DR-12	\$234	12"	9#
C-DR-13 to 18	\$264	13" to 18"	11#
C-DR-19 to 24	\$292	19" to 24"	14#
C-DR-25 to 30	\$322	25" to 30"	16#
C-DR-31 to 36	\$350	31" to 36"	18#
C-DR-37 to 42	\$380	37" to 42"	21#
C-DR-43 to 48	\$409	43" to 48"	24#
C-DR-49 to 54	\$504	49" to 54"	28#
C-DR-55 to 60	\$533	55" to 60"	32#
C-DR-61 to 66	\$562	61" to 66"	36#
C-DR-67 to 72	\$592	67" to 72"	40#

PRODUCT INFORMATION

(see C-SR and C-DR Spec Sheets for complete details)

STANDARD FEATURES

- All stainless steel construction
- Available in single and double step models
- Available in custom lengths up to 72".
NOTE: Custom lengths are manufactured to order and are not returnable.
- Locking covers are available in custom lengths up to 48". For longer speed rails order two covers at half the length. For double speed rails order two times the number of covers.



C-SRC-18



C-SRC-18
Shown installed
on speed rail

LOCKING SPEED RAIL COVERS

MODEL	LIST	LENGTH	WEIGHT
C-SRC-12	\$223	12"	7#
C-SRC-13 to 18	\$242	13" to 18"	9#
C-SRC-19 to 24	\$259	19" to 24"	11#
C-SRC-25 to 30	\$278	25" to 30"	13#
C-SRC-31 to 36	\$298	31" to 36"	16#
C-SRC-37 to 42	\$316	37" to 42"	18#
C-SRC-43 to 48	\$335	43" to 48"	21#

Model number C-MD-41 Choice modular bar die has an overall height of 41", which provides the appropriate overall height for most bar applications. However, some interior designs require an extra thick bar top, so Choice modular bar die is also available with an overall height of 38". See model C-MD-38.

With the Choice Modular Bar Die, underbar equipment is mounted to and supported on the bar die. All the underbar equipment is pre-assembled and mounted to the bar die at the factory, then broken down into shippable sections. Installation of the bar die is very simple - easier than a conventional style underbar with a millwork bar die. The result is a beautiful, innovative underbar line up that is sealed to the floor, stainless from floor to bar top, eliminates all underbar leg sets, and hides the soda, beer, electrical, and plumbing lines.

PRODUCT INFORMATION

(see C-MD Spec Sheet for complete details)

FEATURES

- 16 gauge galvanized steel structure with stainless steel bartender side finishing
- GFI outlets built into bar die wall based on customer preference (wiring not provided)
- LED lights built into bar die wall above underbar equipment (wiring not provided)
- Built in chaseways for beer, soda, plumbing, and electrical lines

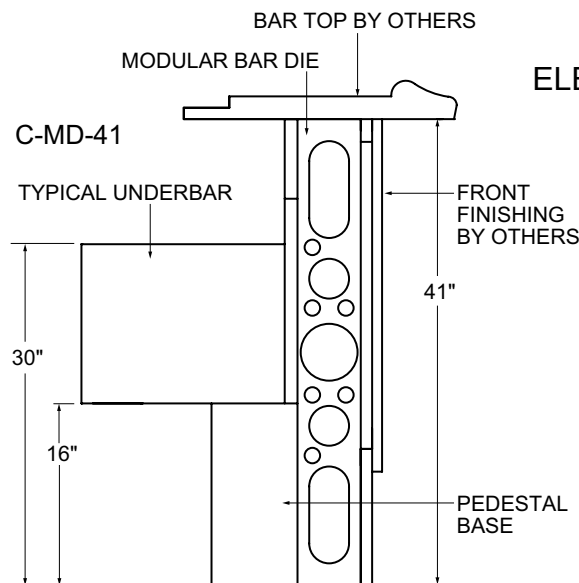
The total Number of feet required is calculated by determining the overall outside dimension of the bar die wall. Please round up to the nearest whole foot.

BENEFITS

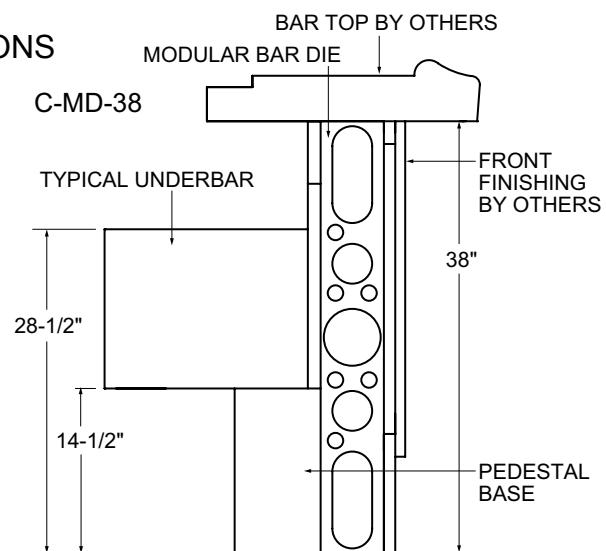
- Stainless steel from floor to bar top on bartender side
- Floor can be sealed to the bar die to prevent moisture from seeping from the bartender side to the customer side of the bar
- Galvanized steel structure will not rot
- Built-in chaseways hide beer, soda, plumbing, and electrical lines for a cleaner, more attractive bar
- Arrives pre-assembled from factory in sections up to 10 feet for easy installation - lowers installation costs. Just bolt the sections together, level, and attach the floor.
- Pre-engineered to exact dimensions to ensure a precise fit
- Can be used in conjunction with removable front millwork finishing panels to provide easy access to soda, beer, plumbing, and electrical lines for future modification, maintenance, or repair
- Millwork bar top and front panels can be pre-fabricated and easily attached
- Eliminates all underbar legs for easy cleaning



Bar Fabrication - Choice



SIDE ELEVATIONS



41" HIGH MODULAR BAR DIE

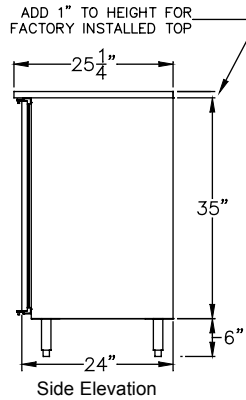
MODEL	DESCRIPTION	LIST	WEIGHT
C-MD-41	Price per foot	\$303	15#

38" HIGH MODULAR BAR DIE

MODEL	DESCRIPTION	LIST	WEIGHT
C-MD-38	Price per foot	\$303	15#



C1FB60 with compressor right, stainless doors/drawers, and stainless top



PRODUCT INFORMATION

(see C1FB Spec Sheet for complete details)

STANDARD FEATURES:

- Self-contained
- All stainless steel interior construction
- Draft beverage compatible - see page 87
- Listed to NSF Standard 7 for open food storage

COOLERS - ONE ZONE, FRONT SERVICED, BAR PROFILE

MODEL	LIST	LENGTH	DOOR		WEIGHT	AMPS	HP	LONG NECK CASES	750ML WINE BOTTLES**	1/2 BARREL KEGS	1/6 BARREL KEGS
			DOORS	OPENING							
C1FB32	\$4,214	32"	1	16" W	245#	3.0	1/8	5.8	57	N/A	2 †
C1FB36	\$4,254	36"	1	20" W	255#	3.0	1/8	7.8	70	1	4
C1FB52	\$5,571	52"	2	16" W	350#	7.0	1/4	13.3	116	N/A	7
C1FB60	\$5,719	60"	2	20" W	360#	7.0	1/4	17.3	164	2	8
C1FB72	\$6,618	72"	3	16" W	460#	7.0	1/4	21.1	188	N/A	11
C1FB84	\$6,884	84"	3	20" W	475#	7.0	1/4	27.1	248	4	14 †
C1FB92	\$7,974	92"	4	16" W	570#	7.0	1/4	28.8	260	N/A	15
C1FB108	\$8,227	108"	4	20" W	590#	7.0	1/4	36.8	332	5	18

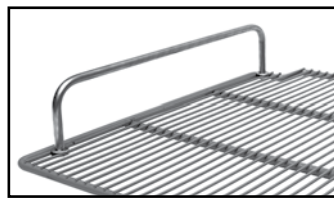
Base price only. See next page for configurable options.

**Wine bottle capacity is based on shelves. Drawers will hold less. NOTE: Coolers with drawers are not returnable.

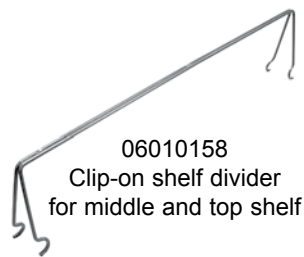
† If CO₂ tank is stored internally, reduce capacity by one keg

Bar Refrigeration

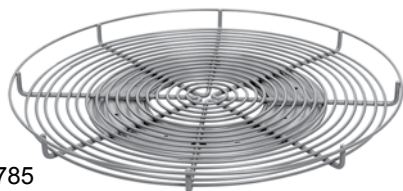
The CO-RR shelf retention rail should be used on all shelves adjacent to drawers and/or kegs. (CO-RR shown installed on shelf)



CWS-20
Wine rack shelf for 20" door opening



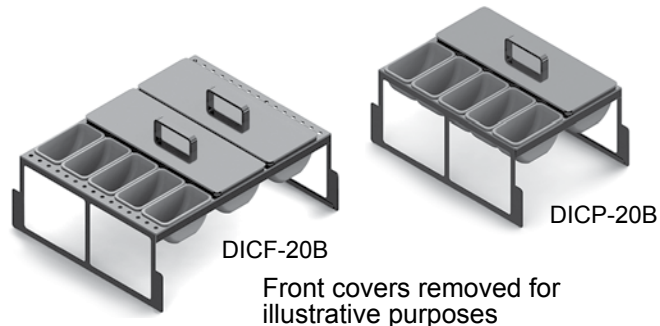
06010158
Clip-on shelf divider for middle and top shelf



06009785

In a typical cooler, only the front row of bottles is easy to access. Glastender's rotary wine shelf increases access by 270% (16 vs. 6 bottles).

The rotary wine shelf is for use with C1FB36, C1FB60, C1FB84, and C1FB108 model coolers. Two rotary shelves can be used behind each 20" cooler door opening, where they sit on two standard cooler shelves. Each rotary shelf holds up to 29 wine bottles (750ml).



DICF-20B

DICP-20B

Front covers removed for illustrative purposes

ACCESSORIES

MODEL	DESCRIPTION	LIST
06009785	Rotary wine shelf (20" door opening ONLY)	\$158
CO-RR	Shelf retention rail	\$42
CWS-16	Wine rack shelf for 16" door opening, 5 bottle	\$108
CWS-20	Wine rack shelf for 20" door opening, 7 bottle	\$122
DICF-16B	Drawer insert, condiments, full, 16" door opening, bar-profile cooler, 12 cups	\$370
DICP-16B	Drawer insert, condiments, partial, 16" door opening, bar-profile cooler, 8 cups	\$278
DICF-20B	Drawer insert, condiments, full, 20" door opening, bar-profile cooler 15 cups	\$435
DICP-20B	Drawer insert, condiments, partial, 20" door opening, bar-profile cooler, 10 cups	\$323
DIP-20	Drawer insert for food pans	
06010158	Clip-on shelf divider for middle and top shelf	\$25
06006013	Clip-on shelf divider for bottom shelf only	\$25



Draft Beverage Compatible

Select Configurable Options:

VOLTAGE

120V/60HZ	No charge
220V/50HZ (export voltage)	\$183

TEMPERATURE

Beer / Food, 34° to 40°, standard	No charge
White wine, 50° to 55°	No charge
Red wine, 60° to 65°	No charge

REFRIGERATION COMPARTMENT LOCATION

Left	No charge
Right	No charge

REFRIGERATION COMPARTMENT COVER FINISH

Black vinyl-clad	No charge
Unlaminated	No charge
Stainless steel	\$25
Jeweled stainless steel	\$138
Laminated	\$160

DOOR/DRAWER OPTIONS

NOTE: Select options for EACH Door/Drawer Section

STYLE AND FINISH - SPECIFY & ADD FOR EACH SECTION

Door - Black vinyl-clad	No charge
Door - Unlaminated	No charge
Door - Stainless steel	\$30
Door - Jeweled stainless	\$150
Door - Laminated	\$172
Door - Glass, black vinyl-clad	\$332
Door - Glass, stainless steel	\$362
Door - Glass, jeweled stainless	\$483
Door - Glass, laminated	\$505
Drawers* - Black vinyl-clad	\$1,373
Drawers* - Stainless steel	\$1,403
Drawers* - Jeweled stainless	\$1,524
Drawers* - Laminated	\$1,546

*NOTE: Units with drawers are manufactured to order and are not returnable.

DOOR HINGE LOCATION - SPECIFY & ADD FOR EACH DOOR

Left	No charge
Right	No charge

SHELVING - SPECIFY & ADD FOR EACH DOOR

Three adjustable shelves	No charge
Keg rack (deduct shelves)	(\$69)

DOOR HANDLE - SPECIFY & ADD FOR EACH DOOR

NOTE: Drawers come with a stainless pull tab handle

Polished stainless w/lock	No charge
Stainless pull tab w/lock	No charge
Polished brass w/lock	\$150

TOP STYLE

	32"	36"	52"	60"	72"	84"	92"	108"
No finished top	No charge							
Stainless top	\$292	\$308	\$373	\$405	\$454	\$502	\$534	\$599
Laminated top	\$578	\$590	\$639	\$664	\$701	\$738	\$763	\$812

LEFT SIDE FINISH

Black vinyl-clad	No charge
Stainless Steel	\$30
Laminated	\$172

RIGHT SIDE FINISH

Black vinyl-clad	No charge
Stainless Steel	\$30
Laminated	\$172

BACK FINISH

	32"	36"	52"	60"	72"	84"	92"	108"
Galvanized steel	No charge							
Stainless steel*	\$232	\$240	\$273	\$289	\$313	\$337	\$354	\$386

*NOTE: Stainless steel back option also includes stainless steel sides.

LED LIGHTING STYLE

Bright white (7,000k), standard	No charge
Warm white (3,500k)	No charge
Amber (2,700k)	No charge
Blue	No charge

LEG AND STAINLESS STEEL KICK RAILS

NOTE: Legs are required if kick rails are ordered.

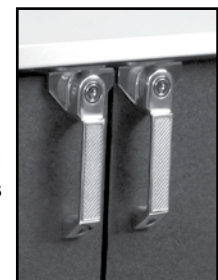
	32"	36"	52"	60"	72"	84"	92"	108"
6" legs	\$160	\$160	\$128	\$128	\$192	\$192	\$192	\$192
Front kick rail	\$81	\$84	\$96	\$103	\$112	\$121	\$127	\$139
Left side kick rail	\$75	\$75	\$75	\$75	\$75	\$75	\$75	\$75
Right side kick rail	\$75	\$75	\$75	\$75	\$75	\$75	\$75	\$75

CASTERS

	32"	36"	52"	60"	72"	84"	92"	108"
4" casters	\$138	\$138	\$114	\$114	\$171	\$171	\$171	\$171
2-1/2" casters	\$78	\$78	\$96	\$96	\$128	\$128	\$160	\$160



Stainless pull tab handle



Polished stainless handle



*NOTE: All coolers with drawers are manufactured to order and are not returnable.

Optional Drawers*

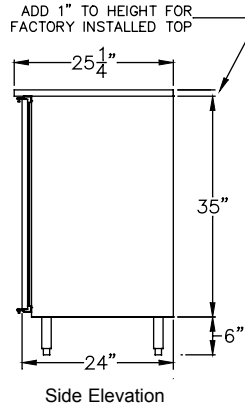
Glastender's refrigerated drawers include adjustable divider walls.

20" wide drawer opening shown

Bar Refrigeration



C2FB60 with compressor right, stainless doors/drawers, and stainless top



Draft Beverage Compatible



PRODUCT INFORMATION

(see C2FB Spec Sheet for complete details)

STANDARD FEATURES:

- Self-contained
- Available in three different configurations: beer/white wine, beer/red wine, or white/red wine
- The warmer compartment is always a single door located opposite the compressor end
- All stainless steel interior construction
- Draft beverage compatible - see page 87
- Listed to NSF Standard 7 for closed container products

*NOTE: C2FB coolers are manufactured to order and are not returnable.

COOLERS - TWO ZONE, FRONT SERVICED, BAR PROFILE

MODEL	LIST	LENGTH	DOORS	DOOR				LONG NECK	750ML WINE	1/2 BARREL	1/6 BARREL
				OPENING	WEIGHT	AMPS	HP				
C2FB52*	\$6,516	52"	2	16" W	365#	7.0	1/4	11.8	117	N/A	4
C2FB60*	\$6,663	60"	2	20" W	375#	7.0	1/4	15.8	141	2	8 †
C2FB72*	\$7,566	72"	3	16" W	475#	7.0	1/4	19.3	176	N/A	9
C2FB84*	\$7,765	84"	3	20" W	490#	7.0	1/4	25.3	234	3	12
C2FB92*	\$8,919	92"	4	16" W	585#	7.0	1/4	27.1	246	N/A	13
C2FB108*	\$9,173	108"	4	20" W	605#	7.0	1/4	35.1	318	5	18 †

Base price only. See next page for configurable options.

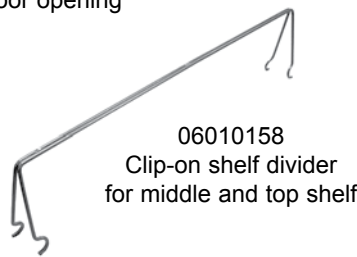
**Wine bottle capacity is based on shelves. Drawers will hold fewer.

† If CO₂ tank is stored internally, reduce capacity by one keg

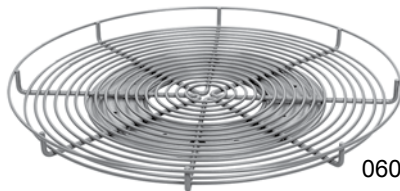
Bar Refrigeration



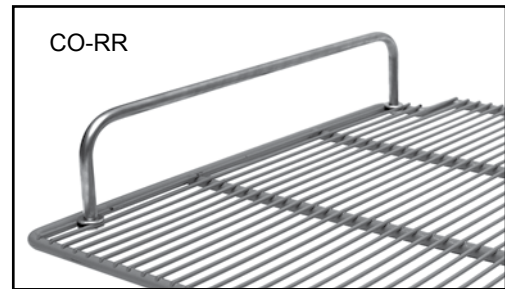
CWS-20
Wine rack shelf for
20" door opening



06010158
Clip-on shelf divider
for middle and top shelf



06009785



CO-RR

The CO-RR shelf retention rail should be used on all shelves adjacent to drawers and/or kegs. (CO-RR shown installed on shelf)

In a typical cooler, only the front row of bottles is easy to access. Glastender's rotary wine shelf increases access by 270% (16 vs. 6 bottles).

The rotary wine shelf is for use with C1FB36, C1FB60, C1FB84, and C1FB108 model coolers. Two rotary shelves can be used behind each 20" cooler door opening, where they sit on two standard cooler shelves. Each rotary shelf holds up to 29 wine bottles (750ml).

ACCESSORIES

MODEL	DESCRIPTION	LIST
06009785	Rotary wine shelf (20" door opening ONLY)	\$158
CO-RR	Shelf retention rail	\$42
CWS-16	Wine rack shelf for 16" door opening, 5 bottle	\$108
CWS-20	Wine rack shelf for 20" door opening, 7 bottle	\$122
06010158	Clip-on shelf divider for middle and top shelf	\$25
06006013	Clip-on shelf divider for bottom shelf only	\$25



Draft Beverage Compatible

*NOTE: C2FB coolers are manufactured to order and are not returnable.

Select Configurable Options:

VOLTAGE

120V/60HZ	No charge
220V/50HZ (export voltage)	\$183

TEMPERATURE

Beer/White wine - 34° to 40°/ 50° to 55°	No charge
Beer/Red wine - 34° to 40°/ 60° to 65°	No charge
White/Red wine - 50° to 55°/ 60° to 65°	No charge

REFRIGERATION COMPARTMENT LOCATION

Left	No charge
Right	No charge

REFRIGERATION COMPARTMENT COVER FINISH

Black vinyl-clad	No charge
Unlaminated	No charge
Stainless steel	\$25
Jeweled stainless steel	\$138
Laminated	\$160

DOOR/DRAWER OPTIONS

NOTE: Select options for EACH Door/Drawer Section

STYLE AND FINISH - SPECIFY & ADD FOR EACH SECTION

Door - Black vinyl-clad	No charge
Door - Unlaminated	No charge
Door - Stainless steel	\$30
Door - Jeweled stainless	\$150
Door - Laminated	\$172
Door - Glass, black vinyl-clad	\$332
Door - Glass, stainless steel	\$362
Door - Glass, jeweled stainless	\$483
Door - Glass, laminated	\$505
Drawers - Black vinyl-clad	\$1,373
Drawers - Stainless steel	\$1,403
Drawers - Jeweled stainless	\$1,524
Drawers - Laminated	\$1,546

DOOR HINGE LOCATION - SPECIFY & ADD FOR EACH DOOR

Left	No charge
Right	No charge

SHELVING - SPECIFY & ADD FOR EACH DOOR

Three adjustable shelves	No charge
Keg rack (deduct shelves)	(\$69)

DOOR HANDLE - SPECIFY & ADD FOR EACH DOOR

NOTE: Drawers come with a stainless pull tab handle

Polished stainless w/lock	No charge
Stainless pull tab w/lock	No charge
Polished brass w/lock	\$150

Stainless pull tab handle



TOP STYLE

	52"	60"	72"	84"	92"	108"
No finished top	No charge					
Stainless top	\$373	\$405	\$454	\$502	\$534	\$599
Laminated top	\$639	\$664	\$701	\$738	\$763	\$812

LEFT SIDE FINISH

Black vinyl-clad	No charge
Stainless Steel	\$30
Laminated	\$172

RIGHT SIDE FINISH

Black vinyl-clad	No charge
Stainless Steel	\$30
Laminated	\$172

BACK FINISH

	52"	60"	72"	84"	92"	108"
Galvanized steel	No charge					
Stainless steel*	\$273	\$289	\$313	\$337	\$354	\$386

*NOTE: Stainless steel back option also includes stainless steel sides.

LED LIGHTING STYLE

Bright white (7,000k), standard	No charge
Warm white (3,500k)	No charge
Amber (2,700k)	No charge
Blue	No charge

LEG AND STAINLESS STEEL KICK RAILS

NOTE: Legs are required if kick rails are ordered.

	52"	60"	72"	84"	92"	108"
6" legs	\$128	\$128	\$192	\$192	\$192	\$192
Front kick rail	\$96	\$103	\$112	\$121	\$127	\$139
Left side kick rail	\$75	\$75	\$75	\$75	\$75	\$75
Right side kick rail	\$75	\$75	\$75	\$75	\$75	\$75

CASTERS

	52"	60"	72"	84"	92"	108"
4" casters	\$114	\$114	\$171	\$171	\$171	\$171
2-1/2" casters	\$96	\$96	\$128	\$128	\$160	\$160

Polished stainless handle



20" wide drawer opening shown



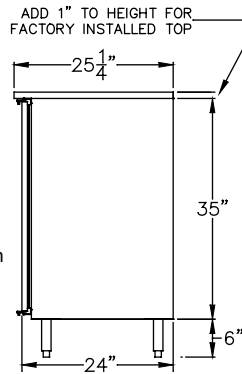
Optional Drawers
Glastender's refrigerated drawers include adjustable divider walls.

Bar Refrigeration



C1RB60 with refrigeration hook up right, black vinyl-clad glass doors, and stainless top

Side Elevation



PRODUCT INFORMATION

(see C1RB Spec Sheet for complete details)

STANDARD FEATURES:

- Remote unit
- All stainless steel interior construction
- Draft beverage compatible - see page 87
- Listed to NSF Standard 7 for open food storage

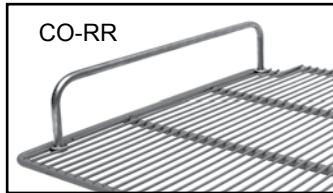
COOLERS - ONE ZONE, REMOTE, BAR PROFILE

MODEL	LIST	LENGTH	DOOR		WEIGHT	BTU /Hr	LONG NECK CASES	750ML WINE BOTTLES	1/2 BARREL KEGS	1/6 BARREL KEGS
			DOORS	OPENING						
C1RB24	\$2,988	24" W	1	20"	175#	800	7.0	60	1	2
C1RB40*	\$3,963	40" W	2	16"	275#	1,000	12.3	116	N/A	6
C1RB48	\$4,152	48" W	2	20"	285#	1,200	16.2	148	2	7
C1RB60*	\$5,261	60" W	3	16"	390#	1,300	19.9	188	N/A	10
C1RB72	\$5,462	72" W	3	20"	405#	1,500	25.9	234	4	11
C1RB80*	\$6,689	80" W	4	16"	500#	1,600	27.7	260	N/A	14
C1RB96	\$6,902	96" W	4	20"	520#	1,900	35.7	318	5	17

Base price only. See next page for configurable options.

*C1RB40, C1RB60, AND C1RB80 are manufactured to order and are not returnable.

Bar Refrigeration



CO-RR

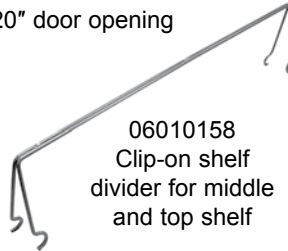
The CO-RR shelf retention rail should be used on all shelves adjacent to kegs. (CO-RR shown installed on shelf)



CWS-20 Wine rack shelf for 20" door opening



CWS-16 Wine rack shelf for 16" door opening



06010158 Clip-on shelf divider for middle and top shelf

CONDENSING UNITS AND INSTALLATION KITS**

MODEL	DESCRIPTION	LIST	WT
06006621**	1/3 HP R134a condensing unit kit, includes filter dryer, sight glass, and defrost timer. 2800 BTU/hr rated cooling capacity at 15°F evaporator temperature and 85°F ambient temperature. (13-1/2"W x 17"D x 9"H)	\$1,138	60#
06006622**	1/2 HP R134a condensing unit kit, includes filter dryer, sight glass, and defrost timer. 4100 BTU/hr rated cooling capacity at 15°F evaporator temperature and 85°F ambient temperature. (13-1/2"W x 18-1/4"D x 9-1/2"H)	\$1,689	60#
06009006**	1/3 HP R404A condensing unit kit, includes filter dryer, sight glass, and defrost timer. 2750 BTU/hr rated cooling capacity at 15°F evaporator temperature and 85°F ambient temperature. (13-1/2"W x 17"D x 9"H)	\$1,808	60#
06009007**	1/2 HP R404A condensing unit kit, includes filter dryer, sight glass, and defrost timer. 4500 BTU/hr rated cooling capacity at 15°F evaporator temperature and 85°F ambient temperature. (13-1/2"W x 18-1/4"D x 9-1/2"H)	\$2,130	60#

****NOTE: Consult the applicable remote refrigerator specification sheet and your refrigeration installer to select the correct condensing unit for your installation. Standard piping practices and local codes should be employed to size and install refrigerant gas and liquid lines.**

ACCESSORY FOR CONDENSING UNIT			
06001413	Switch, low pressure control, for remote condensing unit	\$336	3#
ACCESSORY FOR REMOTE COOLER CABINET			
SVC	Solenoid valve and coil kit, for remote unit	\$188	6#
SVC-L	Solenoid valve and coil kit with factory installation, for remote unit	\$530	6#

ACCESSORIES

MODEL	DESCRIPTION	LIST
CO-RR	Shelf retention rail	\$42
CWS-16	Wine rack shelf for 16" door opening, 5 bottle	\$108
CWS-20	Wine rack shelf for 20" door opening, 7 bottle	\$122
06010158	Clip-on shelf divider for middle and top shelf	\$25
06006013	Clip-on shelf divider for bottom shelf only	\$25



*NOTE: C1RB40, C1RB60, and C1RB80 coolers are manufactured to order and are not returnable.

Select Configurable Options:

VOLTAGE	
120V/60HZ	No charge
220V/50HZ (export voltage)	\$92

TEMPERATURE	
Beer / Food, 34° to 40°, standard	No charge
White wine, 50° to 55°	No charge
Red wine, 60° to 65°	No charge

EXPANSION VALVE TYPE	
R134a	No charge
R404a	No charge
R407a/R422D	No charge
R448a	No charge

REFRIGERATION HOOK-UP LOCATION	
Left	No charge
Right	No charge

DOOR OPTIONS

NOTE: Select options for EACH Door Section

STYLE AND FINISH - SPECIFY & ADD FOR EACH DOOR	
Door - Black vinyl-clad	No charge
Door - Unlaminated	No charge
Door - Stainless steel	\$30
Door - Jeweled stainless	\$150
Door - Laminated	\$172
Door - Glass, black vinyl-clad	\$332
Door - Glass, stainless steel	\$362
Door - Glass, jeweled stainless	\$483
Door - Glass, laminated	\$505

DOOR HINGE LOCATION - SPECIFY & ADD FOR EACH DOOR	
Left	No charge
Right	No charge

SHELVING - SPECIFY & ADD FOR EACH DOOR	
Three adjustable shelves	No charge
Keg rack (deduct shelving)	(\$69)

DOOR HANDLE - SPECIFY & ADD FOR EACH DOOR	
Polished stainless w/lock	No charge
Stainless pull tab w/lock	No charge
Polished brass w/lock	\$150

TOP STYLE	24"	40"	48"	60"	72"	80"	96"
No finished top	No charge						
Stainless top	\$260	\$324	\$357	\$405	\$454	\$486	\$551
Laminated top	\$553	\$602	\$627	\$664	\$701	\$726	\$775

LEFT SIDE FINISH	
Black vinyl-clad	No charge
Stainless Steel	\$30
Laminated	\$172

RIGHT SIDE FINISH	
Black vinyl-clad	No charge
Stainless Steel	\$30
Laminated	\$172

BACK FINISH	24"	40"	48"	60"	72"	80"	96"
Galvanized steel	No charge						
Stainless steel*	\$216	\$248	\$265	\$289	\$313	\$329	\$362

*NOTE: Stainless steel back option also includes stainless steel sides.

LED LIGHTING STYLE	
Bright white (7,000k), standard	No charge
Warm white (3,500k)	No charge
Amber (2,700k)	No charge
Blue	No charge

LEG AND STAINLESS STEEL KICK RAILS							
NOTE: Legs are required if kick rails are ordered.							
	24"	40"	48"	60"	72"	80"	96"
6" legs	\$128	\$128	\$128	\$192	\$192	\$192	\$192
Front kick rail	\$75	\$87	\$93	\$103	\$112	\$118	\$130
Left side kick rail	\$75	\$75	\$75	\$75	\$75	\$75	\$75
Right side kick rail	\$75	\$75	\$75	\$75	\$75	\$75	\$75

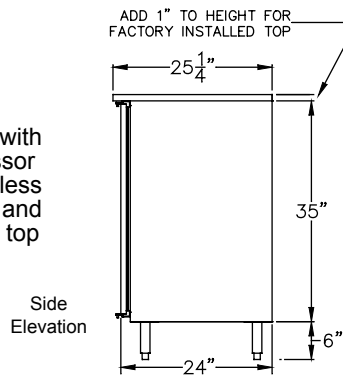


Stainless pull tab handle
Polished stainless handle

Bar Refrigeration



C1SB24 with compressor left, stainless drawers, and stainless top



PRODUCT INFORMATION

(see C1SB Spec Sheet for complete details)

STANDARD FEATURES:

- Self-contained
- All stainless steel interior construction
- Draft beverage compatible - see page 87
- Listed to NSF Standard 7 for open food storage

COOLERS - ONE ZONE, SIDE SERVICED, BAR PROFILE

MODEL	LIST	LENGTH	DOOR					AMPS	HP	LONG NECK	750ML WINE	1/2 BARREL	1/6 BARREL
			DOORS	OPENING	WEIGHT	CASES	BOTTLES**			KEGS	KEGS		
C1SB24	\$3,772	24"	1	17.5" W	213#	2.75	1/8	5.8	60	1	3	0	
C1SB28*	\$3,961	28"	1	20" W	236#	2.75	1/8	6.6	72	1	4	1	
C1SB36*	\$5,271	36"	2	12" W	302#	2.75	1/8	8.9	106	N/A	5	2	
C1SB44*	\$5,500	44"	2	16" W	332#	2.75	1/8	12.0	132	N/A	7	3	
C1SB48	\$5,616	48"	2	18" W	345#	2.75	1/8	13.2	154	2	8	4	

Base price only. See next page for configurable options.

*NOTE: C1SB28, C1SB36, and C1SB44 coolers are manufactured to order and are not returnable.

** Wine bottle capacity is based on shelves. Drawers will hold fewer. NOTE: Coolers with drawers are not returnable.

† If CO₂ tank is stored internally, reduce capacity by one keg

0 Requires one 05001026 low profile Sanke keg tap - see page 87

▲ Requires two 05001026 low profile Sanke keg taps - see page 87

Bar Refrigeration



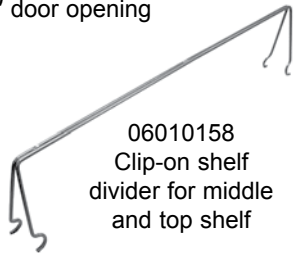
The CO-RR shelf retention rail should be used on all shelves adjacent to kegs. (CO-RR shown installed on shelf)



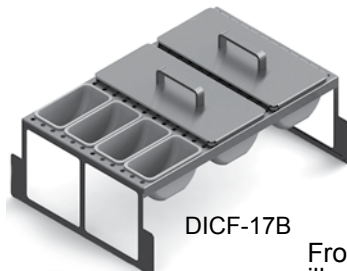
CWS-20 Wine rack shelf for 20" door opening



CWS-16 Wine rack shelf for 16" door opening



06010158 Clip-on shelf divider for middle and top shelf



DICF-17B



DICP-17B

Front covers removed for illustrative purposes

ACCESSORIES

MODEL	DESCRIPTION	LIST
CO-RR	Shelf retention rail	\$42
CWS-12	Wine rack shelf for 12" door opening, 3 bottle	\$92
CWS-16	Wine rack shelf for 16" door opening, 5 bottle	\$108
CWS-17	Wine rack shelf for 17.5" door opening, 5 bottle	\$115
CWS-18	Wine rack shelf for 18" door opening, 5 bottle	\$117
CWS-20	Wine rack shelf for 20" door opening, 7 bottle	\$122
DICF-12B	Drawer insert, condiments, full, 12" door opening, bar-profile cooler, 8 cups	\$288
DICP-12B	Drawer insert, condiments, partial, 12" door opening, bar-profile cooler, 6 cups	\$231
DICF-16B	Drawer insert, condiments, full, 16" door opening, bar-profile cooler, 12 cups	\$370
DICP-16B	Drawer insert, condiments, partial, 16" door opening, bar-profile cooler, 8 cups	\$278
DICF-17B	Drawer insert, condiments, full, 17.5" door opening, bar-profile cooler, 12 cups	\$372
DICP-17B	Drawer insert, condiments, partial, 17.5" door opening, bar-profile cooler, 8 cups	\$280
DICF-18B	Drawer insert, condiments, full, 18" door opening, bar-profile cooler, 12 cups	\$374
DICP-18B	Drawer insert, condiments, partial, 18" door opening, bar-profile cooler, 8 cups	\$282
DICF-20B	Drawer insert, condiments, full, 20" door opening, bar-profile cooler, 15 cups	\$435
DICP-20B	Drawer insert, condiments, partial, 20" door opening, bar-profile cooler, 10 cups	\$323
DIP-17	Drawer insert for food pans	
DIP-18	Drawer insert for food pans	
DIP-20	Drawer insert for food pans	
06010158	Clip-on shelf divider for middle and top shelf	\$25
06006013	Clip-on shelf divider for bottom shelf only	\$25



Draft Beverage Compatible

Select Configurable Options:

VOLTAGE	
120V/60HZ	No charge
220V/50HZ (export voltage)	\$183

TEMPERATURE	
Beer / Food, 34° to 40°, standard	No charge
White wine, 50° to 55°	No charge
Red wine, 60° to 65°	No charge

REFRIGERATION COMPARTMENT LOCATION	
Left	No charge
Right	No charge

REFRIGERATION COMPARTMENT COVER FINISH	
Black vinyl-clad	No charge
Stainless steel	\$25
Jeweled stainless steel	\$138

DOOR/DRAWER OPTIONS
NOTE: Select options for EACH Door/Drawer Section

STYLE AND FINISH - SPECIFY & ADD FOR EACH SECTION	
Door - Black vinyl-clad	No charge
Door - Unlaminated	No charge
Door - Stainless steel	\$30
Door - Jeweled stainless	\$150
Door - Laminated	\$172
Door - Glass, black vinyl-clad	\$332
Door - Glass, stainless steel	\$362
Door - Glass, jeweled stainless	\$483
Door - Glass, laminated	\$505
Drawers* - Black vinyl-clad	\$1,373
Drawers* - Stainless steel	\$1,403
Drawers* - Jeweled stainless	\$1,524
Drawers* - Laminated	\$1,546

*NOTE: Units with drawers are manufactured to order and are not returnable.

DOOR HINGE LOCATION - SPECIFY & ADD FOR EACH DOOR	
Left	No charge
Right	No charge

SHELVING - SPECIFY & ADD FOR EACH DOOR	
Three adjustable shelves	No charge
Keg rack (deduct shelves)	(\$69)

DOOR HANDLE - SPECIFY & ADD FOR EACH DOOR	
NOTE: Drawers come with a stainless pull tab handle	
Polished stainless w/lock	No charge
Stainless pull tab w/lock	No charge
Polished brass w/lock	\$150

*NOTE: C1SB28, C1SB36, and C1SB44 coolers are manufactured to order and are not returnable.

TOP STYLE	24"	28"	36"	44"	48"
No finished top	No charge				
Stainless top	\$260	\$276	\$308	\$341	\$357
Laminated top	\$553	\$565	\$590	\$615	\$627

LEFT SIDE FINISH	
Black vinyl-clad	No charge
Stainless Steel	\$30
Laminated	\$172

RIGHT SIDE FINISH	
Black vinyl-clad	No charge
Stainless Steel	\$30
Laminated	\$172

BACK FINISH	24"	28"	36"	44"	48"
Galvanized steel	No charge				
Stainless steel*	\$216	\$224	\$240	\$256	\$265

LED LIGHTING STYLE	
Bright white (7,000k), standard	No charge
Warm white (3,500k)	No charge
Amber (2,700k)	No charge
Blue	No charge

LEG AND STAINLESS STEEL KICK RAILS					
NOTE: Legs are required if kick rails are ordered.					
	24"	28"	36"	44"	48"
6" legs	\$128	\$128	\$128	\$128	\$128
Front kick rail	\$75	\$78	\$84	\$90	\$93
Left side kick rail	\$75	\$75	\$75	\$75	\$75
Right side kick rail	\$75	\$75	\$75	\$75	\$75

CASTERS					
	24"	28"	36"	44"	48"
4" casters	\$114	\$114	\$114	\$114	\$114
2-1/2" casters	\$64	\$64	\$64	\$64	\$64



Stainless pull tab handle



Polished stainless handle



*NOTE: All coolers with drawers are manufactured to order and are not returnable.

Optional Drawers*
Glastender's refrigerated drawers include adjustable divider walls.

20" wide drawer opening shown

Bar Refrigeration



C2SB48 with compressor left, stainless drawers, and stainless top



PRODUCT INFORMATION

(see C2SB Spec Sheet for complete details)

STANDARD FEATURES:

- Self-contained
- All stainless steel interior construction
- Available in three different configurations: beer/white wine, beer/red wine, or white/red wine
- The warmer compartment is always a single door located opposite the compressor end
- Draft beverage compatible - see page 87
- Listed to NSF Standard 7 for closed container products

*NOTE: C2SB coolers are manufactured to order and are not returnable.

COOLERS - TWO ZONE, SIDE SERVICED, BAR PROFILE

MODEL	LIST	LENGTH	DOOR		WEIGHT	AMPS	HP	LONG NECK CASES	750ML WINE BOTTLES**	1/2 BARREL KEGS	1/6 BARREL KEGS
			DOORS	OPENING							
C2SB36	\$6,114	36"	2	12" W	317#	2.75	1/8	6.5	72	N/A	4† ♠
C2SB44	\$6,351	44"	2	16" W	347#	2.75	1/8	9.7	120	N/A	4 ♠
C2SB48	\$6,470	48"	2	18" W	360#	2.75	1/8	12.5	120	2	6 ♠

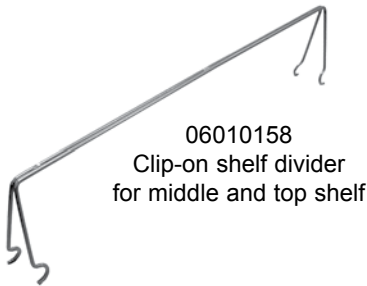
Base price only. See next page for configurable options.

**Wine bottle capacity is based on shelves. Drawers will hold fewer.

† If CO₂ tank is stored internally, reduce capacity by one keg

♠ Requires one 05001026 low profile Sanke keg tap - see page 87

Bar Refrigeration



06010158
Clip-on shelf divider
for middle and top shelf



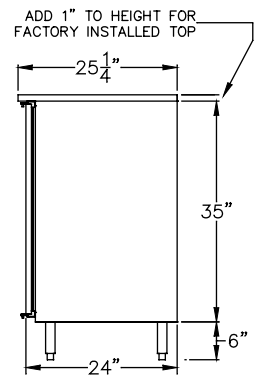
Optional Drawers

Glastender's refrigerated drawers include adjustable divider walls.

20" wide drawer opening shown



CWS-16
Wine rack shelf for
16" door opening



Side Elevation

ACCESSORIES

MODEL	DESCRIPTION	LIST
CWS-12	Wine rack shelf for 12" door opening, 3 bottle	\$92
CWS-16	Wine rack shelf for 16" door opening, 5 bottle	\$108
CWS-18	Wine rack shelf for 18" door opening, 5 bottle	\$117
06010158	Clip-on shelf divider for middle and top shelf	\$25
06006013	Clip-on shelf divider for bottom shelf only	\$25



Draft Beverage Compatible

*NOTE: C2SB coolers are manufactured to order and are not returnable.

Select Configurable Options:

VOLTAGE

120V/60HZ	No charge
220V/50HZ (export voltage)	\$183

TEMPERATURE

Beer/White wine - 34° to 40°/ 50° to 55°	No charge
Beer/Red wine - 34° to 40°/ 60° to 65°	No charge
White/Red wine - 50° to 55°/ 60° to 65°	No charge

REFRIGERATION COMPARTMENT LOCATION

Left	No charge
Right	No charge

REFRIGERATION COMPARTMENT COVER FINISH

Black vinyl-clad	No charge
Stainless steel	\$25
Jeweled stainless steel	\$138

DOOR/DRAWER OPTIONS

NOTE: Select options for EACH Door/Drawer Section

STYLE AND FINISH - SPECIFY & ADD FOR EACH SECTION

Door - Black vinyl-clad	No charge
Door - Unlaminated	No charge
Door - Stainless steel	\$30
Door - Jeweled stainless	\$150
Door - Laminated	\$172
Door - Glass, black vinyl-clad	\$332
Door - Glass, stainless steel	\$362
Door - Glass, jeweled stainless	\$483
Door - Glass, laminated	\$505
Drawers - Black vinyl-clad	\$1,373
Drawers - Stainless steel	\$1,403
Drawers - Jeweled stainless	\$1,524
Drawers - Laminated	\$1,546

DOOR HINGE LOCATION - SPECIFY & ADD FOR EACH DOOR

Left	No charge
Right	No charge

SHELVING - SPECIFY & ADD FOR EACH DOOR

Three adjustable shelves	No charge
Keg rack (deduct shelves)	(\$69)

DOOR HANDLE - SPECIFY & ADD FOR EACH DOOR

NOTE: Drawers come with a stainless pull tab handle

Polished stainless w/lock	No charge
Stainless pull tab w/lock	No charge
Polished brass w/lock	\$150



Stainless pull tab handle

TOP STYLE

	36"	44"	48"
No finished top	No charge		
Stainless top	\$308	\$341	\$357
Laminated top	\$590	\$615	\$627

LEFT SIDE FINISH

Black vinyl-clad	No charge
Stainless Steel	\$30
Laminated	\$172

RIGHT SIDE FINISH

Black vinyl-clad	No charge
Stainless Steel	\$30
Laminated	\$172

BACK FINISH

	36"	44"	48"
Galvanized steel	No charge		
Stainless steel*	\$240	\$256	\$265

*NOTE: Stainless steel back option also includes stainless steel sides.

LED LIGHTING STYLE

Bright white (7,000k), standard	No charge
Warm white (3,500k)	No charge
Amber (2,700k)	No charge
Blue	No charge

LEG AND STAINLESS STEEL KICK RAILS

NOTE: Legs are required if kick rails are ordered.

	36"	44"	48"
6" legs	\$128	\$128	\$128
Front kick rail	\$84	\$90	\$93
Left side kick rail	\$75	\$75	\$75
Right side kick rail	\$75	\$75	\$75

CASTERS

	36"	44"	48"
4" casters	\$114	\$114	\$114
2-1/2" casters	\$64	\$64	\$64



Polished stainless handle

Bar Refrigeration



Draft Beverage Compatible



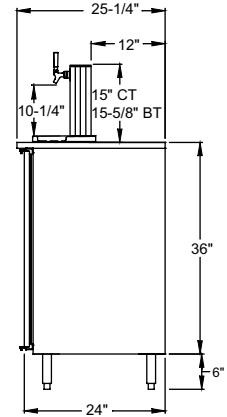
KC72

PRODUCT INFORMATION

(see KC72 Spec Sheet for complete details)

STANDARD FEATURES:

- Self-contained
- Galvanized interior construction with stainless steel floor
- Stainless steel keg racks and 1/2" thick high-impact polypropylene threshold scuff plates
- Wide center mullion provides additional storage capacity
- Blower hose off evaporator for cooling tower
- Listed to NSF Standard 7 for closed container products



Side Elevation

72" KEG COOLER

MODEL	LIST	LENGTH	DOORS	DOOR		WEIGHT	AMPS	HP	1/2 BARREL		1/6 BARREL	
				OPENING	W				KEGS	KEGS	KEGS	KEGS
KC72	\$5,798	72"	2	20" W		410#	5.7	1/4	3		11	

Base price only. See below for configurable options.

Select Configurable Options:

Bar Refrigeration

VOLTAGE	
120V/60HZ	No charge
220V/50HZ (export voltage)	\$183

TEMPERATURE	
Beer, 34° to 40°, standard	No charge
White wine, 50° to 55°	No charge
Red wine, 60° to 65°	No charge

REFRIGERATION COMPARTMENT LOCATION	
Left	No charge
Right	No charge

FRONT FINISH	
Black vinyl-clad	No charge
Stainless steel	\$110

DOOR OPTIONS
NOTE: Select options for EACH Door Section

DOOR HINGE LOCATION - SPECIFY & ADD FOR EACH DOOR	
Left	No charge
Right	No charge

DOOR HANDLE - SPECIFY & ADD FOR EACH DOOR	
Polished stainless w/lock	No charge
Stainless pull tab w/lock	No charge
Polished brass w/lock	\$150

TOP STYLE	
No finished top	No charge
Stainless top	\$454
Laminated top	\$701

LEFT SIDE FINISH	
Black vinyl-clad	No charge
Stainless Steel	\$30
Laminated	\$172

RIGHT SIDE FINISH	
Black vinyl-clad	No charge
Stainless Steel	\$30
Laminated	\$172

BACK FINISH	
Galvanized steel	No charge
Stainless steel*	\$313

*NOTE: Stainless steel back option also includes stainless steel sides.

LEG AND STAINLESS STEEL KICK RAILS

NOTE: Legs are required if kick rails are ordered.

6" legs	\$192
Front kick rail	\$112
Left side kick rail	\$75
Right side kick rail	\$75

CASTERS	
4" casters	\$171
2-1/2" casters	\$128



Polished stainless handle



Stainless pull tab handle

Configuring Bar Profile Coolers for Draft Beverage Dispensing

All Glastender bar profile coolers can be configured for draft beverage dispensing. Please note that a minimum 17" wide door opening is required for full size (i.e., 16" diameter) 1/2 barrel kegs. Refer to the capacity statements in the Product Directory or Specification Sheet for the sizes and quantities of kegs each unit will hold. Please also note that the ceiling hung evaporators in remote style coolers may prevent the mounting of beverage towers or at least limit where they can be located.

Direct Draw Draft Beverage Towers

Glastender Column and Tee Towers come standard with the stainless steel faucets and shanks necessary to dispense keg beer, wine, soda, coffee, or cocktails. Each tower includes a drain pan and each faucet includes 72" of 3/16" ID restriction line with a nut, stem, and washer. Mounting holes will be pre-drilled at the factory if the host cooler is ordered with a finished top and the tower location is specified.



Look for the Draft Beer Compatible logo



DIRECT DRAW DRAFT BEVERAGE TOWERS

STAINLESS STEEL		MIRROR FINISH		POLISHED BRASS		FAUCETS	WGT
MODEL	LIST	MODEL	LIST	MODEL	LIST		
CT-1-SS	\$682	CT-1-MF	\$820	CT-1-PB	\$1,271	1	13#
CT-2-SS	\$916	CT-2-MF	\$1,053	CT-2-PB	\$1,515	2	15#
CT-3-SS	\$1,149	CT-3-MF	\$1,286	CT-3-PB	\$1,760	3	18#
BT-4-SS	\$1,401	BT-4-MF	\$1,534	BT-4-PB	\$2,066	4	23#
BT-5-SS	\$1,667	BT-5-MF	\$1,826	BT-5-PB	\$2,394	5	27#
BT-6-SS	\$1,933	BT-6-MF	\$2,118	BT-6-PB	\$2,721	6	31#
BT-8-SS	\$2,571	BT-8-MF	\$2,808	BT-8-PB	\$3,596	8	39#
BT-10-SS	\$3,103	BT-10-MF	\$3,392	BT-10-PB	\$4,251	10	57#
BT-12-SS	\$3,635	BT-12-MF	\$3,976	BT-12-PB	\$4,905	12	65#

Tower Cooler Kits

Direct draw beverage towers are chilled by air from inside the host cooler. This is especially important for draft beer, as warm faucets cause the beer to foam. For 1 and 2-door coolers, an evaporator hose tower cooling kit is sufficient. For 3 and 4-door coolers, specify the blower motor tower cooling kit. For two towers on one cooler, specify the blower motor tower cooling kit with tee.

TOWER COOLING KITS

MODEL	DESCRIPTION	LIST	WGT
06007097	Evap. hose cooling kit, 1 & 2-door coolers	\$113	2#
06007067	Blower motor cooling kit, 3 & 4-door coolers	\$219	3#
06007049	Blower w/tee cooling kit, for 2 towers	\$289	5#

PRIMARY REGULATOR KITS

Primary regulators are used to step down the CO₂ or nitrogen pressure from the main source. A tank mount CO₂ primary regulator attaches directly to the CO₂ tank. A bulk or in-line CO₂ primary regulator is used to splice into a CO₂ line when the CO₂ tank is shared by more than one system. A tank mount nitrogen primary regulator is used with pre-blended nitrogen and CO₂ or pure nitrogen gas. Each primary regulator kit includes 50 feet of nylon braided hose.

MODEL	DESCRIPTION	LIST	WGT
PRK-TC	Tank mount CO ₂ primary regulator kit	\$189	15#
PRK-BC	Bulk CO ₂ primary regulator kit	\$221	15#
PRK-TN	Tank mount nitrogen primary regulator kit	\$255	15#

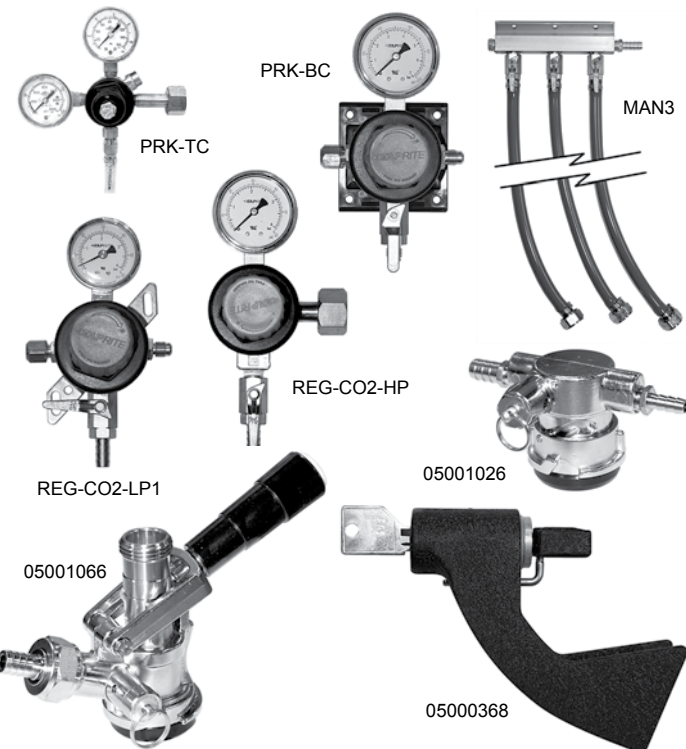
SECONDARY REGULATOR KITS

The REG-CO2-LP1 secondary regulator kit is normally mounted inside the direct draw cooler and connects to the gas line coming from the externally mounted primary regulator. For installations with more than one keg on tap, also order the appropriate manifold kit(s). When no external source of CO₂ is available, a 5 pound CO₂ cylinder may be stored inside the cooler, which will require the REG-CO2-HP regulator. A manifold kit will also be required if there is more than one keg on tap.

MODEL	DESCRIPTION	LIST	WGT
REG-CO2-LP1	Secondary regulator kit	\$200	7#
REG-CO2-HP	Primary regulator kit for use with 5# CO ₂ tank	\$168	7#
MAN2	Two product manifold kit	\$147	2#
MAN3	Three product manifold kit	\$182	3#
MAN4	Four product manifold kit	\$223	4#
MAN5	Five product manifold kit	\$272	5#
MAN6	Six product manifold kit	\$322	6#

ADDITIONAL ACCESSORIES

MODEL	DESCRIPTION	LIST	WGT
06001345	1/2" ID clear vinyl drain line, per foot	\$1.45	N/A
05000400	5/16" ID red vinyl air line, per foot	\$1.50	N/A
05000386	1/4" ID nylon braided air line, per foot	\$0.60	N/A
05001066	Sanke keg tap, stainless steel probe	\$73.00	2#
05001026	Sanke keg tap, low profile	\$274.00	2#
05000368	Lock for beer faucet	\$85.00	2#
05000636	5# CO ₂ tank (unfilled)	\$243	15#
LCK	Line cleaning kit	\$165	
06007084	Drain bottle	\$34	



Bar Refrigeration



CS1RB40 with refrigeration hook up left, vinyl-clad doors, and stainless steel top

PRODUCT INFORMATION

(see CS1RB Spec Sheet for complete details)

STANDARD FEATURES:

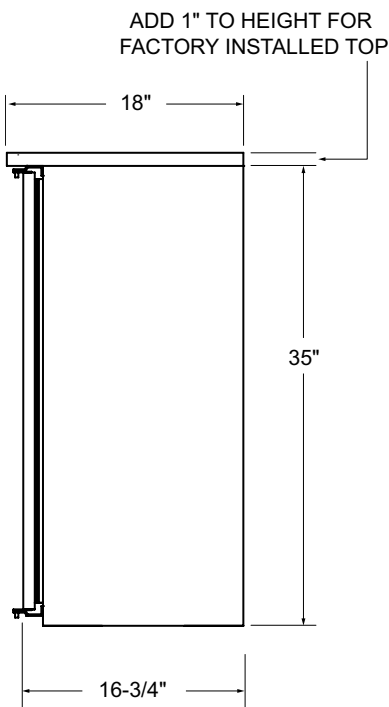
- DOE 2017 compliant
- Remote unit
- All stainless steel interior construction
- Two stainless steel adjustable shelves per door included
- Listed to NSF Standard 7 for open food storage

COOLERS - SHALLOW DEPTH, ONE ZONE, REMOTE, BAR PROFILE*

MODEL	LIST	LENGTH	DOORS	WEIGHT	BTU /HR	LONG NECK	750ML WINE
						CASES	BOTTLES
CS1RB40*	\$3,775	40"	2	260#	975	7.1	66
CS1RB60*	\$5,012	60"	3	370#	1,250	11.8	110
CS1RB80*	\$6,371	80"	4	475#	1,550	16.4	152

Base price only. See next page for configurable options.

*NOTE: CS1RB units are manufactured to order and are not returnable.



Side Elevation

CONDENSING UNITS AND INSTALLATION KITS**

MODEL	DESCRIPTION	LIST	WT
06006621**	1/3 HP R134a condensing unit kit, includes filter dryer, sight glass, and defrost timer. 2800 BTU/hr rated cooling capacity at 15°F evaporator temperature and 85°F ambient temperature. (13-1/2"W x 17"D x 9"H)	\$1,138	60#
06006622**	1/2 HP R134a condensing unit kit, includes filter dryer, sight glass, and defrost timer. 4100 BTU/hr rated cooling capacity at 15°F evaporator temperature and 85°F ambient temperature. (13-1/2"W x 18-1/4"D x 9-1/2"H)	\$1,689	60#
06009006**	1/3 HP R404A condensing unit kit, includes filter dryer, sight glass, and defrost timer. 2750 BTU/hr rated cooling capacity at 15°F evaporator temperature and 85°F ambient temperature. (13-1/2"W x 17"D x 9"H)	\$1,808	60#
06009007**	1/2 HP R404A condensing unit kit, includes filter dryer, sight glass, and defrost timer. 4500 BTU/hr rated cooling capacity at 15°F evaporator temperature and 85°F ambient temperature. (13-1/2"W x 18-1/4"D x 9-1/2"H)	\$2,130	60#

**NOTE: Consult the applicable remote refrigerator specification sheet and your refrigeration installer to select the correct condensing unit for your installation. Standard piping practices and local codes should be employed to size and install refrigerant gas and liquid lines.

ACCESSORY FOR CONDENSING UNIT			
06001413	Switch, low pressure control, for remote condensing unit	\$336	3#
ACCESSORY FOR REMOTE COOLER CABINET			
SVC	Solenoid valve and coil kit, for remote unit	\$188	6#
SVC-L	Solenoid valve and coil kit with factory installation, for remote unit	\$530	6#

Bar Refrigeration

*NOTE: CS1RB units are manufactured to order and are not returnable.

Select Configurable Options:

VOLTAGE

120V/60HZ	No charge
220V/50HZ (export voltage)	\$92

TEMPERATURE

Beer / Food, 34° to 40°, standard	No charge
White wine, 50° to 55°	No charge
Red wine, 60° to 65°	No charge

EXPANSION VALVE TYPE

R134a	No charge
R404a	No charge
R407a/R422D	No charge
R448a	No charge

REFRIGERATION HOOK-UP LOCATION

Left	No charge
Right	No charge

DOOR OPTIONS

NOTE: Select options for EACH Door Section

STYLE AND FINISH - SPECIFY & ADD FOR EACH DOOR

Door - Black vinyl-clad	No charge
Door - Unlaminated	No charge
Door - Stainless steel	\$30
Door - Jeweled stainless	\$150
Door - Laminated	\$172
Door - Glass, black vinyl-clad	\$332
Door - Glass, stainless steel	\$362
Door - Glass, jeweled stainless	\$483
Door - Glass, laminated	\$505

DOOR HINGE LOCATION - SPECIFY & ADD FOR EACH DOOR

Left	No charge
Right	No charge

DOOR HANDLE - SPECIFY & ADD FOR EACH DOOR

Polished stainless w/lock	No charge
Stainless pull tab w/lock	No charge
Polished brass w/lock	\$150



Stainless pull tab handle

TOP STYLE

	40"	60"	80"
No finished top	No charge		
Stainless top	\$324	\$405	\$486
Laminated top	\$602	\$664	\$726

LEFT SIDE FINISH

Black vinyl-clad	No charge
Stainless Steel	\$30
Laminated	\$172

RIGHT SIDE FINISH

Black vinyl-clad	No charge
Stainless Steel	\$30
Laminated	\$172

BACK FINISH

	40"	60"	80"
Galvanized steel	No charge		
Stainless steel*	\$248	\$289	\$329

*NOTE: Stainless steel back option also includes stainless steel sides.

LED LIGHTING STYLE

Bright white (7,000k), standard	No charge
Warm white (3,500k)	No charge
Amber (2,700k)	No charge
Blue	No charge

LEG AND STAINLESS STEEL KICK RAILS

NOTE: Legs are required if kick rails are ordered.

	40"	60"	80"
6" legs	\$128	\$192	\$192
Front kick rail	\$87	\$103	\$118
Left side kick rail	\$75	\$75	\$75
Right side kick rail	\$75	\$75	\$75



Polished stainless handle

Bar Refrigeration



C1FL60 with compressor left, stainless doors and top, and stainless pull tab handle

PRODUCT INFORMATION

(see C1FL Spec Sheet for complete details)

STANDARD FEATURES:

- Self-contained
- All stainless steel interior construction
- Two adjustable shelves per door
- Listed to NSF Standard 7 for open food storage

*NOTE: C1FL units are manufactured to order and are not returnable.

COOLERS - ONE ZONE, FRONT SERVICED, LOW PROFILE*

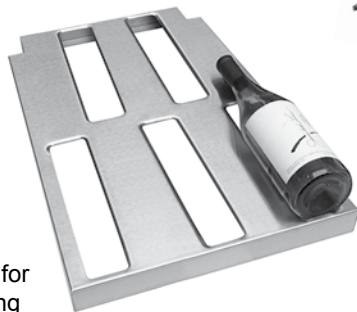
MODEL	LIST	LENGTH	DOORS	DOOR				LONG NECK	750ML WINE
				OPENING	WEIGHT	AMPS	HP		
C1FL32*	\$4,058	32"	1	16" W	240#	3.0	1/8	3.8	30
C1FL36*	\$4,098	36"	1	20" W	250#	3.0	1/8	5.2	36
C1FL52*	\$5,322	52"	2	16" W	340#	7.0	1/4	8.8	60
C1FL60*	\$5,430	60"	2	20" W	350#	7.0	1/4	11.5	84
C1FL72*	\$6,399	72"	3	16" W	445#	7.0	1/4	14.0	96
C1FL84*	\$6,530	84"	3	20" W	460#	7.0	1/4	18.0	126
C1FL92*	\$7,683	92"	4	16" W	550#	7.0	1/4	19.2	132
C1FL108*	\$7,840	108"	4	20" W	570#	7.0	1/4	24.5	168

Base price only. See next page for configurable options.

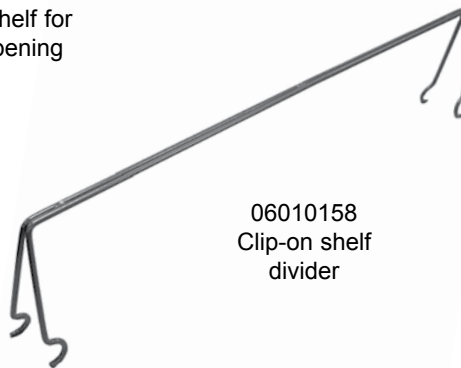
Bar Refrigeration



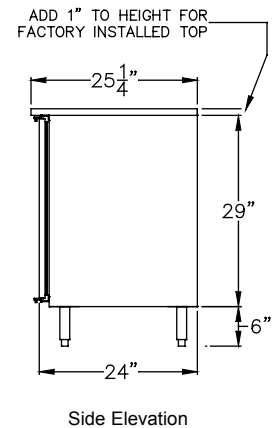
CWS-20
Wine rack shelf for
20" door opening



CWS-16
Wine rack shelf for
16" door opening



06010158
Clip-on shelf
divider



ACCESSORIES

MODEL	DESCRIPTION	LIST
CWS-16	Wine rack shelf for 16" door opening, 5 bottle	\$108
CWS-20	Wine rack shelf for 20" door opening, 7 bottle	\$122
06010158	Clip-on shelf divider	\$25

*NOTE: C1FL units are manufactured to order and are not returnable.

Select Configurable Options:

VOLTAGE

120V/60HZ	No charge
220V/50HZ (export voltage)	\$183

TEMPERATURE

Beer / Food, 34° to 40°, standard	No charge
White wine, 50° to 55°	No charge
Red wine, 60° to 65°	No charge

REFRIGERATION COMPARTMENT LOCATION

Left	No charge
Right	No charge

REFRIGERATION COMPARTMENT COVER FINISH

Black vinyl-clad	No charge
Unlaminated	No charge
Stainless steel	\$25
Jeweled stainless steel	\$138
Laminated	\$160

DOOR OPTIONS

NOTE: Select options for EACH Door Section

STYLE AND FINISH - SPECIFY & ADD FOR EACH SECTION

Door - Black vinyl-clad	No charge
Door - Unlaminated	No charge
Door - Stainless steel	\$30
Door - Jeweled stainless	\$150
Door - Laminated	\$172
Door - Glass, black vinyl-clad	\$332
Door - Glass, stainless steel	\$362
Door - Glass, jeweled stainless	\$483
Door - Glass, laminated	\$505

DOOR HINGE LOCATION - SPECIFY & ADD FOR EACH DOOR

Left	No charge
Right	No charge

DOOR HANDLE - SPECIFY & ADD FOR EACH DOOR

Polished stainless w/lock	No charge
Stainless pull tab w/lock	No charge
Polished brass w/lock	\$150



Polished stainless handle

TOP STYLE

	32"	36"	52"	60"	72"	84"	92"	108"
No finished top	No charge							
Stainless top	\$292	\$308	\$373	\$405	\$454	\$502	\$534	\$599
Laminated top	\$578	\$590	\$639	\$664	\$701	\$738	\$763	\$812
Drainboard top	\$486	\$515	\$627	\$684	\$768	\$853	\$909	\$1022

4" HIGH STAINLESS SPLASHES

	32"	36"	52"	60"	72"	84"	92"	108"
NOTE: Can only be ordered with stainless steel top								
Backsplash	\$104	\$109	\$128	\$137	\$152	\$166	\$175	\$194
Left side splash	\$95	\$95	\$95	\$95	\$95	\$95	\$95	\$95
Right side splash	\$95	\$95	\$95	\$95	\$95	\$95	\$95	\$95

LEFT SIDE FINISH

Black vinyl-clad	No charge							
Stainless Steel	\$30							
Laminated	\$172							

RIGHT SIDE FINISH

Black vinyl-clad	No charge							
Stainless Steel	\$30							
Laminated	\$172							

BACK FINISH

	32"	36"	52"	60"	72"	84"	92"	108"
Galvanized steel	No charge							
Stainless steel*	\$232	\$240	\$273	\$289	\$313	\$337	\$354	\$386

*NOTE: Stainless steel back option also includes stainless steel sides.

LED LIGHTING STYLE

Bright white (7,000k), standard	No charge							
Warm white (3,500k)	No charge							
Amber (2,700k)	No charge							
Blue	No charge							

LEG AND STAINLESS STEEL KICK RAILS

NOTE: Legs are required if kick rails are ordered.

	32"	36"	52"	60"	72"	84"	92"	108"
6" legs	\$160	\$160	\$128	\$128	\$192	\$192	\$192	\$192
Front kick rail	\$81	\$84	\$96	\$103	\$112	\$121	\$127	\$139
Left side kick rail	\$75	\$75	\$75	\$75	\$75	\$75	\$75	\$75
Right side kick rail	\$75	\$75	\$75	\$75	\$75	\$75	\$75	\$75

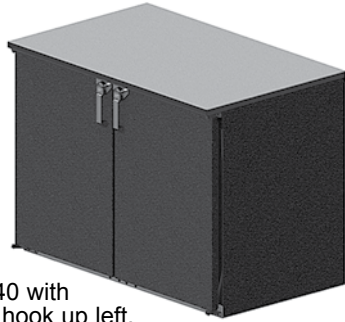
CASTERS

	32"	36"	52"	60"	72"	84"	92"	108"
4" casters	\$138	\$138	\$114	\$114	\$171	\$171	\$171	\$171
2-1/2" casters	\$78	\$78	\$96	\$96	\$128	\$128	\$160	\$160



Stainless pull tab handle

Bar Refrigeration



C1RL40 with refrigeration hook up left, black vinyl-clad doors, and laminated top



C1RL48 with refrigeration hook up left, black vinyl-clad doors, and laminated top

PRODUCT INFORMATION

(see C1RL Spec Sheets for complete details)

STANDARD FEATURES:

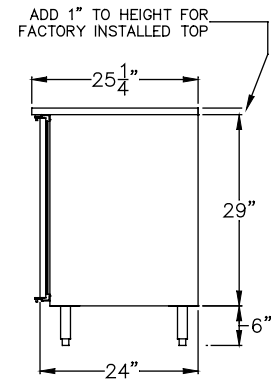
- Remote unit
- All stainless steel interior construction
- Two adjustable shelves per door
- Listed to NSF Standard 7 for open food storage

COOLERS - ONE ZONE, REMOTE, LOW PROFILE*

MODEL	LIST	LENGTH	DOOR		WEIGHT	BTU /HR	LONG NECK CASES	750ML WINE BOTTLES
			DOORS	OPENING				
C1RL24*	\$3,074	24" W	1	20"	170#	800	4.3	36
C1RL40*	\$3,807	40" W	2	16"	270#	1,000	8.2	60
C1RL48*	\$3,885	48" W	2	20"	275#	1,000	10.3	84
C1RL60*	\$5,088	60" W	3	16"	380#	1,300	12.8	96
C1RL72*	\$5,192	72" W	3	20"	390#	1,300	16.8	126
C1RL80*	\$6,312	80" W	4	16"	485#	1,600	18.0	132
C1RL96*	\$6,441	96" W	4	20"	500#	1,600	23.3	168

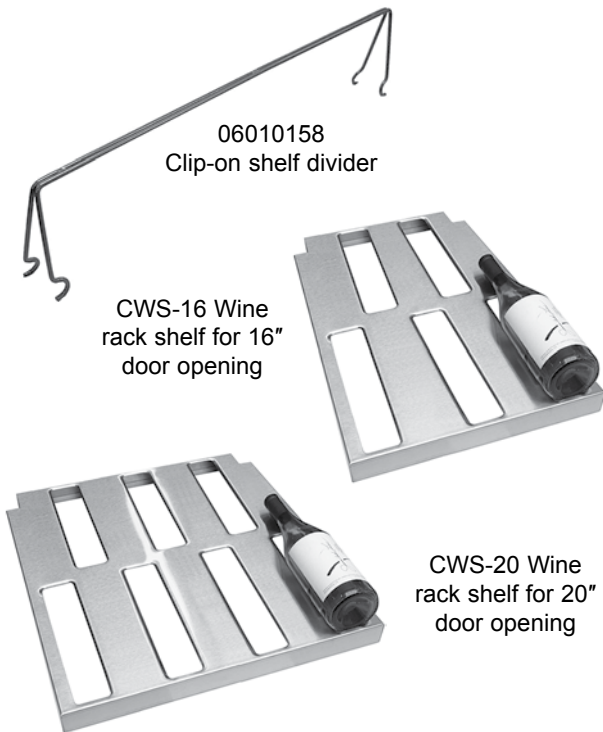
Base price only. See next page for configurable options.

*C1RL coolers are manufactured to order and are not returnable.



Side Elevation

Bar Refrigeration



ACCESSORIES

MODEL	DESCRIPTION	LIST
CWS-16	Wine rack shelf for 16" door opening, 5 bottle	\$108
CWS-20	Wine rack shelf for 20" door opening, 7 bottle	\$122
06010158	Clip-on shelf divider	\$25

CONDENSING UNITS AND INSTALLATION KITS**

MODEL	DESCRIPTION	LIST	WT
06006621**	1/3 HP R134a condensing unit kit, includes filter dryer, sight glass, and defrost timer. 2800 BTU/hr rated cooling capacity at 15°F evaporator temperature and 85°F ambient temperature. (13-1/2"W x 17"D x 9"H)	\$1,138	60#
06006622**	1/2 HP R134a condensing unit kit, includes filter dryer, sight glass, and defrost timer. 4100 BTU/hr rated cooling capacity at 15°F evaporator temperature and 85°F ambient temperature. (13-1/2"W x 18-1/4"D x 9-1/2"H)	\$1,689	60#
06009006**	1/3 HP R404A condensing unit kit, includes filter dryer, sight glass, and defrost timer. 2750 BTU/hr rated cooling capacity at 15°F evaporator temperature and 85°F ambient temperature. (13-1/2"W x 17"D x 9"H)	\$1,808	60#
06009007**	1/2 HP R404A condensing unit kit, includes filter dryer, sight glass, and defrost timer. 4500 BTU/hr rated cooling capacity at 15°F evaporator temperature and 85°F ambient temperature. (13-1/2"W x 18-1/4"D x 9-1/2"H)	\$2,130	60#

****NOTE: Consult the applicable remote refrigerator specification sheet and your refrigeration installer to select the correct condensing unit for your installation. Standard piping practices and local codes should be employed to size and install refrigerant gas and liquid lines.**

ACCESSORY FOR CONDENSING UNIT

06001413	Switch, low pressure control, for remote condensing unit	\$336	3#
----------	--	-------	----

ACCESSORY FOR REMOTE COOLER CABINET

SVC	Solenoid valve and coil kit, for remote unit	\$188	6#
SVC-L	Solenoid valve and coil kit with factory installation, for remote unit	\$530	6#

*NOTE: C1RL coolers are manufactured to order and are not returnable.

Select Configurable Options:

VOLTAGE

120V/60HZ	No charge
220V/50HZ (export voltage)	\$92

TEMPERATURE

Beer / Food, 34° to 40°, standard	No charge
White wine, 50° to 55°	No charge
Red wine, 60° to 65°	No charge

EXPANSION VALVE TYPE

R134a	No charge
R404a	No charge
R407a/R422D	No charge
R448a	No charge

REFRIGERATION HOOK-UP LOCATION

Left	No charge
Right	No charge

DOOR OPTIONS

NOTE: Select options for EACH Door Section

STYLE AND FINISH - SPECIFY & ADD FOR EACH DOOR

Door - Black vinyl-clad	No charge
Door - Unlaminated	No charge
Door - Stainless steel	\$30
Door - Jeweled stainless	\$150
Door - Laminated	\$172
Door - Glass, black vinyl-clad	\$332
Door - Glass, stainless steel	\$362
Door - Glass, jeweled stainless	\$483
Door - Glass, laminated	\$505

DOOR HINGE LOCATION - SPECIFY & ADD FOR EACH DOOR

Left	No charge
Right	No charge

DOOR HANDLE - SPECIFY & ADD FOR EACH DOOR

Polished stainless w/lock	No charge
Stainless pull tab w/lock	No charge
Polished brass w/lock	\$150



Polished stainless handle

Stainless pull tab handle



TOP STYLE

	24"	40"	48"	60"	72"	80"	96"
No finished top	No charge						
Stainless top	\$260	\$324	\$357	\$405	\$454	\$486	\$551
Laminated top	\$553	\$602	\$627	\$664	\$701	\$726	\$775

4" HIGH STAINLESS SPLASHES

	24"	40"	48"	60"	72"	80"	96"
NOTE: Can only be ordered with stainless steel top							
Backsplash	\$95	\$114	\$123	\$137	\$152	\$161	\$180
Left side splash	\$95	\$95	\$95	\$95	\$95	\$95	\$95
Right side splash	\$95	\$95	\$95	\$95	\$95	\$95	\$95

LEFT SIDE FINISH

Black vinyl-clad	No charge
Stainless Steel	\$30
Laminated	\$172

RIGHT SIDE FINISH

Black vinyl-clad	No charge
Stainless Steel	\$30
Laminated	\$172

BACK FINISH

	24"	40"	48"	60"	72"	80"	96"
Galvanized steel	No charge						
Stainless steel*	\$216	\$248	\$265	\$289	\$313	\$329	\$362

*NOTE: Stainless steel back option also includes stainless steel sides.

LED LIGHTING STYLE

Bright white (7,000k), standard	No charge
Warm white (3,500k)	No charge
Amber (2,700k)	No charge
Blue	No charge

LEG AND STAINLESS STEEL KICK RAILS

NOTE: Legs are required if kick rails are ordered.

	24"	40"	48"	60"	72"	80"	96"
6" legs	\$128	\$128	\$128	\$192	\$192	\$192	\$192
Front kick rail	\$75	\$87	\$93	\$103	\$112	\$118	\$130
Left side kick rail	\$75	\$75	\$75	\$75	\$75	\$75	\$75
Right side kick rail	\$75	\$75	\$75	\$75	\$75	\$75	\$75

Bar Refrigeration



C1SL48
with compressor right, black
vinyl-clad doors, and stainless top

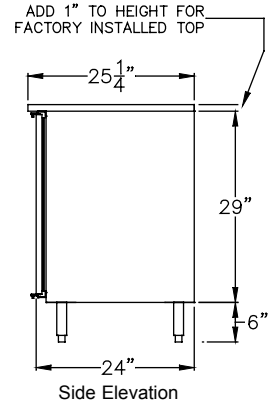
PRODUCT INFORMATION

(see C1SL Spec Sheet for complete details)

STANDARD FEATURES:

- Self-contained
- All stainless steel interior construction
- Two adjustable shelves per door
- Listed to NSF Standard 7 for open food storage

*NOTE: C1SL units are manufactured to order and are not returnable.



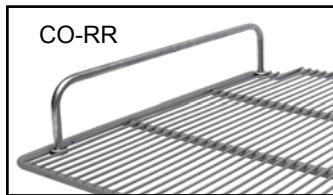
COOLERS - ONE ZONE, SIDE SERVICED, LOW PROFILE

MODEL	LIST	LENGTH	DOOR		WEIGHT	AMPS	HP	LONG NECK	750ML WINE
			DOORS	OPENING				CASES	BOTTLES**
C1SL24	\$3,667	24"	1	17.5" W	208#	2.75	1/8	4.5	48
C1SL28	\$3,806	28"	1	20" W	231#	2.75	1/8	5.1	53
C1SL36	\$4,963	36"	2	12" W	292#	2.75	1/8	6.9	85
C1SL44	\$5,161	44"	2	16" W	322#	2.75	1/8	8.9	93
C1SL48	\$5,261	48"	2	18" W	335#	2.75	1/8	10.3	134

Base price only. See next page for configurable options.

**Wine bottle capacity is based on shelves. Drawers are not intended for upright storage of wine bottles.

Bar Refrigeration



CO-RR

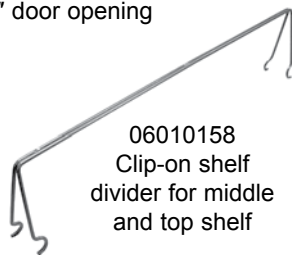
The CO-RR shelf retention rail should be used on all shelves adjacent to kegs. (CO-RR shown installed on shelf)



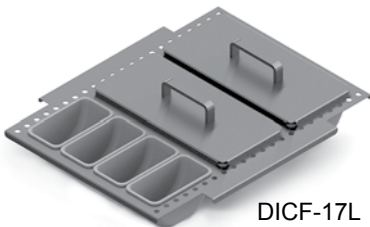
CWS-20 Wine rack shelf for 20" door opening



CWS-16 Wine rack shelf for 16" door opening

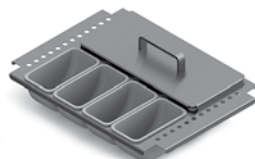


06010158
Clip-on shelf divider for middle and top shelf



DICF-17L

Front covers removed for illustrative purposes



DICP-17L

ACCESSORIES

MODEL	DESCRIPTION	LIST
CO-RR	Shelf retention rail	\$42
CWS-12	Wine rack shelf for 12" door opening, 3 bottle	\$92
CWS-16	Wine rack shelf for 16" door opening, 5 bottle	\$108
CWS-17	Wine rack shelf for 17.5" door opening, 5 bottle	\$115
CWS-18	Wine rack shelf for 18" door opening, 5 bottle	\$117
CWS-20	Wine rack shelf for 20" door opening, 7 bottle	\$122
DICF-12L	Drawer insert, condiments, full, 12" door opening, low-profile cooler, 6 cups	\$229
DICP-12L	Drawer insert, condiments, partial, 12" door opening, low-profile cooler, 4 cups	\$173
DICF-16L	Drawer insert, condiments, full, 16" door opening, low-profile cooler, 12 cups	\$337
DICP-16L	Drawer insert, condiments, partial, 16" door opening, low-profile cooler, 8 cups	\$244
DICF-17L	Drawer insert, condiments, full, 17.5" door opening, low-profile cooler, 12 cups	\$340
DICP-17L	Drawer insert, condiments, partial, 17.5" door opening, low-profile cooler, 8 cups	\$246
DICF-18L	Drawer insert, condiments, full, 18" door opening, low-profile cooler, 12 cups	\$343
DICP-18L	Drawer insert, condiments, partial, 18" door opening, low-profile cooler, 8 cups	\$248
DICF-20L	Drawer insert, condiments, full, 20" door opening, low-profile cooler, 15 cups	\$397
DICP-20L	Drawer insert, condiments, partial, 20" door opening, low-profile cooler, 10 cups	\$283
DIP-17	Drawer insert for food pans	
DIP-18	Drawer insert for food pans	
DIP-20	Drawer insert for food pans	
06010158	Clip-on shelf divider	\$25

Select Configurable Options:

VOLTAGE

120V/60HZ	No charge
220V/50HZ (export voltage)	\$183

TEMPERATURE

Beer / Food, 34° to 40°, standard	No charge
White wine, 50° to 55°	No charge
Red wine, 60° to 65°	No charge

REFRIGERATION COMPARTMENT LOCATION

Left	No charge
Right	No charge

REFRIGERATION COMPARTMENT COVER FINISH

Black vinyl-clad	No charge
Stainless steel	\$25
Jeweled stainless steel	\$138

DOOR/DRAWER OPTIONS

NOTE: Select options for EACH Door/Drawer Section

STYLE AND FINISH - SPECIFY & ADD FOR EACH SECTION

Door - Black vinyl-clad	No charge
Door - Unlaminated	No charge
Door - Stainless steel	\$30
Door - Jeweled stainless	\$150
Door - Laminated	\$172
Door - Glass, black vinyl-clad	\$332
Door - Glass, stainless steel	\$362
Door - Glass, jeweled stainless	\$483
Door - Glass, laminated	\$505
Drawers - Black vinyl-clad	\$1,373
Drawers - Stainless steel	\$1,403
Drawers - Jeweled stainless	\$1,524
Drawers - Laminated	\$1,546

DOOR HINGE LOCATION - SPECIFY & ADD FOR EACH DOOR

Left	No charge
Right	No charge

DOOR HANDLE - SPECIFY & ADD FOR EACH DOOR

NOTE: Drawers come with a stainless pull tab handle	
Polished stainless w/lock	No charge
Stainless pull tab w/lock	No charge
Polished brass w/lock	\$150

TOP STYLE

	24"	28"	36"	44"	48"
No finished top	No charge				
Stainless top	\$260	\$276	\$308	\$341	\$357
Laminated top	\$553	\$565	\$590	\$615	\$627
Drainboard top	\$430	\$458	\$515	\$571	\$599

4" HIGH STAINLESS SPLASHES

	24"	28"	36"	44"	48"
NOTE: Can only be ordered with stainless steel top					
Backsplash	\$95	\$100	\$109	\$119	\$123
Left side splash	\$95	\$95	\$95	\$95	\$95
Right side splash	\$95	\$95	\$95	\$95	\$95

LEFT SIDE FINISH

Black vinyl-clad	No charge
Stainless Steel	\$30
Laminated	\$172

RIGHT SIDE FINISH

Black vinyl-clad	No charge
Stainless Steel	\$30
Laminated	\$172

BACK FINISH

	24"	28"	36"	44"	48"
Galvanized steel	No charge				
Stainless steel*	\$216	\$224	\$240	\$256	\$265

*NOTE: Stainless steel back option also includes stainless steel sides.

LED LIGHTING STYLE

Bright white (7,000k), standard	No charge
Warm white (3,500k)	No charge
Amber (2,700k)	No charge
Blue	No charge

LEG AND STAINLESS STEEL KICK RAILS

NOTE: Legs are required if kick rails are ordered.

	24"	28"	36"	44"	48"
6" legs	\$128	\$128	\$128	\$128	\$128
Front kick rail	\$75	\$78	\$84	\$90	\$93
Left side kick rail	\$75	\$75	\$75	\$75	\$75
Right side kick rail	\$75	\$75	\$75	\$75	\$75

CASTERS

	24"	28"	36"	44"	48"
4" casters	\$114	\$114	\$114	\$114	\$114
2-1/2" casters	\$64	\$64	\$64	\$64	\$64



*NOTE: C1SL units are manufactured to order and are not returnable.

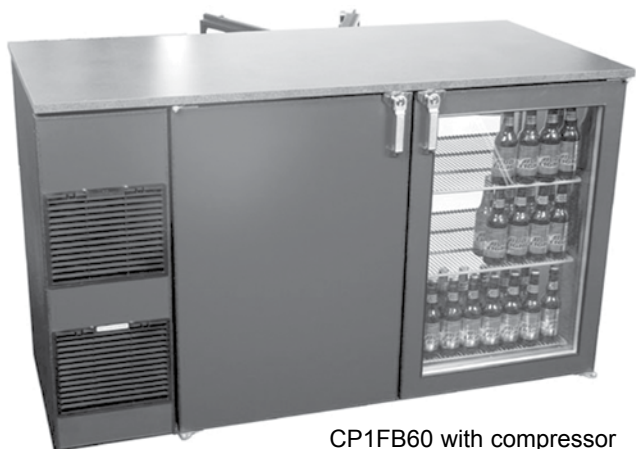
Optional Drawers

Glastender's refrigerated drawers include adjustable divider walls.
20" wide drawer opening shown

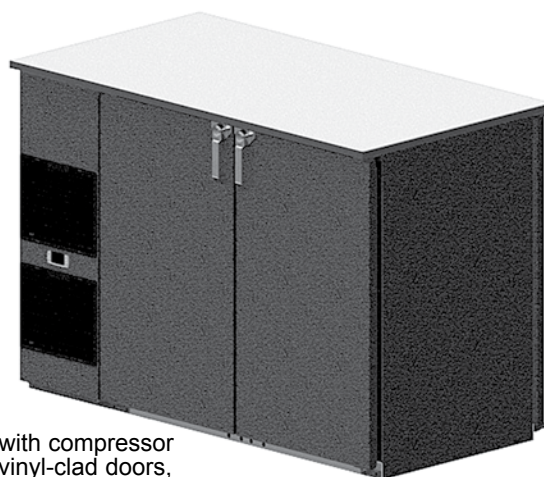


Stainless pull tab handle
Polished stainless handle

Bar Refrigeration



CP1FB60 with compressor left, laminated and glass doors, and stainless top

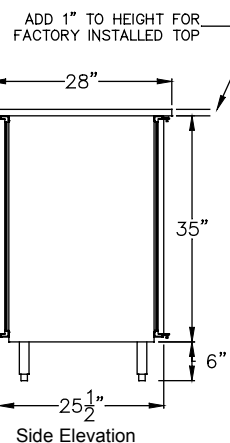


CP1FB52 with compressor left, black vinyl-clad doors, and stainless top

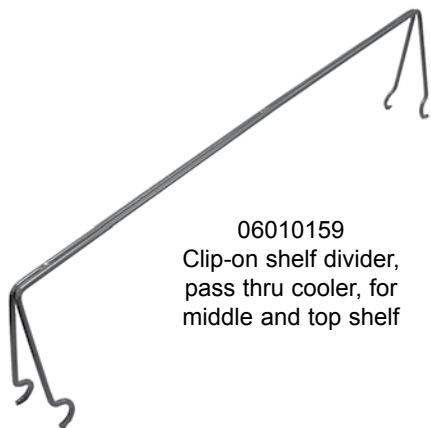
COOLERS - PASS-THRU, ONE ZONE, FRONT SERVICED, BAR PROFILE*

MODEL	LIST	LENGTH	DOORS	DOOR		WEIGHT	AMPS	HP	LONG NECK CASES	750ML WINE BOTTLES
				OPENING	W					
CP1FB32*	\$5,569	32"	2	16" w	320#	3.0	1/8	6.6	67	
CP1FB36*	\$5,625	36"	2	20" w	325#	3.0	1/8	8.8	79	
CP1FB52*	\$7,378	52"	4	16" w	435#	7.0	1/4	14.6	129	
CP1FB60*	\$7,606	60"	4	20" w	445#	7.0	1/4	19.1	177	
CP1FB72*	\$9,631	72"	6	16" w	580#	7.0	1/4	23.1	209	
CP1FB84*	\$9,929	84"	6	20" w	595#	7.0	1/4	29.9	271	

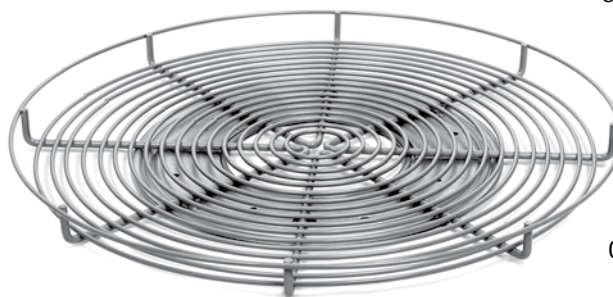
Base price only. See next page for configurable options.



*NOTE: CP1FB coolers are manufactured to order and are not returnable.



06010159
Clip-on shelf divider, pass thru cooler, for middle and top shelf



06009785

In a typical cooler, only the front row of bottles is easy to access. Glastender's rotary wine shelf increases access by 270% (16 vs. 6 bottles).

The rotary wine shelf is for use with CP1FB36, CP1FB60, and CP1FB84 model coolers. Two rotary shelves can be used behind each 20" door opening, where they sit on two standard cooler shelves. Each rotary shelf holds up to 29 wine bottles (750ml).

PRODUCT INFORMATION

(see CP1FB Spec Sheet for complete details)

STANDARD FEATURES:

- Self-contained
- All stainless steel interior construction
- Three adjustable shelves per section
- Listed to NSF Standard 7 for open food storage

ACCESSORIES

MODEL	DESCRIPTION	LIST
06009785	Rotary wine shelf (20" door opening ONLY)	\$158
CWS-16P	Wine rack shelf for 16" door opening, 5 bottle	\$108
CWS-20P	Wine rack shelf for 20" door opening, 7 bottle	\$122
06010159	Clip-on shelf divider for middle and top shelf	\$25
06006013	Clip-on shelf divider for bottom shelf only	\$25

Select Configurable Options:

*NOTE: CP1FB coolers are manufactured to order and are not returnable.

VOLTAGE

120V/60HZ	No charge
220V/50HZ (export voltage)	\$183

TEMPERATURE

Beer / Food, 34° to 40°, standard	No charge
White wine, 50° to 55°	No charge
Red wine, 60° to 65°	No charge

REFRIGERATION COMPARTMENT LOCATION

Left	No charge
Right	No charge

REFRIGERATION COMPARTMENT COVER FINISH

NOTE: Specify and add for both the front and the back

Black vinyl-clad	No charge
Unlaminated	No charge
Stainless steel	\$25
Jeweled stainless steel	\$138
Laminated	\$160

DOOR OPTIONS

NOTE: Select options for EACH Door

STYLE AND FINISH - SPECIFY & ADD FOR EACH DOOR

Door - Black vinyl-clad	No charge
Door - Unlaminated	No charge
Door - Stainless steel	\$30
Door - Jeweled stainless	\$150
Door - Laminated	\$172
Door - Glass, black vinyl-clad	\$332
Door - Glass, stainless steel	\$362
Door - Glass, jeweled stainless	\$483
Door - Glass, laminated	\$505

DOOR HINGE LOCATION - SPECIFY & ADD FOR EACH DOOR

Left	No charge
Right	No charge

DOOR HANDLE - SPECIFY & ADD FOR EACH DOOR

Polished stainless w/lock	No charge
Stainless pull tab w/lock	No charge
Polished brass w/lock	\$150

TOP STYLE

	32"	36"	52"	60"	72"	84"
No finished top	No charge					
Stainless top	\$334	\$353	\$432	\$471	\$530	\$589
Laminated top	\$578	\$590	\$639	\$664	\$701	\$738

LEFT SIDE FINISH

Black vinyl-clad	No charge
Stainless Steel	\$30
Laminated	\$172

RIGHT SIDE FINISH

Black vinyl-clad	No charge
Stainless Steel	\$30
Laminated	\$172

LED LIGHTING STYLE

Bright white (7,000k), standard	No charge
Warm white (3,500k)	No charge
Amber (2,700k)	No charge
Blue	No charge

LEG AND STAINLESS STEEL KICK RAILS

NOTE: Legs are required if kick rails are ordered.

	32"	36"	52"	60"	72"	84"
6" legs	\$160	\$160	\$128	\$128	\$192	\$192
Front kick rail	\$81	\$84	\$96	\$103	\$112	\$121
Back kick rail	\$81	\$84	\$96	\$103	\$112	\$121
Left side kick rail	\$75	\$75	\$75	\$75	\$75	\$75
Right side kick rail	\$75	\$75	\$75	\$75	\$75	\$75

CASTERS

	32"	36"	52"	60"	72"	84"
4" casters	\$138	\$138	\$114	\$114	\$171	\$171
2-1/2" casters	\$78	\$78	\$96	\$96	\$128	\$128

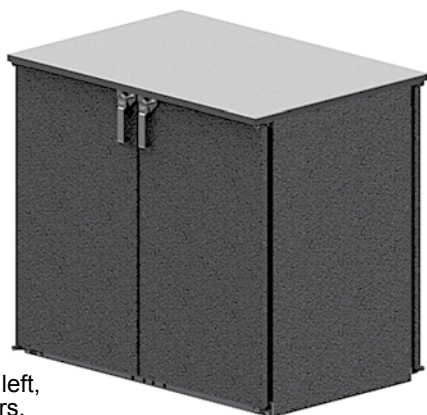


Polished stainless handle

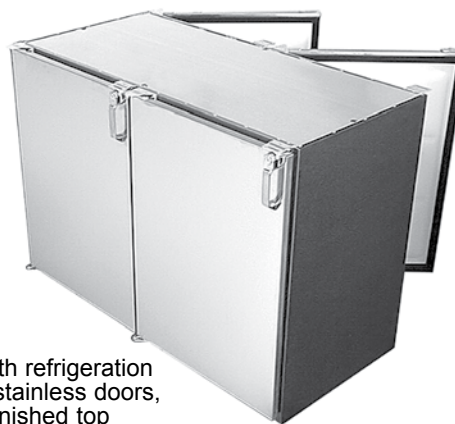


Stainless pull tab handle

Bar Refrigeration



CP1RB40 with refrigeration hook up left, black vinyl-clad doors, and laminated top



CP1RB48 with refrigeration hook up left, stainless doors, and no finished top

COOLERS - PASS-THRU, ONE ZONE, REMOTE, BAR PROFILE*

MODEL	LIST	LENGTH	DOORS	DOOR OPENING	WEIGHT	BTU /HR	LONG NECK CASES	750ML WINE BOTTLES**
CP1RB24*	\$3,997	24"	2	20"	225#	950	7.7	72
CP1RB40*	\$5,055	40"	4	16"	355#	1,600	13.1	114
CP1RB48*	\$5,212	48"	4	20"	365#	1,600	17.6	156
CP1RB60*	\$7,214	60"	6	16"	495#	2,000	21.6	194
CP1RB72*	\$7,437	72"	6	20"	510#	2,000	28.3	253

*NOTE:
CP1RB coolers are manufactured to order and are not returnable.

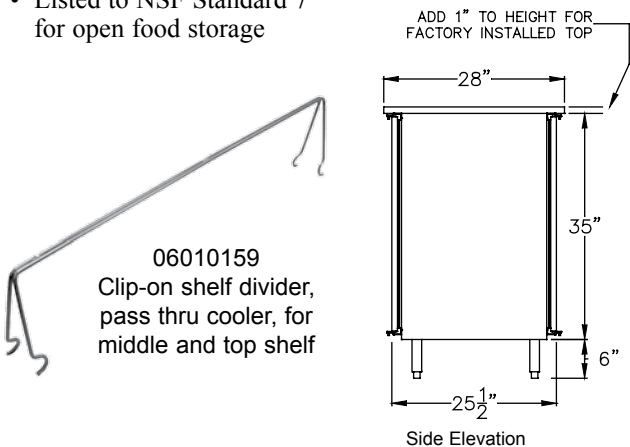
Base price only. See next page for configurable options.

PRODUCT INFORMATION

(see CP1RB Spec Sheet for complete details)

STANDARD FEATURES:

- Remote unit
- All stainless steel interior construction
- Three adjustable shelves per section
- Listed to NSF Standard 7 for open food storage



06010159
Clip-on shelf divider, pass thru cooler, for middle and top shelf

Side Elevation

ACCESSORIES

MODEL	DESCRIPTION	LIST
CWS-16P	Wine rack shelf for 16" door opening, 5 bottles	\$117
CWS-20P	Wine rack shelf for 20" door opening, 7 bottles	\$132
06010159	Clip-on shelf divider for middle and top shelf	\$25
06006013	Clip-on shelf divider for bottom shelf only	\$25

CONDENSING UNITS AND INSTALLATION KITS**

MODEL	DESCRIPTION	LIST	WT
06006621**	1/3 HP R134a condensing unit kit, includes filter dryer, sight glass, and defrost timer. 2800 BTU/hr rated cooling capacity at 15°F evaporator temperature and 85°F ambient temperature. (13-1/2"W x 17"D x 9"H)	\$1,138	60#
06006622**	1/2 HP R134a condensing unit kit, includes filter dryer, sight glass, and defrost timer. 4100 BTU/hr rated cooling capacity at 15°F evaporator temperature and 85°F ambient temperature. (13-1/2"W x 18-1/4"D x 9-1/2"H)	\$1,689	60#
06009006**	1/3 HP R404A condensing unit kit, includes filter dryer, sight glass, and defrost timer. 2750 BTU/hr rated cooling capacity at 15°F evaporator temperature and 85°F ambient temperature. (13-1/2"W x 17"D x 9"H)	\$1,808	60#
06009007**	1/2 HP R404A condensing unit kit, includes filter dryer, sight glass, and defrost timer. 4500 BTU/hr rated cooling capacity at 15°F evaporator temperature and 85°F ambient temperature. (13-1/2"W x 18-1/4"D x 9-1/2"H)	\$2,130	60#

****NOTE: Consult the applicable remote refrigerator specification sheet and your refrigeration installer to select the correct condensing unit for your installation. Standard piping practices and local codes should be employed to size and install refrigerant gas and liquid lines.**

ACCESSORY FOR CONDENSING UNIT			
06001413	Switch, low pressure control, for remote condensing unit	\$336	3#
ACCESSORY FOR REMOTE COOLER CABINET			
SVC	Solenoid valve and coil kit, for remote unit	\$188	6#
SVC-L	Solenoid valve and coil kit with factory installation, for remote unit	\$530	6#

Bar Refrigeration

*NOTE: CP1RB coolers are manufactured to order and are not returnable.

Select Configurable Options:

VOLTAGE

120V/60HZ	No charge
220V/50HZ (export voltage)	\$92

TEMPERATURE

Beer / Food, 34° to 40°, standard	No charge
White wine, 50° to 55°	No charge
Red wine, 60° to 65°	No charge

EXPANSION VALVE TYPE

R134a	No charge
R404a	No charge
R407a/R422D	No charge
R448a	No charge

REFRIGERATION HOOK-UP LOCATION

Left	No charge
Right	No charge

DOOR OPTIONS

NOTE: Select options for EACH Door Section

STYLE AND FINISH - SPECIFY & ADD FOR EACH DOOR

Door - Black vinyl-clad	No charge
Door - Unlaminated	No charge
Door - Stainless steel	\$30
Door - Jeweled stainless	\$150
Door - Laminated	\$172
Door - Glass, black vinyl-clad	\$332
Door - Glass, stainless steel	\$362
Door - Glass, jeweled stainless	\$483
Door - Glass, laminated	\$505

DOOR HINGE LOCATION - SPECIFY & ADD FOR EACH DOOR

Left	No charge
Right	No charge

DOOR HANDLE - SPECIFY & ADD FOR EACH DOOR

Polished stainless w/lock	No charge
Stainless pull tab w/lock	No charge
Polished brass w/lock	\$150

TOP STYLE

	24"	40"	48"	60"	72"
No finished top	No charge				
Stainless top	\$294	\$373	\$412	\$471	\$530
Laminated top	\$553	\$602	\$627	\$664	\$701

LEFT SIDE FINISH

Black vinyl-clad	No charge
Stainless Steel	\$30
Laminated	\$172

RIGHT SIDE FINISH

Black vinyl-clad	No charge
Stainless Steel	\$30
Laminated	\$172

LED LIGHTING STYLE

Bright white (7,000k), standard	No charge
Warm white (3,500k)	No charge
Amber (2,700k)	No charge
Blue	No charge

LEG AND STAINLESS STEEL KICK RAILS

NOTE: Legs are required if kick rails are ordered.

	24"	40"	48"	60"	72"
6" legs	\$128	\$128	\$128	\$192	\$192
Front kick rail	\$75	\$87	\$93	\$103	\$112
Back kick rail	\$75	\$87	\$93	\$103	\$112
Left side kick rail	\$75	\$75	\$75	\$75	\$75
Right side kick rail	\$75	\$75	\$75	\$75	\$75

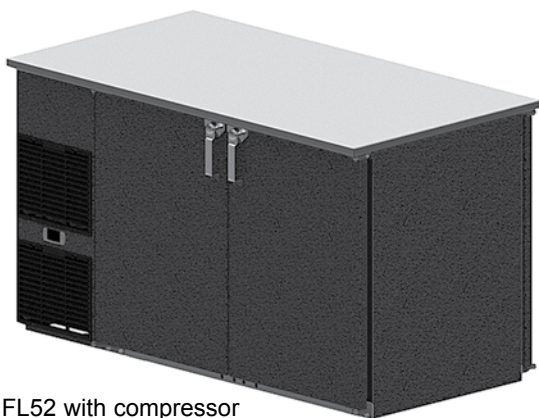
Bar Refrigeration



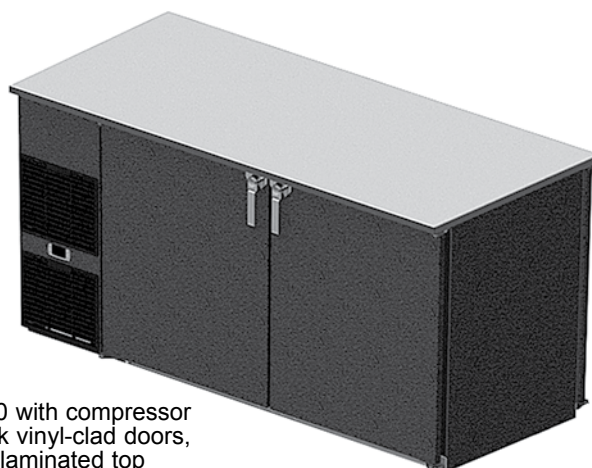
Polished stainless handle



Stainless pull tab handle



CP1FL52 with compressor left, black vinyl-clad doors, and laminated top



CP1FL60 with compressor left, black vinyl-clad doors, and laminated top

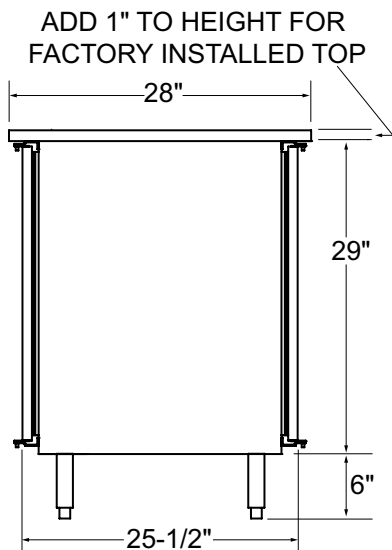
COOLERS - PASS-THRU, ONE ZONE, FRONT SERVICED, LOW PROFILE*

MODEL	LIST	LENGTH	DOOR		WEIGHT	AMPS	HP	LONG NECK		750ML WINE BOTTLES
			DOORS	OPENING				CASES		
CP1FL32*	\$5,400	32"	2	16" W	315#	3.0	1/8	4.4		35
CP1FL36*	\$5,457	36"	2	20" W	320#	3.0	1/8	5.8		42
CP1FL52*	\$7,074	52"	4	16" W	425#	7.0	1/4	9.7		66
CP1FL60*	\$7,226	60"	4	20" W	435#	7.0	1/4	12.7		90
CP1FL72*	\$9,233	72"	6	16" W	565#	7.0	1/4	15.4		106
CP1FL84*	\$9,433	84"	6	20" W	580#	7.0	1/4	19.9		137

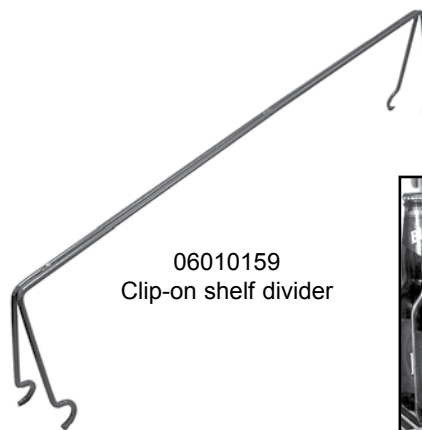
Base price only. See next page for configurable options.

*NOTE: CPIFL units are manufactured to order and are not returnable.

Bar Refrigeration



Side Elevation



06010159
Clip-on shelf divider



PRODUCT INFORMATION

(see CPIFL Spec Sheet for complete details)

STANDARD FEATURES:

- Self-contained
- All stainless steel interior construction
- Two adjustable shelves per section
- Listed to NSF Standard 7 for open food storage

ACCESSORIES

MODEL	DESCRIPTION	LIST
CWS-16P	Wine rack shelf for 16" door opening, 5 bottle	\$108
CWS-20P	Wine rack shelf for 20" door opening, 7 bottle	\$122
06010159	Clip-on shelf divider	\$25

*NOTE: CP1FL units are manufactured to order and are not returnable.

Select Configurable Options:

VOLTAGE

120V/60HZ	No charge
220V/50HZ (export voltage)	\$183

TEMPERATURE

Beer / Food, 34° to 40°, standard	No charge
White wine, 50° to 55°	No charge
Red wine, 60° to 65°	No charge

REFRIGERATION COMPARTMENT LOCATION

Left	No charge
Right	No charge

REFRIGERATION COMPARTMENT COVER FINISH

NOTE: Specify and add for both the front and the back

Black vinyl-clad	No charge
Unlaminated	No charge
Stainless steel	\$25
Jeweled stainless steel	\$138
Laminated	\$160

DOOR OPTIONS

NOTE: Select options for EACH Door Section

STYLE AND FINISH - SPECIFY & ADD FOR EACH SECTION

Door - Black vinyl-clad	No charge
Door - Unlaminated	No charge
Door - Stainless steel	\$30
Door - Jeweled stainless	\$150
Door - Laminated	\$172
Door - Glass, black vinyl-clad	\$332
Door - Glass, stainless steel	\$362
Door - Glass, jeweled stainless	\$483
Door - Glass, laminated	\$505

DOOR HINGE LOCATION - SPECIFY & ADD FOR EACH DOOR

Left	No charge
Right	No charge

DOOR HANDLE - SPECIFY & ADD FOR EACH DOOR

Polished stainless w/lock	No charge
Stainless pull tab w/lock	No charge
Polished brass w/lock	\$150

TOP STYLE

	32"	36"	52"	60"	72"	84"
No finished top	No charge					
Stainless top	\$334	\$353	\$432	\$471	\$530	\$589
Laminated top	\$578	\$590	\$639	\$664	\$701	\$738

LEFT SIDE FINISH

Black vinyl-clad	No charge
Stainless Steel	\$30
Laminated	\$172

RIGHT SIDE FINISH

Black vinyl-clad	No charge
Stainless Steel	\$30
Laminated	\$172

LED LIGHTING STYLE

Bright white (7,000k), standard	No charge
Warm white (3,500k)	No charge
Amber (2,700k)	No charge
Blue	No charge

LEG AND STAINLESS STEEL KICK RAILS

NOTE: Legs are required if kick rails are ordered.

	32"	36"	52"	60"	72"	84"
6" legs	\$160	\$160	\$128	\$128	\$192	\$192
Front kick rail	\$81	\$84	\$96	\$103	\$112	\$121
Back kick rail	\$81	\$84	\$96	\$103	\$112	\$121
Left side kick rail	\$75	\$75	\$75	\$75	\$75	\$75
Right side kick rail	\$75	\$75	\$75	\$75	\$75	\$75

CASTERS

	32"	36"	52"	60"	72"	84"
4" casters	\$138	\$138	\$114	\$114	\$171	\$171
2-1/2" casters	\$78	\$78	\$96	\$96	\$128	\$128

Bar Refrigeration



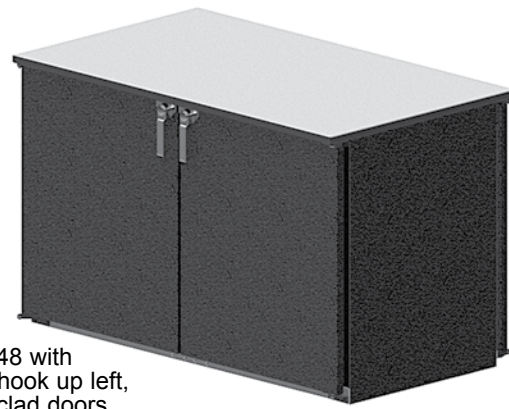
Polished stainless handle



Stainless pull tab handle



CP1RL40 with refrigeration hook up left, black vinyl-clad doors, and laminated top



CP1RL48 with refrigeration hook up left, black vinyl-clad doors, and laminated top

COOLERS - PASS-THRU, ONE ZONE, REMOTE, LOW PROFILE*

MODEL	LIST	LENGTH	DOOR			BTU /Hr	LONG NECK CASES	750ML WINE	
			DOORS	OPENING	WEIGHT			BOTTLES**	BOTTLES**
CP1RL24*	\$3,877	24"	2	20"	220#	850	4.7	42	
CP1RL40*	\$4,847	40"	4	16"	350#	1,600	8.2	66	
CP1RL48*	\$4,952	48"	4	20"	355#	1,600	11.8	90	
CP1RL60*	\$6,916	60"	6	16"	485#	2,000	13.8	106	
CP1RL72*	\$7,065	72"	6	20"	495#	2,000	18.3	137	

*NOTE: CP1RL coolers are manufactured to order and are not returnable.

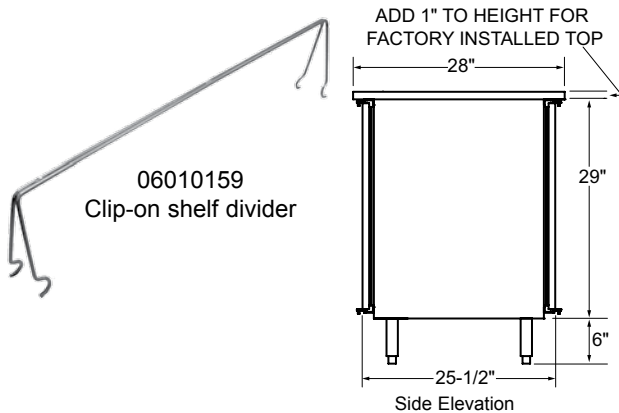
Base price only. See next page for configurable options.

PRODUCT INFORMATION

(see CP1RL Spec Sheet for complete details)

STANDARD FEATURES:

- Remote unit
- All stainless steel interior construction
- Two adjustable shelves per section
- Listed to NSF Standard 7 for open food storage



ACCESSORIES

MODEL	DESCRIPTION	LIST
CWS-16P	Wine rack shelf for 16" door opening, 5 bottle	\$117
CWS-20P	Wine rack shelf for 20" door opening, 7 bottle	\$132
06010159	Clip-on shelf divider	\$25

CONDENSING UNITS AND INSTALLATION KITS**

MODEL	DESCRIPTION	LIST	WT
06006621**	1/3 HP R134a condensing unit kit, includes filter dryer, sight glass, and defrost timer. 2800 BTU/hr rated cooling capacity at 15°F evaporator temperature and 85°F ambient temperature. (13-1/2"W x 17"D x 9"H)	\$1,138	60#
06006622**	1/2 HP R134a condensing unit kit, includes filter dryer, sight glass, and defrost timer. 4100 BTU/hr rated cooling capacity at 15°F evaporator temperature and 85°F ambient temperature. (13-1/2"W x 18-1/4"D x 9-1/2"H)	\$1,689	60#
06009006**	1/3 HP R404A condensing unit kit, includes filter dryer, sight glass, and defrost timer. 2750 BTU/hr rated cooling capacity at 15°F evaporator temperature and 85°F ambient temperature. (13-1/2"W x 17"D x 9"H)	\$1,808	60#
06009007**	1/2 HP R404A condensing unit kit, includes filter dryer, sight glass, and defrost timer. 4500 BTU/hr rated cooling capacity at 15°F evaporator temperature and 85°F ambient temperature. (13-1/2"W x 18-1/4"D x 9-1/2"H)	\$2,130	60#

**NOTE: Consult the applicable remote refrigerator specification sheet and your refrigeration installer to select the correct condensing unit for your installation. Standard piping practices and local codes should be employed to size and install refrigerant gas and liquid lines.

ACCESSORY FOR CONDENSING UNIT			
06001413	Switch, low pressure control, for remote condensing unit	\$336	3#
ACCESSORY FOR REMOTE COOLER CABINET			
SVC	Solenoid valve and coil kit, for remote unit	\$188	6#
SVC-L	Solenoid valve and coil kit with factory installation, for remote unit	\$530	6#

Bar Refrigeration

*NOTE: CP1RL coolers are manufactured to order and are not returnable.

Select Configurable Options:

VOLTAGE

120V/60HZ	No charge
220V/50HZ (export voltage)	\$92

TEMPERATURE

Beer / Food, 34° to 40°, standard	No charge
White wine, 50° to 55°	No charge
Red wine, 60° to 65°	No charge

EXPANSION VALVE TYPE

R134a	No charge
R404a	No charge
R407a/R422D	No charge
R448a	No charge

REFRIGERATION HOOK-UP LOCATION

Left	No charge
Right	No charge

DOOR OPTIONS

NOTE: Select options for EACH Door Section

STYLE AND FINISH - SPECIFY & ADD FOR EACH DOOR

Door - Black vinyl-clad	No charge
Door - Unlaminated	No charge
Door - Stainless steel	\$30
Door - Jeweled stainless	\$150
Door - Laminated	\$172
Door - Glass, black vinyl-clad	\$332
Door - Glass, stainless steel	\$362
Door - Glass, jeweled stainless	\$483
Door - Glass, laminated	\$505

DOOR HINGE LOCATION - SPECIFY & ADD FOR EACH DOOR

Left	No charge
Right	No charge

DOOR HANDLE - SPECIFY & ADD FOR EACH DOOR

Polished stainless w/lock	No charge
Stainless pull tab w/lock	No charge
Polished brass w/lock	\$150

TOP STYLE

	24"	40"	48"	60"	72"
No finished top	No charge				
Stainless top	\$294	\$373	\$412	\$471	\$530
Laminated top	\$553	\$602	\$627	\$664	\$701

LEFT SIDE FINISH

Black vinyl-clad	No charge
Stainless Steel	\$30
Laminated	\$172

RIGHT SIDE FINISH

Black vinyl-clad	No charge
Stainless Steel	\$30
Laminated	\$172

LED LIGHTING STYLE

Bright white (7,000k), standard	No charge
Warm white (3,500k)	No charge
Amber (2,700k)	No charge
Blue	No charge

LEG AND STAINLESS STEEL KICK RAILS

NOTE: Legs are required if kick rails are ordered.

	24"	40"	48"	60"	72"
6" legs	\$128	\$128	\$128	\$192	\$192
Front kick rail	\$75	\$87	\$93	\$103	\$112
Back kick rail	\$75	\$87	\$93	\$103	\$112
Left side kick rail	\$75	\$75	\$75	\$75	\$75
Right side kick rail	\$75	\$75	\$75	\$75	\$75

Bar Refrigeration



Stainless pull tab handle

Polished stainless handle



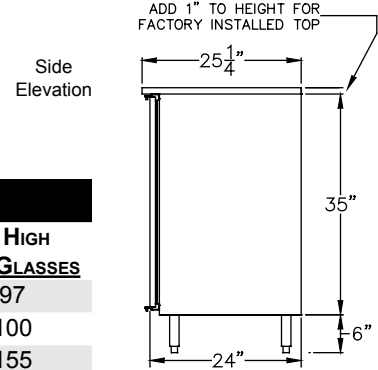
F1SB48 with compressor left, black vinyl-clad glass doors, and stainless steel top

PRODUCT INFORMATION

(see F1SB Spec Sheet for complete details)

STANDARD FEATURES:

- Self-contained
- All stainless steel interior construction
- Three adjustable shelves per door
- Listed to NSF Standard 7 for closed container products



FROSTERS - ONE ZONE, SIDE SERVICED, BAR PROFILE

MODEL	LIST	LENGTH	DOORS	DOOR OPENING	WEIGHT	AMPS	HP	10 Oz. MUGS	6" High PINT GLASSES
F1SB24	\$4,329	24"	1	17.5" W	213#	5.0	1/3	132	97
F1SB28*	\$4,438	28"	1	20" W	236#	5.0	1/3	160	100
F1SB36*	\$5,804	36"	2	12" W	302#	5.0	1/3	223	155
F1SB44*	\$6,103	44"	2	16" W	332#	5.0	1/3	299	200
F1SB48	\$6,257	48"	2	18" W	345#	5.0	1/3	339	214

Base price only. See below for configurable options.

*NOTE: F1SB28, F1SB36, and F1SB44 frosters are manufactured to order and are not returnable.

Bar Refrigeration

Select Configurable Options:

VOLTAGE

120V/60HZ	No charge
220V/50HZ (export voltage)	\$183

REFRIGERATION COMPARTMENT LOCATION

Left	No charge
Right	No charge

REFRIGERATION COMPARTMENT COVER FINISH

Black vinyl-clad	No charge
Stainless steel	\$25
Jeweled stainless steel	\$138

DOOR OPTIONS

NOTE: Select options for EACH Door Section

STYLE AND FINISH - SPECIFY & ADD FOR EACH SECTION

Door - Black vinyl-clad	No charge
Door - Unlaminated	No charge
Door - Stainless steel	\$30
Door - Jeweled stainless	\$150
Door - Laminated	\$172
Door - Glass, black vinyl-clad	\$435
Door - Glass, stainless steel	\$465
Door - Glass, jeweled stainless	\$585
Door - Glass, laminated	\$607

DOOR HINGE LOCATION - SPECIFY & ADD FOR EACH DOOR

Left	No charge
Right	No charge

DOOR HANDLE - SPECIFY & ADD FOR EACH DOOR

Polished stainless w/lock	No charge
Stainless pull tab w/lock	No charge
Polished brass w/lock	\$150

TOP STYLE

	24"	28"	36"	44"	48"
No finished top	No charge				
Stainless top	\$260	\$276	\$308	\$341	\$357
Laminated top	\$553	\$565	\$590	\$615	\$627

LEFT SIDE FINISH

Black vinyl-clad	No charge
Stainless Steel	\$30
Laminated	\$172

RIGHT SIDE FINISH

Black vinyl-clad	No charge
Stainless Steel	\$30
Laminated	\$172

BACK FINISH

	24"	28"	36"	44"	48"
Galvanized steel	No charge				
Stainless steel*	\$216	\$224	\$240	\$256	\$265

*NOTE: Stainless steel back option also includes stainless steel sides.

LED LIGHTING STYLE

Bright white (7,000k), standard	No charge
Warm white (3,500k)	No charge
Amber (2,700k)	No charge
Blue	No charge

LEG AND STAINLESS STEEL KICK RAILS

NOTE: Legs are required if kick rails are ordered.

	24"	28"	36"	44"	48"
6" legs	\$128	\$128	\$128	\$128	\$128
Front kick rail	\$75	\$78	\$84	\$90	\$93
Left side kick rail	\$75	\$75	\$75	\$75	\$75
Right side kick rail	\$75	\$75	\$75	\$75	\$75

CASTERS

	24"	28"	36"	44"	48"
4" casters	\$114	\$114	\$114	\$114	\$114
2-1/2" casters	\$64	\$64	\$64	\$64	\$64



F1SL24 with compressor right, black vinyl-clad glass door, and stainless steel top

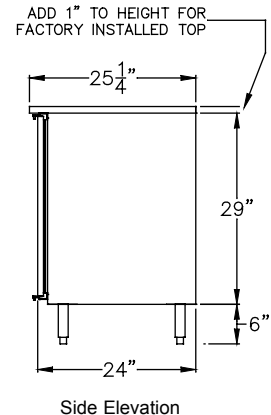
PRODUCT INFORMATION

(see F1SL Spec Sheet for complete details)

STANDARD FEATURES:

- Self-contained
- All stainless steel interior construction
- Three adjustable shelves per door
- Listed to NSF Standard 7 for closed container storage

*NOTE: F1SL units are manufactured to order and are not returnable.



FROSTERS - ONE ZONE, SIDE SERVICED, LOW PROFILE*

MODEL	LIST	LENGTH	DOOR		WEIGHT	AMPS	HP	10 Oz. MUGS	6" High PINT GLASSES
			DOORS	OPENING					
F1SL24	\$4,207	24"	1	17.5" W	208#	5.0	1/3	101	72
F1SL28	\$4,341	28"	1	20" W	231#	5.0	1/3	123	75
F1SL36	\$5,584	36"	2	12" W	292#	5.0	1/3	171	115
F1SL44	\$5,851	44"	2	16" W	322#	5.0	1/3	231	151
F1SL48	\$5,990	48"	2	18" W	335#	5.0	1/3	261	169

Base price only. See below for configurable options.

Select Configurable Options:

VOLTAGE	
120V/60HZ	No charge
220V/50HZ (export voltage)	\$183

REFRIGERATION COMPARTMENT LOCATION	
Left	No charge
Right	No charge

REFRIGERATION COMPARTMENT COVER FINISH	
Black vinyl-clad	No charge
Stainless steel	\$25
Jeweled stainless steel	\$138

DOOR OPTIONS	
NOTE: Select options for EACH Door Section	
STYLE AND FINISH - SPECIFY & ADD FOR EACH SECTION	
Door - Black vinyl-clad	No charge
Door - Unlaminated	No charge
Door - Stainless steel	\$30
Door - Jeweled stainless	\$150
Door - Laminated	\$172
Door - Glass, black vinyl-clad	\$435
Door - Glass, stainless steel	\$465
Door - Glass, jeweled stainless	\$585
Door - Glass, laminated	\$607

DOOR HINGE LOCATION - SPECIFY & ADD FOR EACH DOOR	
Left	No charge
Right	No charge

DOOR HANDLE - SPECIFY & ADD FOR EACH DOOR	
Polished stainless w/lock	No charge
Stainless pull tab w/lock	No charge
Polished brass w/lock	\$150

TOP STYLE	24"	28"	36"	44"	48"
No finished top	No charge				
Stainless top	\$260	\$276	\$308	\$341	\$357
Laminated top	\$553	\$565	\$590	\$615	\$627

4" HIGH STAINLESS SPLASHES	24"	28"	36"	44"	48"
NOTE: Can only be ordered with stainless steel top					
Backsplash	\$95	\$100	\$109	\$119	\$123
Left side splash	\$95	\$95	\$95	\$95	\$95
Right side splash	\$95	\$95	\$95	\$95	\$95

LEFT SIDE FINISH	24"	28"	36"	44"	48"
Black vinyl-clad	No charge				
Stainless Steel	\$30				
Laminated	\$172				

RIGHT SIDE FINISH	24"	28"	36"	44"	48"
Black vinyl-clad	No charge				
Stainless Steel	\$30				
Laminated	\$172				

BACK FINISH	24"	28"	36"	44"	48"
Galvanized steel	No charge				
Stainless steel*	\$216	\$224	\$240	\$256	\$265

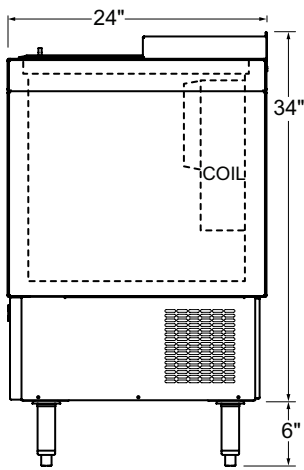
*NOTE: Stainless steel back option also includes stainless steel sides.

LED LIGHTING STYLE	24"	28"	36"	44"	48"
Bright white (7,000k), standard	No charge				
Warm white (3,500k)	No charge				
Amber (2,700k)	No charge				
Blue	No charge				

LEG AND STAINLESS STEEL KICK RAILS	24"	28"	36"	44"	48"
NOTE: Legs are required if kick rails are ordered.					
6" legs	\$128	\$128	\$128	\$128	\$128
Front kick rail	\$75	\$78	\$84	\$90	\$93
Left side kick rail	\$75	\$75	\$75	\$75	\$75
Right side kick rail	\$75	\$75	\$75	\$75	\$75

CASTERS	24"	28"	36"	44"	48"
4" casters	\$114	\$114	\$114	\$114	\$114
2-1/2" casters	\$64	\$64	\$64	\$64	\$64

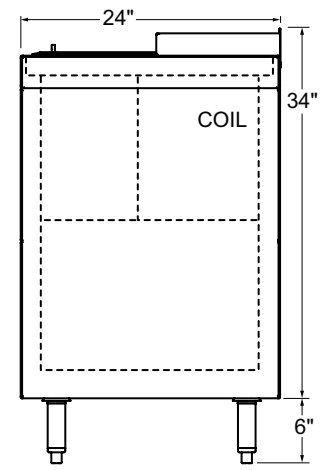
Bar Refrigeration



ST24
Side Elevation



ST48-S



ST36, ST48, ST60, ST72, ST96
Side Elevation

SLIDE TOP COOLERS

BLACK VINYL-CLAD EXTERIOR		STAINLESS STEEL EXTERIOR		LENGTH	DIVIDER RACKS	CASE CAP. BOTTLES	WGT
MODEL	LIST	MODEL	LIST				
ST24-B	\$3,308	ST24-S	\$3,472	24"	1	6.0	180#
ST36-B	\$3,820	ST36-S	\$3,995	36"	2	9.4	230#
ST48-B	\$4,871	ST48-S	\$5,057	48"	3	13.8	270#
ST60-B	\$5,543	ST60-S	\$5,740	60"	3	19.9	320#
ST72-B	\$6,266	ST72-S	\$6,475	72"	4	25.4	350#
ST96-B*	\$7,544	ST96-S*	\$7,775	96"	5	34.4	450#

*NOTE: These model Slide Top Coolers are manufactured to order and are not returnable

PRODUCT INFORMATION

(see ST Spec Sheet for complete details)

STANDARD FEATURES:

- Self-contained refrigeration
- All stainless steel interior with radius corners is easy to keep clean
- Easy to plan exterior dimensions: 24" front to back and 24", 36", 48", 60", 72", or 96" left to right
- Foamed-in-place insulation
- Six-foot grounded cord and plug provided (exits at rear)
- Automatic defrost timer
- Door lock(s)

ELECTRICAL:

- Dedicated 15 amp circuit is required
- 120V, 1 phase, 60 Hz, 4.5 full load amps
- Includes 9-foot grounded cord

REFRIGERATION:

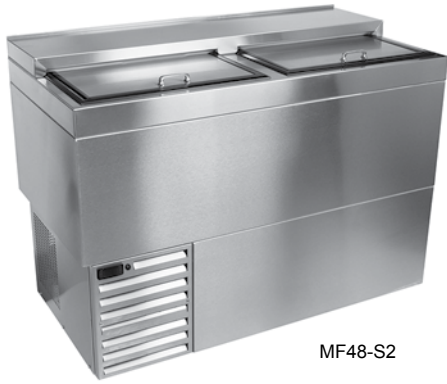
- 1/6 HP, R290 refrigerant

PLUMBING:

Automatic condensate evaporator. No drain connection required.

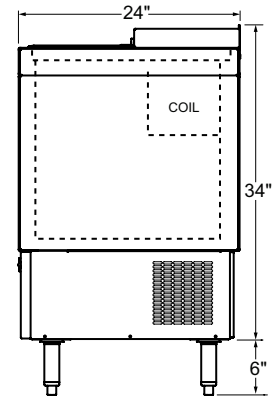
ACCESSORIES

MODEL	DESCRIPTION	LIST	WT	MODEL	DESCRIPTION	LIST	WT
C-4X4	4"H caster, set of four (ST24, ST36, ST48, ST60)	\$114	4#	STKR-60	60" kick rail	\$103	5#
C-6X4	4"H caster, set of six (ST72, ST96)	\$171	6#	STKR-72	72" kick rail	\$112	6#
C-4X2	2-1/2"H caster, set of four (ST24, ST36)	\$64	4#	STKR-96	96" kick rail	\$130	9#
C-6X2	2-1/2"H caster, set of six (ST48, ST60)	\$96	6#	STBS-24	24" slide top backsplash	\$95	4#
C-8X2	2-1/2"H caster, set of eight (ST72)	\$128	8#	STBS-36	36" slide top backsplash	\$109	6#
C-10X2	2-1/2"H caster, set of ten (ST96)	\$160	10#	STBS-48	48" slide top backsplash	\$123	8#
STLS-4	Legs (set of 4), 6" (ST24, 36, 48, 60)	\$128	12#	STBS-60	60" slide top backsplash	\$137	10#
STLS-6	Legs (set of 6), 6" (ST72, 96)	\$192	18#	STBS-72	72" slide top backsplash	\$152	12#
BO/CC	Bottle opener/cap catcher	\$60	5#	STBS-96	96" slide top backsplash	\$180	16#
STKR-24	24" kick rail	\$75	2#	08000512	Chrome divider rack (extra) for ST36, 48, 60, 72, and 96	\$58	4#
STKR-36	36" kick rail	\$84	3#	08000519	Stainless steel divider wall (extra) for ST24	\$63	5#
STKR-48	48" kick rail	\$93	4#	CE-220/50S	Convert self-contained unit to 220V/50Hz electrical	\$183	N/A

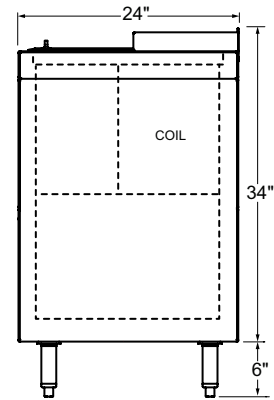


MF48-S2

NOTE: Units come standard with bottom rack, which is recommended for chilling stacked plates. Two additional layers of shelves are optional, which is recommended for chilling glassware.



MF24
Side Elevation



MF36, MF48
Side Elevation

24" MODELS

BLACK VINYL-CLAD EXTERIOR		STAINLESS STEEL EXTERIOR		NUMBER OF SHELVES	WGT
MODEL	LIST	MODEL	LIST		
MF24-B	\$3,905	MF24-S	\$4,068	0	195#
MF24-B2	\$4,017	MF24-S2	\$4,179	2	205#

36" MODELS

BLACK VINYL-CLAD EXTERIOR		STAINLESS STEEL EXTERIOR		NUMBER OF SHELVES	WGT
MODEL	LIST	MODEL	LIST		
MF36-B	\$4,384	MF36-S	\$4,558	0	235#
MF36-B2	\$4,557	MF36-S2	\$4,731	2	255#

48" MODELS

BLACK VINYL-CLAD EXTERIOR		STAINLESS STEEL EXTERIOR		NUMBER OF SHELVES	WGT
MODEL	LIST	MODEL	LIST		
MF48-B	\$4,946	MF48-S	\$5,132	0	280#
MF48-B2	\$5,183	MF48-S2	\$5,368	2	300#

ACCESSORIES

MODEL	DESCRIPTION	LIST	WT
C-4X4	4"H caster, set of four	\$114	4#
C-4X2	2-1/2"H caster, set of four	\$64	4#
MFLS	Legs (set of 4), 6"	\$128	12#
MFKR-24	24" kick rail	\$75	2#
MFKR-36	36" kick rail	\$84	3#
MFKR-48	48" kick rail	\$93	4#
SSR-24	24" single speed rail	\$189	7#
SSR-36	36" single speed rail	\$220	12#
SSR-48	48" single speed rail	\$252	22#
MFBS-24	24" backsplash	\$95	4#
MFBS-36	36" backsplash	\$109	6#
MFBS-48	48" backsplash	\$123	8#
CE-220/50S	Convert self-contained unit to 220V/50Hz electrical	\$183	N/A

PRODUCT INFORMATION

(see MF Spec Sheet for complete details)

STANDARD FEATURES: All stainless steel interior construction
 • Units come standard with bottom rack, which is recommended for chilling stacked plates. Two additional layers of shelves are optional, which is recommended for chilling glassware. • Two Defrost Cycles: *Automatic* - occurs every eight hours without affecting normal operation, *Manual* - user initiated button for complete six-hour defrost with automatic restart

ELECTRICAL: 120V, 1 phase, 60 Hz, 6.0 full load amps. Includes 9-foot grounded cord.

REFRIGERATION: 1/3 HP, R290 refrigerant, operating range: 12°F to 35°F

PLUMBING: No drain connection required

CAPACITY: Pint glasses - 24" Model = 55♦, 36" Model = 87♦, 48" Model = 147♦

♦ Based on models with two additional layers of shelves and filled with 3-1/2" diameter by 5-7/8" high pint glasses

Bar Refrigeration

12" DEEP GLASS ICE DISPLAY UNITS

MODEL	LIST	WEIGHT	LENGTH
GDU-12x24	\$1,414	60#	24"
GDU-12x30	\$1,479	65#	30"
GDU-12x36	\$1,543	70#	36"
GDU-12x42	\$1,609	75#	42"
GDU-12x48	\$1,674	80#	48"
GDU-12x54	\$1,740	85#	54"
GDU-12x60	\$2,385	90#	60"
GDU-12x66	\$2,474	95#	66"
GDU-12x72	\$2,564	100#	72"
GDU-12x78	\$2,653	105#	78"
GDU-12x84	\$2,742	110#	84"
GDU-12x90	\$2,832	115#	90"
GDU-12x96	\$2,921	120#	96"
GDU-12x102	\$3,011	125#	102"
GDU-12x108	\$3,099	130#	108"



NOTE: Cooler top is 1-1/2" high NOT the standard 1"

GDU-16x48
Factory mounted on cooler cabinet



GDU-18x42
For field installation

16" DEEP GLASS ICE DISPLAY UNITS

16" Deep Glass Display Units factory installed on cooler tops are perfect for use with Glasterder Lighted Liquor Displays.

MODEL	LIST	WEIGHT	LENGTH
GDU-16x24	\$1,565	70#	24"
GDU-16x30	\$1,631	75#	30"
GDU-16x36	\$1,696	80#	36"
GDU-16x42	\$1,761	85#	42"
GDU-16x48	\$1,827	90#	48"
GDU-16x54	\$1,892	95#	54"
GDU-16x60	\$2,538	100#	60"
GDU-16x66	\$2,627	105#	66"
GDU-16x72	\$2,716	110#	72"
GDU-16x78	\$2,806	115#	78"
GDU-16x84	\$2,894	120#	84"
GDU-16x90	\$2,983	125#	90"
GDU-16x96	\$3,073	130#	96"
GDU-16x102	\$3,162	135#	102"
GDU-16x108	\$3,251	140#	108"

See page 112 for LLD model Lighted Liquor Displays that are specifically designed for use with Glasterder Glass Ice Display Units.

24" DEEP GLASS ICE DISPLAY UNITS

MODEL	LIST	WEIGHT	LENGTH
GDU-24x24	\$1,718	75#	24"
GDU-24x30	\$1,783	80#	30"
GDU-24x36	\$1,849	85#	36"
GDU-24x42	\$1,914	90#	42"
GDU-24x48	\$1,978	95#	48"
GDU-24x54	\$2,044	100#	54"
GDU-24x60	\$2,686	110#	60"
GDU-24x66	\$2,775	115#	66"
GDU-24x72	\$2,865	120#	72"
GDU-24x78	\$2,954	125#	78"
GDU-24x84	\$3,043	130#	84"
GDU-24x90	\$3,133	135#	90"
GDU-24x96	\$3,222	140#	96"
GDU-24x102	\$3,311	145#	102"
GDU-24x108	\$3,401	150#	108"

PRODUCT INFORMATION

(see GDU Spec Sheet for complete details)

STANDARD FEATURES

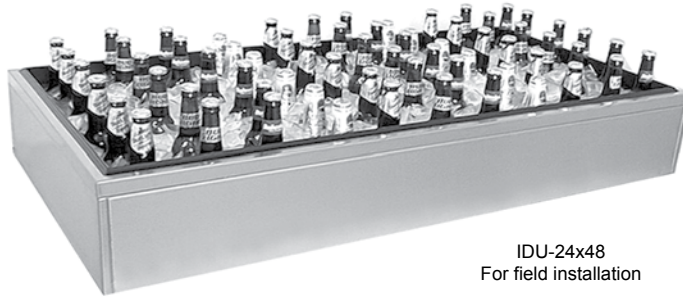
- Stainless steel foamed-in-place insulated end panels (units larger than 54" include center partition)
- Field installed units include a stainless steel insulated drain pan to mount to existing counter top
- Factory installed units include a special stainless steel insulated cooler top with built-in drain pan
- Double pane glass front and back panels with stainless steel trim
- Stainless steel perforated bottom inserts (1/2" tall)

NOTE: Glass ice display units merchandise bottled beverages and may be factory mounted to the top of most Glasterder coolers. Glass Ice Display Units ordered for field installation include a special insulated stainless steel drain pan that mounts to a countertop.

18" DEEP GLASS ICE DISPLAY UNITS

MODEL	LIST	WEIGHT	LENGTH
GDU-18x24	\$1,565	70#	24"
GDU-18x30	\$1,631	75#	30"
GDU-18x36	\$1,696	80#	36"
GDU-18x42	\$1,761	85#	42"
GDU-18x48	\$1,827	90#	48"
GDU-18x54	\$1,892	95#	54"
GDU-18x60	\$2,538	100#	60"
GDU-18x66	\$2,627	105#	66"
GDU-18x72	\$2,716	110#	72"
GDU-18x78	\$2,806	115#	78"
GDU-18x84	\$2,894	120#	84"
GDU-18x90	\$2,983	125#	90"
GDU-18x96	\$3,073	130#	96"
GDU-18x102	\$3,162	135#	102"
GDU-18x108	\$3,251	140#	108"

*NOTE: Glass Ice Display Units are manufactured to order and are not returnable



IDU-24x48
For field installation

STANDARD FEATURES

- All stainless steel construction
- PVC “Breaker Strip” around ice bins acts as thermal barrier to prevent heat transfer
- Foamed-in-place insulation
- Stainless steel front, back, and sides are standard; black vinyl-clad is optional
- 1/2” tall perforated stainless steel bottom inserts
- Available as factory installed on top of a cooler cabinet or as field installed on a countertop
- 7” high with 6” deep liner

PRODUCT INFORMATION

(see IDU Spec Sheet for complete details)

Ice display units merchandise bottled beverages and may be factory mounted to the top of most Glastender coolers.

Ice display unit may also be field installed to an existing countertop. A \$400 list deduct applies to field installed units.

12” DEEP ICE DISPLAY UNITS

<u>MODEL</u>	<u>LIST</u>	<u>WEIGHT</u>	<u>LENGTH</u>
IDU-12x24	\$1,269	35#	24”
IDU-12x30	\$1,358	40#	30”
IDU-12x36	\$1,448	45#	36”
IDU-12x42	\$1,537	50#	42”
IDU-12x48	\$1,626	55#	48”
IDU-12x54	\$1,716	60#	54”
IDU-12x60	\$1,805	65#	60”

18” DEEP ICE DISPLAY UNITS

<u>MODEL</u>	<u>LIST</u>	<u>WEIGHT</u>	<u>LENGTH</u>
IDU-18x24	\$1,433	45#	24”
IDU-18x30	\$1,559	50#	30”
IDU-18x36	\$1,685	58#	36”
IDU-18x42	\$1,810	66#	42”
IDU-18x48	\$1,937	74#	48”
IDU-18x54	\$2,062	82#	54”
IDU-18x60	\$2,187	90#	60”

24” DEEP ICE DISPLAY UNITS

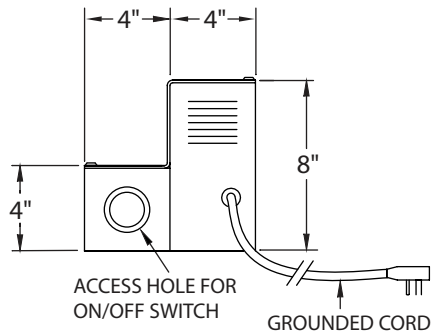
<u>MODEL</u>	<u>LIST</u>	<u>WEIGHT</u>	<u>LENGTH</u>
IDU-24x24	\$1,584	55#	24”
IDU-24x30	\$1,749	65#	30”
IDU-24x36	\$1,916	75#	36”
IDU-24x42	\$2,082	85#	42”
IDU-24x48	\$2,248	95#	48”
IDU-24x54	\$2,413	105#	54”
IDU-24x60	\$2,579	115#	60”

Bar Refrigeration

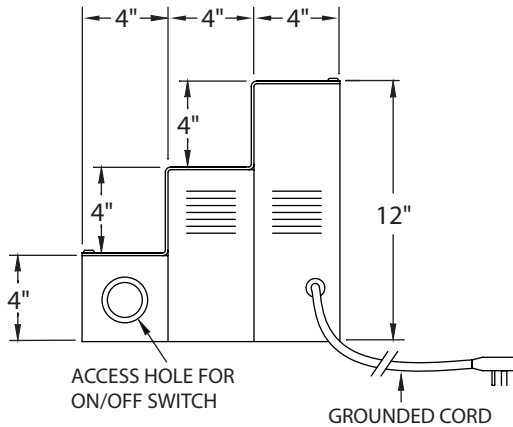
*NOTE: Ice Display Units are manufactured to order and are not returnable



LLDS-30R



SIDE VIEW - LLDS
(if power cord right)



SIDE VIEW - LLD3
(if power cord right)

PRODUCT INFORMATION

(see LLD Spec Sheet for complete details)

STANDARD FEATURES: Provides illuminated, stepped liquor bottle storage and display • Black vinyl-clad exterior construction • On/off switch and 6-foot grounded cord and plug • Includes fluorescent light bulbs • Removable top for access to light bulbs • Clear acrylic step cover

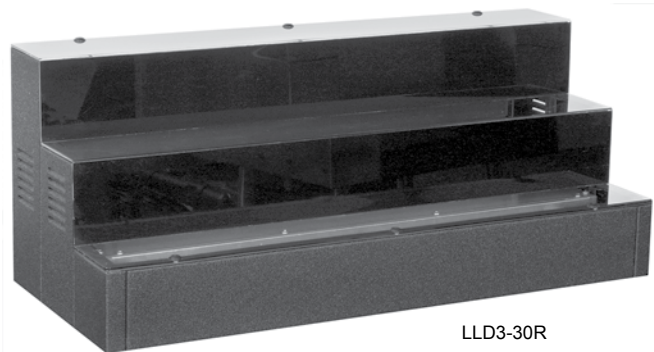
ELECTRICAL: 120V, 1 phase, 60Hz, less than 5 full load amps • Includes on/off switch and 6-foot grounded cord and plug

TWO TIER LIGHTED LIQUOR DISPLAYS

MODEL	POWER CORD	MODEL	POWER CORD	LIST	LENGTH	WGT
LLDS-24L	Left	LLDS-24R	Right	\$643	24"	25#
LLDS-30L	Left	LLDS-30R	Right	\$688	30"	29#
LLDS-36L	Left	LLDS-36R	Right	\$732	36"	33#
LLDS-42L	Left	LLDS-42R	Right	\$777	42"	37#
LLDS-48L	Left	LLDS-48R	Right	\$822	48"	41#
LLDS-54L	Left	LLDS-54R	Right	\$867	54"	45#
LLDS-60L	Left	LLDS-60R	Right	\$1,322	60"	58#
LLDS-66L	Left	LLDS-66R	Right	\$1,367	66"	62#
LLDS-72L	Left	LLDS-72R	Right	\$1,412	72"	66#
LLDS-78L	Left	LLDS-78R	Right	\$1,456	78"	70#
LLDS-84L	Left	LLDS-84R	Right	\$1,501	84"	74#
LLDS-90L	Left	LLDS-90R	Right	\$1,546	90"	78#
LLDS-96L	Left	LLDS-96R	Right	\$1,589	96"	82#
LLDS-102L	Left	LLDS-102R	Right	\$1,634	102"	86#
LLDS-108L	Left	LLDS-108R	Right	\$1,679	108"	90#

THREE TIER LIGHTED LIQUOR DISPLAYS

MODEL	POWER CORD	MODEL	POWER CORD	LIST	LENGTH	WGT
LLD3-24L	Left	LLD3-24R	Right	\$829	24"	30#
LLD3-30L	Left	LLD3-30R	Right	\$887	30"	35#
LLD3-36L	Left	LLD3-36R	Right	\$944	36"	40#
LLD3-42L	Left	LLD3-42R	Right	\$1,002	42"	44#
LLD3-48L	Left	LLD3-48R	Right	\$1,058	48"	49#
LLD3-54L	Left	LLD3-54R	Right	\$1,116	54"	54#
LLD3-60L	Left	LLD3-60R	Right	\$1,703	60"	70#
LLD3-66L	Left	LLD3-66R	Right	\$1,760	66"	74#
LLD3-72L	Left	LLD3-72R	Right	\$1,817	72"	79#
LLD3-78L	Left	LLD3-78R	Right	\$1,875	78"	84#
LLD3-84L	Left	LLD3-84R	Right	\$1,931	84"	89#
LLD3-90L	Left	LLD3-90R	Right	\$1,989	90"	94#
LLD3-96L	Left	LLD3-96R	Right	\$2,046	96"	98#
LLD3-102L	Left	LLD3-102R	Right	\$2,104	102"	103#
LLD3-108L	Left	LLD3-108R	Right	\$2,160	108"	108#



LLD3-30R

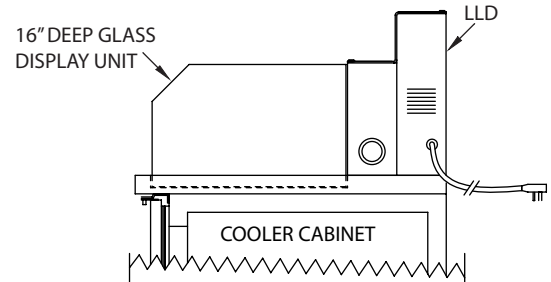
*NOTE: Lighted Liquor Displays are manufactured to order and are not returnable

Bar Refrigeration



LLD-48L shown installed with a GDU-16x48 factory mounted on cooler cabinet

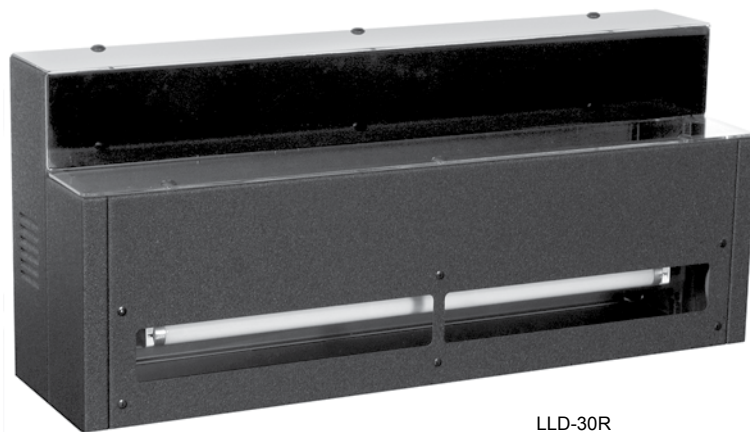
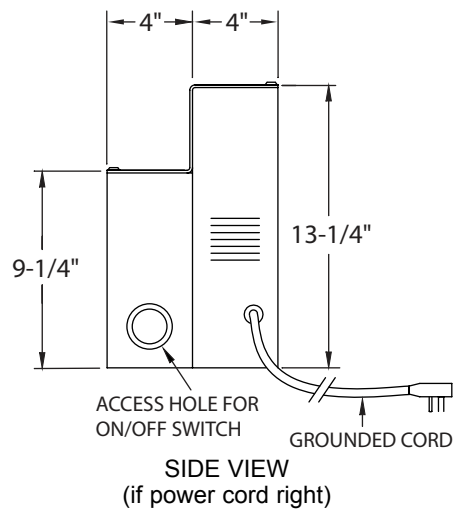
LLD model Lighted Liquor Displays are specifically designed for use with Glastender Glass Ice Display Units (see page 109). When mounted on a cooler at the factory, the 16" deep GDU models have an 8-1/4" rear deck space designed to fit the 8" deep LLD. The 9-1/4" high first step of the LLD raises the bottles above the back of the GDU. Also, the LLD has a front light channel to help illuminate the GDU. (See the side view detail.)



SIDE VIEW OF LLD
(with factory installed 16" deep glass ice display unit)

GLASS DISPLAY UNIT LIGHTED LIQUOR DISPLAYS

MODEL	POWER CORD	MODEL	POWER CORD	LIST	LENGTH	WGT
LLD-24L	Left	LLD-24R	Right	\$668	24"	25#
LLD-30L	Left	LLD-30R	Right	\$716	30"	29#
LLD-36L	Left	LLD-36R	Right	\$764	36"	33#
LLD-42L	Left	LLD-42R	Right	\$813	42"	37#
LLD-48L	Left	LLD-48R	Right	\$861	48"	41#
LLD-54L	Left	LLD-54R	Right	\$909	54"	45#
LLD-60L	Left	LLD-60R	Right	\$1,373	60"	58#
LLD-66L	Left	LLD-66R	Right	\$1,421	66"	62#
LLD-72L	Left	LLD-72R	Right	\$1,469	72"	66#
LLD-78L	Left	LLD-78R	Right	\$1,517	78"	70#
LLD-84L	Left	LLD-84R	Right	\$1,565	84"	74#
LLD-90L	Left	LLD-90R	Right	\$1,614	90"	78#
LLD-96L	Left	LLD-96R	Right	\$1,662	96"	82#
LLD-102L	Left	LLD-102R	Right	\$1,710	102"	86#
LLD-108L	Left	LLD-108R	Right	\$1,758	108"	90#



LLD-30R

PRODUCT INFORMATION

(see LLD Spec Sheet for complete details)

STANDARD FEATURES: Provides illuminated, stepped liquor bottle storage and display • Black vinyl-clad exterior construction • On/off switch and 6-foot grounded cord and plug • Includes fluorescent light bulbs • Removable top for access to light bulbs • Clear acrylic step cover • 9-1/4" high first step and a front light channel for use in conjunction with Glastender Glass Ice Display Units

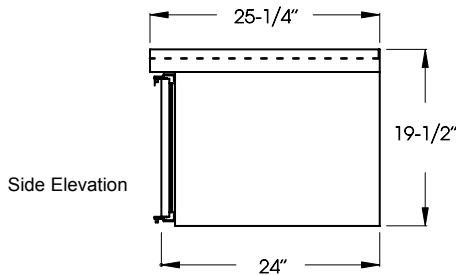
ELECTRICAL: 120V, 1 phase, 60Hz, less than 5 full load amps • Includes on/off switch and 6-foot grounded cord and plug

*NOTE: Glass Ice Display Units are manufactured to order and are not returnable

Bar Refrigeration



MS20-SS(L)
Shown with CLS-4
leg set accessory



PRODUCT INFORMATION

(see MS Spec Sheet for complete details)

- STANDARD FEATURES:** Galvanized steel interior construction • Foamed-in-place insulation for extra sturdiness • Black vinyl-clad steel exterior front and sides • Stainless steel pull tab handle • Leg sockets recessed into base • 180° swinging door(s) • Stainless steel top with 1" high back and side splashes

ONE DOOR MARGARITA MACHINE STAND

MODEL	LENGTH	DOOR FINISH	LIST	WEIGHT
MS20-BS(L)† or (R)†	20"	Black	\$1,410	110#
MS20-SS(L)† or (R)†	20"	Stainless	\$1,440	110#
MS24-BS(L)† or (R)†	24"	Black	\$1,462	115#
MS24-SS(L)† or (R)†	24"	Stainless	\$1,492	115#

†Indicate (L) Left or (R) Right door hinge.

TWO DOOR MARGARITA MACHINE STAND

MODEL	LENGTH	DOOR FINISH	LIST	WEIGHT
MS44-BS(LR)	44"	Black	\$2,583	200#
MS44-SS(LR)	44"	Stainless	\$2,643	200#
MS48-BS(LR)	48"	Black	\$2,635	210#
MS48-SS(LR)	48"	Stainless	\$2,695	210#

SET OF FOUR 6" LEGS

MODEL	LIST	WEIGHT
CLS-4	\$128	12#

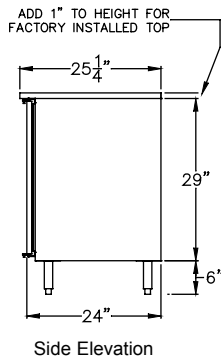
*NOTE: Margarita Machine Stands are manufactured to order and are not returnable.

Bar Refrigeration

Low Profile Dry Storage Cabinets*



LPDS24-1LL(R)



ONE DOOR LOW PROFILE DRY STORAGE CABINET

Standard List = \$1,305

Weight without top - 120# / with top = 135#

LPDS24- ()

Door Style:
B = Black vinyl clad
U = Unlaminated
L = Laminated - Add \$172
S = Stainless - Add \$30

Door Hinge Location:
(from left to right)
L = Left or R = Right

Top Style:
N = No finished top
L = Laminated - Add \$553
S = Stainless - Add \$297

ACCESSORIES

MODEL	DESCRIPTION	LIST
DH-PBU	Upgrade to brass handle	\$150
THK	Stainless pull tab w/lock - No charge	
CLS-4	6" leg, set of four	\$128
CKR-24	24" kick rail	\$75
CKR-L	Left side kick rail	\$75
CKR-R	Right side kick rail	\$75
SL/LP-L	Left side lamination	\$172
SL/LP-R	Right side lamination	\$172
SS/LP-L	Left side stainless steel	\$30
SS/LP-R	Right side stainless steel	\$30
C-4X4	Casters (set of 4), 3-3/4"	\$114

*NOTE: Low Profile Dry Storage Cabinets are manufactured to order and are not returnable.

PRODUCT INFORMATION

(see LPDS Spec Sheet for complete details)

- STANDARD FEATURES:** Galvanized steel interior construction • Foamed-in-place insulation for extra sturdiness • Black vinyl-clad steel exterior front and sides • Stainless steel die cast handle with lock • Leg sockets recessed into base • 180° swinging door



DS24-LL(R)

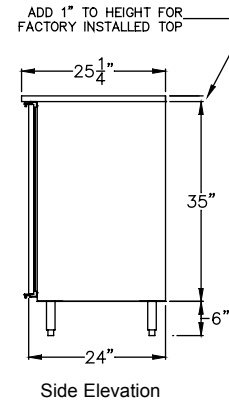
PRODUCT INFORMATION

(see Dry Storage Spec Sheet for complete details)

STANDARD FEATURES:

- Galvanized steel interior construction
- Galvanized steel back

*NOTE: DS48 and DS72 model dry storage cabinets are manufactured to order and are not returnable



DRY STORAGE CABINETS

MODEL	LIST	LENGTH	DOORS	WEIGHT
DS24	\$1,433	24"	1	140#
DS48*	\$2,736	48"	2	265#
DS72*	\$3,702	72"	3	380#

Base price only. See below for configurable options.

Select Configurable Options:

DOOR OPTIONS

NOTE: Select options for EACH Door Section

STYLE AND FINISH - SPECIFY & ADD FOR EACH DOOR

Door - Black vinyl-clad	No charge
Door - Unlaminated	No charge
Door - Stainless steel	\$30
Door - Jeweled stainless	\$150
Door - Laminated	\$172

DOOR HINGE LOCATION - SPECIFY & ADD FOR EACH DOOR

Left	No charge
Right	No charge

SHELVING

Two adjustable shelves per door included	No charge
--	-----------

DOOR HANDLE - SPECIFY & ADD FOR EACH DOOR

Polished stainless w/lock	No charge
Stainless pull tab w/lock	No charge
Polished brass w/lock	\$150



Polished stainless handle



Stainless pull tab handle

TOP STYLE

	24"	48"	72"
No finished top			No charge
Stainless top	\$297	\$357	\$454
Laminated top	\$553	\$627	\$701

LEFT SIDE FINISH

Black vinyl-clad	No charge
Stainless Steel	\$30
Laminated	\$172

RIGHT SIDE FINISH

Black vinyl-clad	No charge
Stainless Steel	\$30
Laminated	\$172

LEG AND STAINLESS STEEL KICK RAILS

NOTE: Legs are required if kick rails are ordered.

	24"	48"	72"
6" legs	\$128	\$128	\$192
Front kick rail	\$75	\$93	\$112
Left side kick rail	\$75	\$75	\$75
Right side kick rail	\$75	\$75	\$75

CASTERS

	24"	48"	72"
4" casters	\$114	\$114	\$171
2-1/2" casters	\$64	\$96	\$128

Bar Refrigeration

*NOTE: These items are manufactured to order and are not returnable



BGS-24
shown with TOP-24-S

PRODUCT INFORMATION

(see BGS and BLD Spec Sheets for complete details)

STANDARD FEATURES: Specially designed for the back bar • Stainless steel interior with black-vinyl clad exterior sides • For stainless steel exterior sides add '-S' suffix to model number • Available with stainless steel or laminated finished top • BLD features a built-in light for illuminating bottles • BLD has radius step edges for easy cleaning • BLD features PVC step covers to reduce bottle noise • BGS has radius shelf corners for easy cleaning • BGS has four shelves for maximum storage capacity

24" DEEP BACK BAR GLASS STORAGE UNITS

<u>BLACK</u>	<u>LIST</u>	<u>STAINLESS</u>	<u>LIST</u>	<u>LENGTH</u>	<u>WGT</u>
BGS-18	\$1,666	BGS-18-S	\$1,726	18"	110#
BGS-24	\$1,921	BGS-24-S	\$1,981	24"	135#
BGS-30	\$2,175	BGS-30-S	\$2,235	30"	160#

24" DEEP BACK BAR LIQUOR DISPLAYS

<u>BLACK</u>	<u>LIST</u>	<u>STAINLESS</u>	<u>LIST</u>	<u>LENGTH</u>	<u>WGT</u>
BLD-18	\$1,561	BLD-18-S	\$1,621	18"	95#
BLD-24	\$1,720	BLD-24-S	\$1,780	24"	105#
BLD-30	\$1,879	BLD-30-S	\$1,939	30"	120#
BLD-36	\$2,038	BLD-36-S	\$2,098	36"	130#
BLD-42	\$2,197	BLD-42-S	\$2,257	42"	145#
BLD-48	\$2,357	BLD-48-S	\$2,417	48"	155#



BLD-24
shown with TOP-24-S

FINISHED TOPS

<u>STAINLESS</u>	<u>LIST</u>	<u>LAMINATED</u>	<u>LIST</u>	<u>LENGTH</u>	<u>WGT</u>
TOP-18-S	\$264	TOP-18-L	\$547	18"	15#
TOP-24-S	\$297	TOP-24-L	\$553	24"	18#
TOP-30-S	\$331	TOP-30-L	\$571	30"	21#
TOP-36-S	\$364	TOP-36-L	\$590	36"	24#
TOP-42-S	\$397	TOP-42-L	\$608	42"	27#
TOP-48-S	\$430	TOP-48-L	\$627	48"	30#

STAINLESS KICK RAILS

<u>MODEL</u>	<u>LIST</u>	<u>LENGTH</u>	<u>WGT</u>
CKR-18	\$71	18"	2#
CKR-24	\$75	24"	4#
CKR-30	\$79	30"	6#
CKR-36	\$84	36"	8#
CKR-42	\$88	42"	10#
CKR-48	\$93	48"	12#

LOCKING COVERS FOR BACK BAR LIQUOR DISPLAYS

<u>STAINLESS</u>	<u>LIST</u>	<u>BLACK</u>	<u>LIST</u>	<u>LENGTH</u>	<u>WGT</u>
BLC-18-S	\$266	BLC-18	\$214	18"	18#
BLC-24-S	\$299	BLC-24	\$233	24"	20#
BLC-30-S	\$332	BLC-30	\$254	30"	25#
BLC-36-S	\$365	BLC-36	\$273	36"	30#
BLC-42-S	\$398	BLC-42	\$293	42"	35#
BLC-48-S	\$433	BLC-48	\$314	48"	40#

SET OF FOUR 6" LEGS

<u>MODEL</u>	<u>LIST</u>	<u>WEIGHT</u>
CLS-4	\$128	12#

See CS18 Spec Sheet for additional product information

FORCED AIR CROSSOVER & SHAFT ASSEMBLIES

MODEL	DESCRIPTION	LIST	WT
CROSS-RR	30" crossover tube assembly w/100 CFM blower motor from a refrigerator to another	\$816	15#
CROSS-WR	30" crossover tube assembly w/100 CFM blower motor from a walk-in cooler to a refrigerator	\$823	20#
CROSS-WT	30" crossover tube assembly w/100 CFM blower motor from a walk-in cooler to a wall mount tower	\$832	20#
SHAFT-RT	72" air shaft assembly with 100 CFM blower motor from a refrigerator to a beer tower	\$839	25#
SHAFT-WT	72" air shaft assembly with 100 CFM blower motor from a walk-in cooler to a beer tower	\$860	28#

2" CASTER SETS

MODEL	DESCRIPTION	LIST	WT
C-4X2	2-1/2"H caster, set of four for 24" front-serviced cooler	\$64	4#
C-4X2-S	2-1/2"H caster, set of four for side-serviced coolers and frosters	\$64	4#
C-5X2	2-1/2"H caster, set of five for 32" and 36" front-serviced coolers	\$78	5#
C-6X2	2-1/2"H caster, set of six for 2-door coolers	\$96	6#
C-8X2	2-1/2"H caster, set of eight for 3-door coolers	\$128	8#
C-10X2	2-1/2"H caster, set of ten for 4-door coolers	\$160	10#

4" CASTER SETS

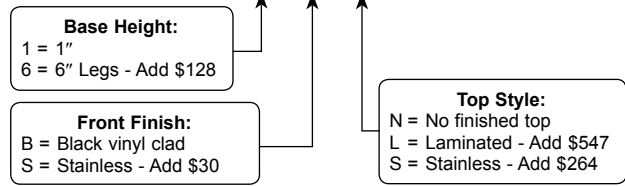
MODEL	DESCRIPTION	LIST	WT
C-4X4	4"H caster, set of four, for 2-door front-serviced coolers	\$114	4#
C-4X4-S	4"H caster, set of four, for side-serviced coolers and frosters	\$114	4#
C-5X4	4"H caster, set of five, for 32" and 36" front-serviced coolers	\$138	5#
C-6X4	4"H caster, set of six, for coolers with 3 or 4 doors	\$171	6#

18" CONDENSING UNIT STORAGE CABINET

Standard List = \$1,107

Weight without top = 85# / with top = 105#

CS18-N - N



CS18-N1-SNN

Bar Refrigeration

6" LEG SETS

MODEL	DESCRIPTION	LIST	WT
CLS-4	Set of four legs, for front-serviced and remote coolers up to 2 doors - does not include 32" and 36" front-serviced coolers (see CLS-5)	\$128	4#
CLS-4-S	Set of four legs, for side-serviced coolers and frosters	\$128	4#
CLS-5	Set of five legs, for 32" and 36" front-serviced coolers	\$160	5#
CLS-6	Set of six legs, for coolers with 3 or 4 doors	\$192	6#

PRODUCT INFORMATION

(see BLC Spec Sheet for complete details)

STANDARD FEATURES:

- Glycol connections with flared fittings for easy service access
- Durable black vinyl-clad exterior with 16 gauge galvanized steel base
- Stainless steel, foamed-in-place insulated glycol bath
- High efficiency heat exchanger minimizes glycol bath size to one gallon
- CFC-free R134a refrigerant
- Front located glycol filling port

ADDITIONAL FEATURES ON REMOTE INSTALLABLE CONTROL PANEL MODELS:

- Digital temperature control with LCD display
- Over-sized condenser coil for maximum efficiency
- Clear glycol bath cover for easy visual inspection
- Available with two recirculating pumps

Protected by one or more patents. For more information visit:
<https://www.glastender.com/patent.html>

ELECTRICAL:

BLC-1/3-E: 120V, 1 phase, 60 Hz, 12.5 full load amps, dedicated 20 amp circuit req'd

BLC-1/3: 120V, 1 phase, 60 Hz, 12.5 full load amps, dedicated 20 amp circuit req'd

BLC-1/3-2: 120V, 1 phase, 60 Hz, 18.6 full load amps, dedicated 30 amp circuit req'd

BLC-1/2: 120V, 1 phase, 60 Hz, 13.5 full load amps, dedicated 20 amp circuit req'd

BLC-1/2-2: 120V, 1 phase, 60 Hz, 19.5 full load amps, dedicated 30 amp circuit req'd

BLC-3/4: 230V, 1 phase, 60 Hz, 10.1 full load amps, dedicated 20 amp circuit req'd

BLC-3/4-2: 230V, 1 phase, 60 Hz, 12.9 full load amps, dedicated 20 amp circuit req'd

NOTE: Available with 220V, 1 phase, 50Hz electrical. See Electrical Accessories.

REFRIGERATION:

BLC-1/3-E, BLC-1/3 and BLC-1/3-2: 1/3 HP, R134a refrigerant

BLC-1/2 and BLC-1/2-2: 1/2 HP, R134a refrigerant

BLC-3/4 and BLC-3/4-2: 3/4 HP, R134a refrigerant

Beverage Dispensing

What is a remote installable control panel?

The Glastender patented beverage line chiller design houses the heat exchanger inside the condensing unit compartment. This unique feature allows the control panel with glycol bath and recirculating pump(s) to be easily installed separately from the condensing unit in a more conveniently accessible location. Simply remove the control panel from the condensing unit cabinet and mount it in the desired location. Only glycol and electrical lines need to be run between the control panel and the condensing unit cabinet.

Electrical connection between condensing unit and control panel by local electrician

Glycol line from heat exchanger to bath

Digital temperature control with LCD display

Power cord for unit

Condensing unit and heat exchanger cabinet

Glycol return from beverage tower to heat exchanger

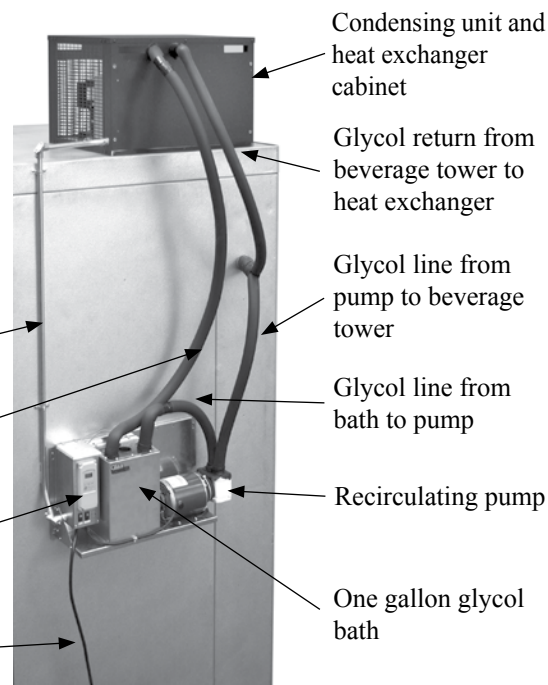
Glycol line from pump to beverage tower

Glycol line from bath to pump

Recirculating pump

One gallon glycol bath

Photo shows BLC-1/3 in an installation setting with the control panel installed remotely from the condensing unit cabinet.



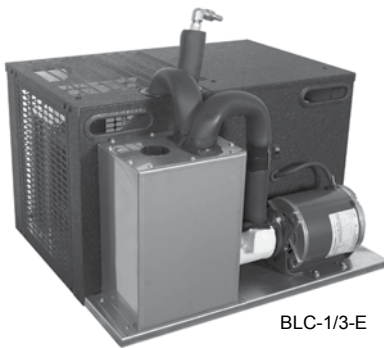
Which line chiller size should you choose? Remote beverage line chillers are sized to handle different length runs. If two separate conduits are involved, then the lengths of the two runs must be added together to determine the total run requirement. The run length is calculated as the distance between the line chiller and the beverage tower in a single pass glycol conduit, including any rise or fall.

1/3 HP BEVERAGE LINE CHILLER

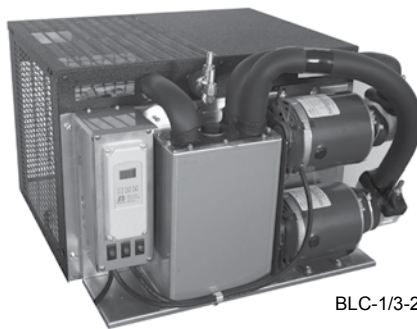
MODEL	DESCRIPTION	LIST	WT	MAX RUN
BLC-1/3-E	1/3 HP beverage line chiller, one pump	\$3,425	128#	125'

BEVERAGE LINE CHILLERS WITH REMOTE INSTALLABLE CONTROL PANEL

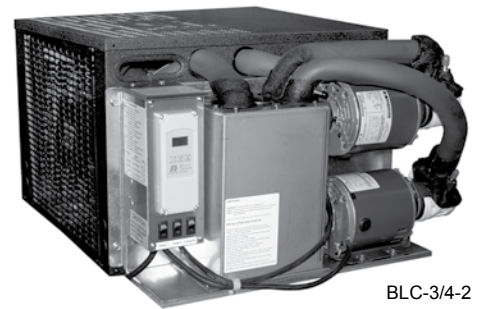
MODEL	DESCRIPTION	LIST	WT	MAX RUN
BLC-1/3	1/3 HP beverage line chiller, one pump	\$3,964	150#	125'
BLC-1/3-2	1/3 HP beverage line chiller, two pumps	\$4,892	163#	125'
BLC-1/2	1/2 HP beverage line chiller, one pump	\$4,356	153#	250'
BLC-1/2-2	1/2 HP beverage line chiller, two pumps	\$5,283	166#	250'
BLC-3/4	3/4 HP beverage line chiller, one pump	\$5,329	175#	400'
BLC-3/4-2	3/4 HP beverage line chiller, two pumps	\$6,257	193#	400'



BLC-1/3-E



BLC-1/3-2



BLC-3/4-2

Remote Beverage Line Chiller Accessories



LCS-G

(see LCS and LCR Spec Sheets for complete details)

All stands are 39" high by 25-5/16" deep. LCS-S and LCS-G stands are 26-7/8" wide. LCS-S2 and LCS-G2 stands are 32-7/8" wide to accommodate a line chiller on both the top and bottom shelf. Comes with adjustable feet for leveling. The bottom shelf is at the 8" high level. Pre-drilled mounting holes fit Glastender line chiller models. The four stands are used for all line chiller models.

LINE CHILLER STANDS

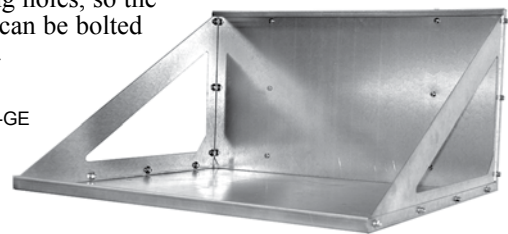
MODEL	DESCRIPTION	LIST	WT
LCS-S	Line chiller stand, stainless	\$873	70#
LCS-S2	Line chiller stand, stainless	\$945	82#
LCS-G	Line chiller stand, galvanized	\$509	70#
LCS-G2	Line chiller stand, galvanized	\$553	82#

ELECTRICAL ACCESSORIES

MODEL	DESCRIPTION	LIST
CE-220/50S	220V, 1Phase, 50 Hz electrical	\$183

A line chiller wall rack is a shelf that is mounted to a structural wall. The shelf has holes that correspond to the line chiller leg set mounting holes, so the line chiller can be bolted to the shelf.

LCR-GE



LINE CHILLER WALL RACKS

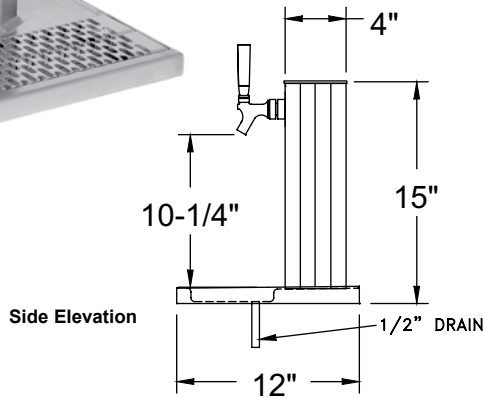
MODEL	DESCRIPTION	LIST	WT
LCR-SE	Wall rack, stainless steel (BLC-1/3-E)	\$486	33#
LCR-GE	Wall rack, galvanized (BLC-1/3-E)	\$282	33#
LCR-S	Wall rack, stainless steel (BLC-1/3, BLC-1/3-2, BLC-1/2, BLC-1/2-2, BLC-3/4, BLC-3/4-2)	\$548	38#
LCR-G	Wall rack, galvanized (BLC-1/3, BLC-1/3-2, BLC-1/2, BLC-1/2-2, BLC-3/4, BLC-3/4-2)	\$310	38#

Beverage Dispensing



CT-3-SS
(handles not included)

*NOTE: These Column Towers are manufactured to order and are not returnable



PRODUCT INFORMATION

(see CT Spec Sheet for complete details)

STANDARD FEATURES

- All stainless steel construction (brass is optional)
- Integrated surface mount drain pan with lift-out perforated inserts
- 1/4" shanks with 3/16" restriction lines
- Available in grainline stainless, mirror finish stainless, or polished brass
- Available with cold plate assembly and insulated restriction lines for glycol recirculating system (specify suffix 'R' in the model number)
- Available in 1, 2, and 3 faucet sizes
- All models include all stainless steel faucets and shanks to resist corrosion and prevent metallic leaching, making them ideal for both draft beer and wine applications
- Unique internal support system for solid mounting
- Base plate serves as template for hole cutting

COLUMN TOWERS WITH DRAIN PAN AND 72" RESTRICTION LINES

STAINLESS STEEL		MIRROR FINISH		POLISHED BRASS		FAUCETS	WGT	WIDTH	SYSTEM TYPE
MODEL	LIST	MODEL	LIST	MODEL	LIST				
CT-1-SS	\$682	CT-1-MF	\$820	CT-1-PB*	\$1,271	1	13#	14"	Air Cooled
CT-1-SSR*	\$1,262	CT-1-MFR*	\$1,431	CT-1-PBR*	\$1,700	1	21#	14"	Glycol
CT-2-SS	\$916	CT-2-MF	\$1,053	CT-2-PB*	\$1,515	2	15#	14"	Air Cooled
CT-2-SSR*	\$1,495	CT-2-MFR*	\$1,664	CT-2-PBR*	\$1,947	2	23#	14"	Glycol
CT-3-SS	\$1,149	CT-3-MF	\$1,286	CT-3-PB*	\$1,760	3	18#	14"	Air Cooled
CT-3-SSR*	\$1,729	CT-3-MFR*	\$1,899	CT-3-PBR*	\$2,192	3	26#	14"	Glycol

Beverage Dispensing



RINSER FAUCET EXTENSION

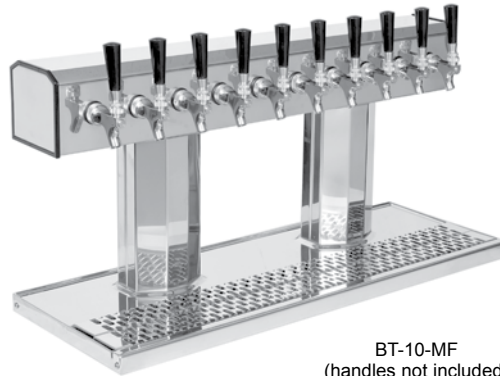
Column tower drain pans can be manufactured with rinser faucet extensions to the left or right of the drain pan. A rinser faucet extension will add 5" to the overall length of the drain pan. Add the appropriate upcharge below when placing your order.

NOTE: Rinser faucets not intended for use with towers mounted to a refrigerator due to risk of water line freeze up.

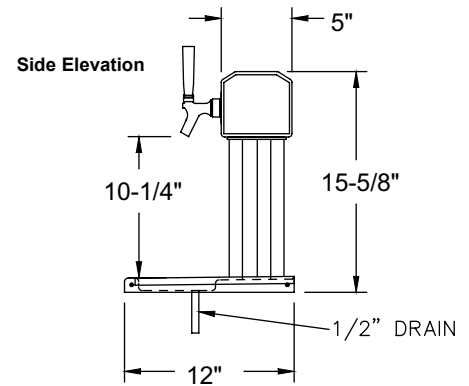
MODEL	DESCRIPTION	LIST
RFSS	Rinser faucet, stainless steel	\$408
RFMF	Rinser faucet, mirror finish	\$452
RFPB	Rinser faucet, polished brass	\$471



BT-4-SS
(handles not included)



BT-10-MF
(handles not included)



TEE TOWERS WITH DRAIN PAN 72" RESTRICTION LINES

STAINLESS STEEL		MIRROR FINISH		POLISHED BRASS		COLUMNS	FAUCETS	WGT	WIDTH	SYSTEM TYPE
MODEL	LIST	MODEL	LIST	MODEL	LIST					
BT-4-SS	\$1,401	BT-4-MF	\$1,534	BT-4-PB*	\$2,066	1	4	23#	14"	Air Cooled
BT-4-SSR	\$1,885	BT-4-MFR	\$2,001	BT-4-PBR*	\$2,521	1	4	31#	14"	Glycol
BT-5-SS	\$1,667	BT-5-MF	\$1,826	BT-5-PB*	\$2,394	1	5	27#	17"	Air Cooled
BT-5-SSR	\$2,236	BT-5-MFR	\$2,378	BT-5-PBR*	\$2,939	1	5	36#	17"	Glycol
BT-6-SS	\$1,933	BT-6-MF	\$2,118	BT-6-PB*	\$2,721	1	6	31#	20"	Air Cooled
BT-6-SSR	\$2,585	BT-6-MFR	\$2,754	BT-6-PBR*	\$3,355	1	6	41#	20"	Glycol
BT-8-SS*	\$2,571	BT-8-MF*	\$2,808	BT-8-PB*	\$3,596	2	8	39#	26"	Air Cooled
BT-8-SSR*	\$3,393	BT-8-MFR*	\$3,613	BT-8-PBR*	\$4,477	2	8	51#	26"	Glycol
BT-10-SS*	\$3,103	BT-10-MF*	\$3,392	BT-10-PB*	\$4,251	2	10	57#	32"	Air Cooled
BT-10-SSR*	\$4,093	BT-10-MFR*	\$4,365	BT-10-PBR*	\$5,131	2	10	71#	32"	Glycol
BT-12-SS*	\$3,635	BT-12-MF*	\$3,976	BT-12-PB*	\$4,905	2	12	65#	38"	Air Cooled
BT-12-SSR*	\$4,794	BT-12-MFR*	\$5,118	BT-12-PBR*	\$5,786	2	12	81#	38"	Glycol

PRODUCT INFORMATION

(see BT Spec Sheet for complete details)

STANDARD FEATURES

- All stainless steel construction (brass is optional)
- Integrated surface mount drain pan with lift-out perforated inserts
- 1/4" shanks with 3/16" restriction lines
- Available in grainline stainless, mirror finish stainless, or polished brass
- Available with cold plate assembly and insulated restriction lines for glycol recirculating system (specify suffix 'R' in the model number)

- Available in 4, 5, 6, 8, 10, and 12 faucet sizes
- All models include all stainless steel faucets and shanks to resist corrosion and prevent metallic leaching, making them ideal for both draft beer and wine applications
- Unique internal support system for solid mounting
- Base plate serves as template for hole cutting

*NOTE: These Tee Towers are manufactured to order and are not returnable

RINSER FAUCET EXTENSION

Tee tower drain pans can be manufactured with rinser faucet extensions to the left or right of the drain pan. A rinser faucet extension will add 5" to the overall length of the drain pan. Add the appropriate upcharge below when placing your order.

MODEL	DESCRIPTION	LIST
RFSS	Rinsler faucet, stainless steel	\$408
RFMF	Rinsler faucet, mirror finish	\$452
RFPB	Rinsler faucet, polished brass	\$471

NOTE: Rinsler faucets not intended for use with towers mounted to a refrigerator due to risk of water line freeze up.



Beverage Dispensing

PRODUCT INFORMATION

(see UC Spec Sheet for complete details)

STANDARD FEATURES: All stainless steel construction • 1/4" shanks with 3/16" restriction lines • Includes cold plate assembly and insulated restriction lines for glycol recirculating system • Includes all stainless steel faucets and shanks to resist corrosion and prevent metallic leaching, making them ideal for both draft beer and wine applications

NOTES:

1. Installation of the undercounter tower requires a minimum bar top overhang of 7".
2. Undercounter towers do not include a drain pan. Glastender offers a free standing underbar beer drainer. See model numbers BDA or BDB for the main line (page 53) or C-BD for the Choice line (page 73).
3. The beverage and glycol lines exit the bottom of the tower and are rigid, so the undercounter tower must be installed prior to installing the beer drainer. The 8, 10, and 12 faucet models have two sets of lines exiting the bottom of the tower.



UC-4-SSR
Shown attached to bar
(Handles not included)



UC-5-SSR
Shown installed under bar top
with BDB-18 beer drainer

STAINLESS STEEL UNDERCOUNTER TOWERS

MODEL	LIST	# OF FAUCETS	WT	WIDTH
UC-4-SSR	\$1,837	4	28#	14"
UC-5-SSR	\$2,176	5	30#	17"
UC-6-SSR	\$2,516	6	35#	20"
UC-8-SSR	\$3,296	8	50#	26"
UC-10-SSR	\$3,975	10	65#	32"
UC-12-SSR	\$4,651	12	80#	38"

PRODUCT INFORMATION

(see WT Spec Sheet for complete details)

STANDARD FEATURES: All stainless steel construction • Integrated drain pan with lift-out perforated inserts • 1/4" shanks with 3/16" restriction lines • Available with cold plate assembly and insulated restriction lines for glycol recirculating system (specify suffix 'R' in the model number) • Built-in wall mounting bracket • Removable front cover for access to shanks • Includes all stainless steel faucets and shanks to resist corrosion and prevent metallic leaching, making them ideal for both draft beer and wine applications

STAINLESS STEEL WALL MOUNT TOWERS

MODEL	LIST	# OF FAUCETS	WT	WIDTH
WT-4-SS	\$1,545	4	23#	14"
WT-4-SSR	\$2,046	4	31#	14"
WT-5-SS	\$1,838	5	27#	17"
WT-5-SSR	\$2,427	5	36#	17"
WT-6-SS	\$2,131	6	31#	20"
WT-6-SSR	\$2,812	6	41#	20"
WT-8-SS	\$2,717	8	39#	26"
WT-8-SSR	\$3,690	8	51#	26"
WT-10-SS	\$3,305	10	57#	32"
WT-10-SSR	\$4,455	10	71#	32"
WT-12-SS	\$3,892	12	65#	38"
WT-12-SSR	\$5,220	12	81#	38"

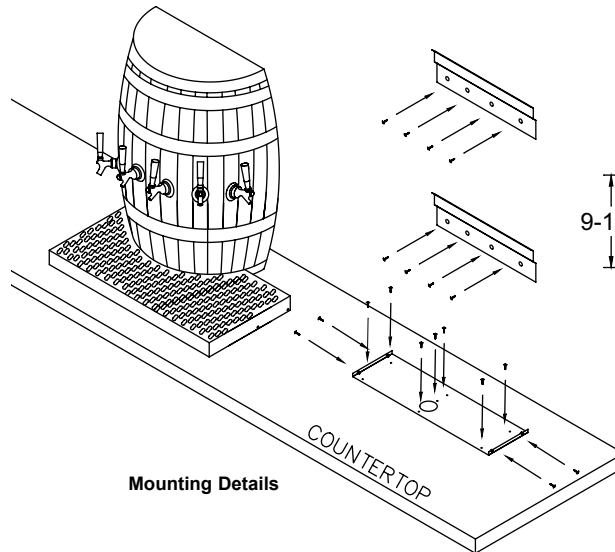


WT-6-SS
(handles not included)

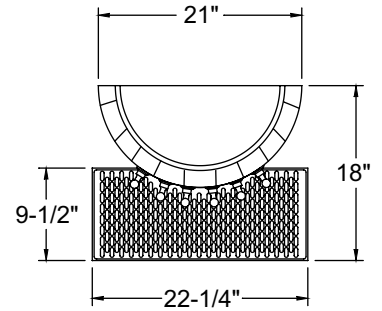
*NOTE: Undercounter and Wall Mount Towers are manufactured to order and are not returnable



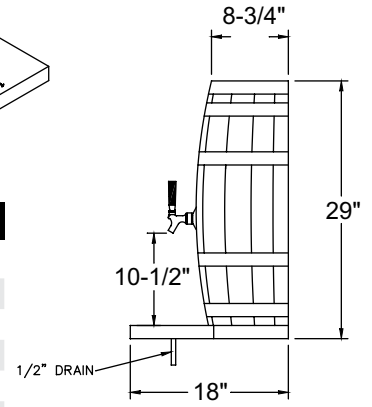
WB-6-B
(handles not included)



Mounting Details



Plan View



Side Elevation

WOOD BARREL TOWERS WITH DRAIN PAN AND 72" RESTRICTION LINES

FLAT BLACK	LIST	NATURAL WOOD	LIST	# OF FAUCETS	WGT
WB-3-B	\$2,566	WB-3-N	\$2,566	3	85#
WB-3-BR	\$3,208	WB-3-NR	\$3,208	3	85#
WB-4-B	\$2,811	WB-4-N	\$2,811	4	90#
WB-4-BR	\$3,454	WB-4-NR	\$3,454	4	90#
WB-5-B	\$3,057	WB-5-N	\$3,057	5	95#
WB-5-BR	\$3,789	WB-5-NR	\$3,789	5	95#
WB-6-B	\$3,302	WB-6-N	\$3,302	6	100#
WB-6-BR	\$4,123	WB-6-NR	\$4,123	6	100#

PRODUCT INFORMATION

(see WB Spec Sheet for complete details)

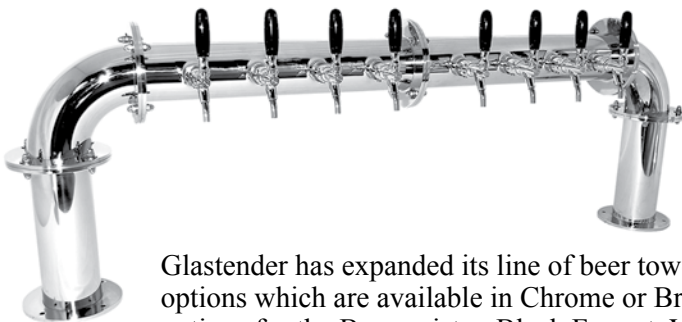
STANDARD FEATURES

- Oak wood barrel construction
- Includes separate 300 series stainless steel surface mount drain pan with lift-out perforated inserts
- 1/4" shanks with 3/16" restriction lines
- Available in flat black or natural unfinished
- Available with cold plate assembly and insulated restriction lines for glycol recirculating system (specify suffix 'R' in the model number)

- Available in three through six faucet models
- Includes wall mounting brackets
- All stainless steel faucets and shanks to resist corrosion and prevent metallic leaching, making them ideal for both draft beer and wine applications

*NOTE: Wood Barrel Towers are manufactured to order and are not returnable

Decorative Draft Beverage Towers



Lions Gate Tower



Cobra Tower



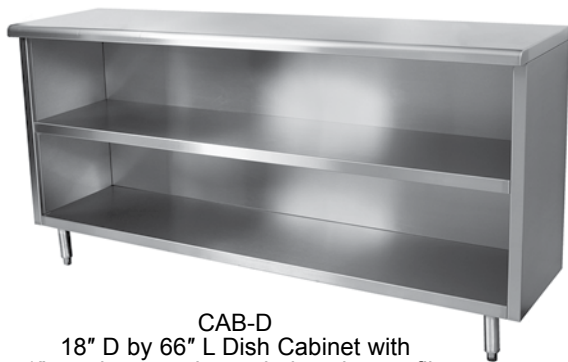
Braumeister Ellipse Tower

Glastender has expanded its line of beer towers to include several new decorative options which are available in Chrome or Brass finishes, as well as 9 different color options for the Braumeister, Black Forrest, Vienna, and Rembrandt lines. The Cobra line is also available as ice forming.

Contact Glastender for additional information including price and availability.

Beverage Dispensing

Glastender manufactures and diverse line of highly configurable kitchen fabrication products providing you with tailor-made solutions.



CAB-D
18" D by 66" L Dish Cabinet with
1" overhang and rounded nosing profile

DISH CABINETS

PRODUCT INFORMATION

(see CAB-D Spec Sheet for complete details)

All stainless steel construction including fixed mid-shelf and reinforcement channels. Available in lengths from 36" to 108" in one-half inch increments. Models 72" and longer have a center mullion.

Top options include: Depth - 15", or 18" • Front overhang - 1/4", 1", or 2" • Nosing profile - flat, or rounded

Base options include: Feet - bullet or flanged

MODULAR BEVERAGE STATIONS

PRODUCT INFORMATION

(see CAB-MBS Spec Sheet for complete details)

Modular beverage stations are configured and manufactured to your specific requirements. A complete lineup is designed by selecting from the top options and then specifying the module types and sizes to mount below the top. Stations ship complete in lengths up to 144".

Top options include: Depth - 24", 30", or 36" • Front overhang - 1/4", 1", or 2" • Nosing profile - flat, marine, or rounded • Backsplash - none, 5", or 10" • Endsplash - none, left, right, or both • Integrally welded drip trough • Electrical outlets in the backsplash

Module options include: Adjustable shelf • Drawer • Drop-in • Empty space • End wall • Fixed shelf • Glass rack • Open storage • Roll-out shelf • Sink • Urn stand



108" L by 30" D CAB-MBS
Modules left to right: drop-in with solid
apron, roll-out shelf, urn stand, and
adjustable shelf with solid door



CAB-WT
30" D by 54" L Work Table Cabinet with
1/4" overhang, flat nosing profile and
hinged doors

WORK TABLE CABINETS

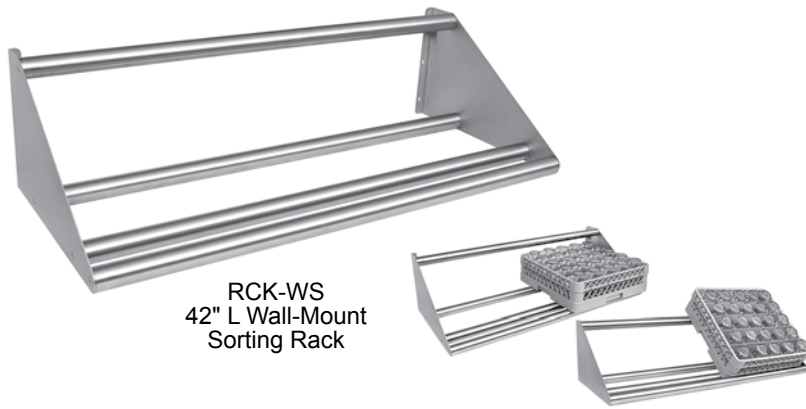
PRODUCT INFORMATION

(see CAB-WT Spec Sheet for complete details)

All stainless steel construction including reinforcement channels. Available in lengths from 18" to 108". Models 63" and longer have a center wall.

Top options include: Depth - 24", 30", or 36" • Front overhang - 1/4", 1", or 2" • Nosing profile - flat, or rounded • Backsplash - none, upturn, 1" deep, or 2-1/4" deep

Base options include: Mid-shelf - none, fixed, or adjustable (models less than 63" long) • Doors - none or hinged • Feet - bullet or flanged



RCK-WS
42" L Wall-Mount
Sorting Rack

WALL-MOUNT SORTING RACKS

PRODUCT INFORMATION

(see RCK-WS Spec Sheet for complete details)
Configurable Wall-Mount Sorting Racks deliver tailor-made solutions. All stainless steel construction.

Options include: Shelf length - 21", 42", 63", or 84"



SHF-PT
24" D by 48" L Pass-
Thru Shelf with rounded
nosing (gusset bracket
not shown)



SHF-W
12" D by 24" L Wall-
Mount Shelf with round-
ed nosing profile

PASS-THRU SHELVES

PRODUCT INFORMATION

(see SHF-PT Spec Sheet for complete details)

Brackets are field mounted and allow for variations in wall thickness. Available in 18" or 24" depths and lengths from 36" to 144" in one-half inch increments. 18" deep units ship with "L" brackets, 24" units ship with gusset brackets.

Top options include: Nosing - flat or rounded • Overshelf - with or without • Overshelf structure - standard or heater mountable • Overshelf height - from 12" to 18"

WALL-MOUNT SHELVES

PRODUCT INFORMATION

(see SHF-W Spec Sheet for complete details)

All stainless steel construction. Units available in lengths from 24" to 144" in one-half inch increments. Units 72" and longer have (3) support brackets.

Top options include: Nosing - flat or rounded • Top depth - from 10", 12", 15" or 18"



SHF-WM
18" D by 24" L Wall-Mount
Microwave Shelf



SHF-WP
12" D by 36" L Wall-Mount Shelf with Pot
Rack and flat nosing profile

WALL-MOUNT MICROWAVE SHELVES

PRODUCT INFORMATION

(see SHF-WM Spec Sheet for complete details)

All stainless steel construction. Available in depths from 18" to 24" and lengths from 24" to 36".

WALL-MOUNT SHELVES W/POT RACK

PRODUCT INFORMATION

(see SHF-WP Spec Sheet for complete details)

All stainless steel construction. Units available in lengths from 24" to 144" in one-half inch increments. Units 72" and longer have (3) support brackets. Each shelf includes (1) double pot hook per foot.

Top options include: Nosing - flat or rounded • Top depth - 10", 12", 15" or 18"



SNK-C
30" D by 102" L
Compartment Sink with
three 18" by 24" by 14"
deep sink bowls and right
and left drainboards.
Faucet not provided.

COMPARTMENT SINKS

PRODUCT INFORMATION

(see SNK-C Spec Sheet for complete details)

One, two, three and four compartment models are available with or without drainboards. All stainless steel, TIG welded construction. Available in depths from 24" to 36" and lengths from 24" to 144" in one-half inch increments.

Top options include: Number of sink bowls - 1, 2, 3, or 4
• Backsplash height - 7" to 13" • Drainboard - none, left, right, or both • Endsplash - none, left, right, or both • Sink bowl depth - 6" to 14"

Base options include: Legs - welded or knock down • Feet - bullet or flanged • Undershef - welded, adjustable, or removable



SNK-M
24" D by 24" L by 14" H Mop Sink
with 20" by 20" by 10" deep sink bowl

MOP SINKS

PRODUCT INFORMATION

(see SNK-M Spec Sheet for complete details)

All stainless steel, TIG welded construction. Sink bowl depths available from 6" to 14" in one inch increments.



STA-E
30" D by 37" L by 24" H
Equipment Stand with
adjustable undershef

EQUIPMENT STANDS

PRODUCT INFORMATION

(see STA-E Spec Sheet for complete details)

All stainless steel construction including reinforcement channels. Available in depths from 18" to 36" and lengths from 18" to 96" in one-half inch increments.

Top standards: Flat nosing and 1-1/2" upturn edge on three sides

Base Options include: Undershef - none, welded, or adjustable • Legs - welded or knock down • Feet - bullet, flanged, or casters • Height - 20" - 30"



STA-M
30" D by 30" L by 24" H
Mixer Stand with welded
undershef

MIXER STANDS

PRODUCT INFORMATION

(see STA-M Spec Sheet for complete details)

All stainless steel construction including reinforcement channels. Available in depths from 18" to 36" and lengths from 18" to 36" in one-half inch increments.

Top options include: Nosing profile - marine or inverted V

Base options options include: Undershef - none, welded, or adjustable • Legs - welded or knock down • Feet - bullet, flanged, or casters • Height - 20" - 30"



TAB-CD
30" D by 48" L straight,
right, Clean Dish Table

CLEAN DISH TABLES

PRODUCT INFORMATION

(see TAB-CD Spec Sheet for complete details)

All stainless steel, TIG welded construction.

Top options include: Side - left or right • Style - straight, island, or corner • Endsplash - none, left, or right • Tubular overshelves • Custom notching to match dishwasher model

Base options include: Undersshelf - none, welded, or adjustable • Legs - welded or knock down • Feet - bullet or flanged

SOILED DISH TABLES

PRODUCT INFORMATION

(see TAB-SD Spec Sheet for complete details)

All stainless steel, TIG welded construction.

Top options include: Side - left or right • Style - straight, island, corner, landing, or U-landing • Endsplash - none, left, or right • Tubular overshelves • Disposer cutouts • Scrap basket • Scrap block • Notching to fit dishwasher models

Base options include: Undersshelf - none, welded, or adjustable • Legs - welded or knock down • Feet - bullet or flanged



TAB-SD
30" D by 66" L straight, soiled, left dish table
with 20" by 20" by 6" deep pre-rinse sink with
removable scrap basket



TAB-W
30" D by 72" L Work Table with
welded undershelf, 15" by 20" drawer
and 15" deep tiered overshelves

WORK TABLES

PRODUCT INFORMATION

(see TAB-W Spec Sheet for complete details)

All stainless steel construction including reinforcement channels. Available in depths from 18" to 36" and lengths from 18" to 144" in one-half inch increments.

Top options include: Nosing profile - flat, marine, or rounded • Backsplash - none, upturn, 1" deep, or 2-1/4" deep • Endsplash - none, left, right, or both • Overshelf - none, single, or tiered • Integrally-welded, fabricated sinks • Drop-in cutouts

Base options include: Undersshelf - none, welded, or adjustable • Legs - welded or knock down • Feet - bullet, flanged, or casters • Drawers - none, single, or tiered

All faucets are certified low lead compliant



WH-12



WHS-12



WH-14 with optional wrist handles



WHS-14

12" WIDE

MODEL	LIST	WGT
WH-12	\$709	22#
WH-12-LF (less faucet)	\$460	20#

12" WIDE WITH SKIRT

MODEL	LIST	WGT
WHS-12	\$880	27#
WHS-12-LF (less faucet)	\$631	25#

14" WIDE

MODEL	LIST	WGT
WH-14	\$680	22#
WH-14-LF (less faucet)	\$458	20#

14" WIDE WITH SKIRT

MODEL	LIST	WGT
WHS-14	\$844	27#
WHS-14-LF (less faucet)	\$622	25#



WH-14-S



WHS-14-S



WDH-14



WH-14-ESD

14" WITH INTEGRATED SIDE SPLASHES

MODEL	LIST	WGT
WH-14-S	\$987	27#
WH-14-S-LF (less faucet)	\$765	25#

14" WITH INTEGRATED SIDE SPLASHES & SKIRT

MODEL	LIST	WGT
WHS-14-S	\$1,163	33#
WHS-14-S-LF (less faucet)	\$941	31#

14" WIDE WITH SOAP & PAPER TOWEL DISPENSERS

MODEL	LIST	WGT
WDH-14	\$1,211	37#
WDH-14-LF (less faucet)	\$989	35#

14" EXTENDED SPLASH W/ SOAP & TOWEL DISPENSER

MODEL	LIST	WGT
WH-14-ESD	\$1,086	37#
WH-14-ESD-LF (less faucet)	\$864	35#

PRODUCT INFORMATION

(see WH Spec Sheet for complete details)

STANDARD FEATURES: Manufactured with total welded construction to meet all NSF® standards • All stainless steel construction • 9-1/4" by 11-1/2" by 6" deep sink bowl • Includes wall-mounting bracket • Includes 1-1/2" IPS drain fitting • Heavy-duty faucet is standard (available less faucet by adding the suffix '-LF' to the model number) • Left and right side splashes available as an accessory • Models WH-12 and WHS-12 include a special backsplash faucet-mounting bracket for easy removal and inspection of faucet after installation • Models WH-14-S and WHS-14-S include integral left and right side splashes, featuring radius work surface corners for easy cleaning and a front lip to contain splashes • Model WDH-14 includes built-in soap and C-fold paper towel dispensers • Model WH-14-ESD includes a 1" deep recessed work surface with extra tall backsplash to contain splashes, and soap and paper towel dispenser

ACCESSORIES

MODEL	DESCRIPTION	LIST	WGT
LS15	15" deep left end splash	\$111	1#
RS15	15" deep right end splash	\$111	1#
03000512	P-trap, 17 ga. chrome plated steel	\$63	2#
03000511	Wrist handles (set of two)	\$35	2#
03000483	Wet waste sink strainer	\$42	1#
TD-C	Paper towel dispenser, C-fold	\$201	5#

WARNING: The plastic wet waste strainer included with this product can expose you to chemicals including Bisphenol A (BPA), which is known to the State of California to cause birth defects or other reproductive harm. For more information, go to www.P65Warnings.ca.gov. **Warning applies to State of California only.** Part #03000483

Kitchen Fabrication & Refrigeration

All faucets are certified low lead compliant



DI-HS12



DI-HS14

DROP-IN HAND SINKS

MODEL	LIST	LENGTH	DEPTH	WGT	FAUCET
DI-HS12	\$562	12"	17"	18#	Yes
DI-HS12-LF	\$340	12"	17"	15#	No
DI-HS14	\$562	14"	15"	18#	Yes
DI-HS14-LF	\$340	14"	15"	15#	No

PRODUCT INFORMATION

(see DI-HS, DI-I, and DI-IB Spec Sheets for complete details)

STANDARD FEATURES: All stainless steel construction • Includes four 1/4-20 x 1-1/2" studs for mounting to countertop • DI-IB24 and DI-IB30 feature special angle brackets, U-channels, and mounting bolts for easy installation)

SINK FEATURES: 9-1/4" by 11-1/2" by 6" deep sink bowl • Includes 1-1/2" IPS drain fitting

ICE BIN FEATURES: PVC plastic breaker strip around ice bin liner: creates 5/16" raised edge around liner (NSF® requirement is 3/16"), acts as thermal barrier to prevent heat transfer, and makes the cover slide easier • Sliding stainless steel cover • Foamed-in-place insulation • Galvanized steel exterior wrap • 24" and 30" models available with 10 circuit cold plate • Models without cold plates have a 1-1/2" welded tailpiece - no drain fitting to break or come loose • 10-1/2" deep liner • Manufactured with total welded construction to meet all NSF® standards

⚠ WARNING: The plastic wet waste strainer included with this product can expose you to chemicals including Bisphenol A (BPA), which is known to the State of California to cause birth defects or other reproductive harm. For more information, go to www.P65Warnings.ca.gov. Part #03000483
Warning applies to State of California only.



DI-IS24



DI-IW24

DROP-IN ICE AND SINK UNITS

MODEL	LIST	L	D	WGT	FAUCET
DI-IS24	\$1,563	24"	19"	55#	Yes
DI-IS24-LF	\$1,341	24"	19"	52#	No

DROP-IN ICE AND WATER STATION UNITS

MODEL	LIST	L	D	WGT	FAUCET
DI-IW24	\$1,708	24"	19"	55#	Yes
DI-IW24-LF	\$1,416	24"	19"	52#	No

ACCESSORIES

MODEL	DESCRIPTION	LIST	WGT
03000512	P-trap, 17 ga. chrome plated steel	\$63	2#
03000511	Wrist handles (set of two)	\$35	2#
03000483	Wet waste sink strainer	\$42	1#



DI-IB24-CP10



DI-IB18

DROP-IN ICE BINS

MODEL	LIST	LENGTH	DEPTH	COLD PLATE	WGT	ICE CAPACITY
DI-IB12	\$1,121	14"	19"	No	50#	33#
DI-IB18	\$1,254	20"	19"	No	60#	50#
DI-IB24	\$1,443	26"	19"	No	70#	71#
DI-IB30	\$1,595	32"	19"	No	80#	89#
DI-IB24-CP10	\$2,720	26"	19"	Yes	140#	71#
DI-IB30-CP10	\$2,878	32"	19"	Yes	150#	89#

Counter Cut-Out Dimensions

DI-IB12 = 17-1/2" by 12-1/2"
 DI-IB18 = 17-1/2" by 18-1/2"
 DI-IB24 = 17-1/2" by 24-1/2"
 DI-IB30 = 17-1/2" by 30-1/2"
 All other models, reference spec sheet



C1FU60 with compressor left, 4" casters, stainless doors and top

COOLERS - ONE ZONE, FRONT SERVICED, UNDERCOUNTER*

MODEL	LIST	LENGTH	DOORS	DOOR		WEIGHT	AMPS	HP	CUBIC FEET
				OPENING					CAPACITY
C1FU32*	\$4,474	32"	1	16" W		240#	3.0	1/8	4.61
C1FU36*	\$4,532	36"	1	20" W		250#	3.0	1/8	5.76
C1FU52*	\$5,811	52"	2	16" W		340#	7.0	1/4	10.25
C1FU60*	\$5,955	60"	2	20" W		350#	7.0	1/4	12.55
C1FU72*	\$7,016	72"	3	16" W		445#	7.0	1/4	15.89
C1FU84*	\$7,199	84"	3	20" W		460#	7.0	1/4	19.34
C1FU92*	\$8,388	92"	4	16" W		550#	7.0	1/4	21.53
C1FU108*	\$8,615	108"	4	20" W		570#	7.0	1/4	26.13

*NOTE: C1FU coolers are manufactured to order and are not returnable.

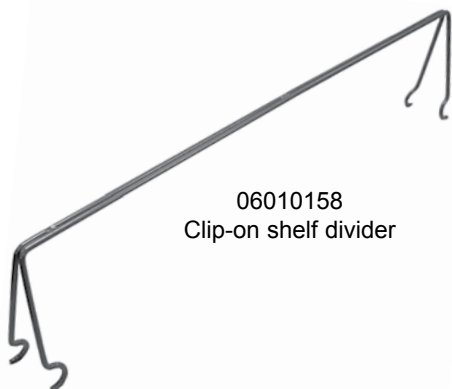
Base price only. See next page for configurable options.

PRODUCT INFORMATION

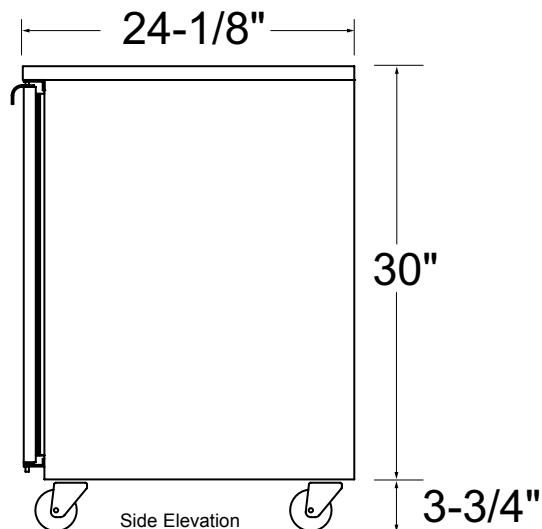
(see C1FU Spec Sheet for complete details)

STANDARD FEATURES:

- Self-contained
- All stainless steel interior construction
- Stainless steel finished top
- Two adjustable shelves per door
- Door(s) include stainless steel pull tab handle with lock
- Operating range 34°F (1°C) to 40°F (4°C)
- Listed to NSF Standard 7 for open food storage



06010158
Clip-on shelf divider



NOTE: 4" casters shown. Also available with 2-1/2" casters or 6" legs.

ACCESSORIES

MODEL	DESCRIPTION	LIST
06010158	Clip-on shelf divider	\$25

*NOTE: C1FU coolers are manufactured to order and are not returnable.

Select Configurable Options:

VOLTAGE

120V/60HZ	No charge
220V/50HZ (export voltage)	\$183

REFRIGERATION COMPARTMENT LOCATION

Left	No charge
Right	No charge

REFRIGERATION COMPARTMENT COVER FINISH

Black vinyl-clad	No charge
Unlaminated	No charge
Stainless steel	No charge
Jeweled stainless steel	\$138
Laminated	\$160

DOOR OPTIONS

NOTE: Select options for EACH Door

STYLE AND FINISH - SPECIFY & ADD FOR EACH SECTION

Door - Black vinyl-clad	No charge
Door - Unlaminated	No charge
Door - Stainless steel	No charge
Door - Jeweled stainless	\$150
Door - Laminated	\$172
Door - Glass, black vinyl-clad	\$332
Door - Glass, stainless steel	\$332
Door - Glass, jeweled stainless	\$483
Door - Glass, laminated	\$505

DOOR HINGE LOCATION - SPECIFY & ADD FOR EACH DOOR

Left	No charge
Right	No charge

LEFT SIDE FINISH

Black vinyl-clad	No charge
Stainless Steel	No charge
Laminated	\$172

RIGHT SIDE FINISH

Black vinyl-clad	No charge
Stainless Steel	No charge
Laminated	\$172

BACK FINISH

	32"	36"	52"	60"	72"	84"	92"	108"
Galvanized steel	No charge							
Stainless steel*	\$232	\$240	\$273	\$289	\$313	\$337	\$354	\$386

*NOTE: Stainless steel back option also includes stainless steel sides.

LED LIGHTING STYLE

Bright white (7,000k), standard	No charge
Warm white (3,500k)	No charge
Amber (2,700k)	No charge
Blue	No charge

LEG AND STAINLESS STEEL KICK RAILS

NOTE: Legs are required if kick rails are ordered.

	32"	36"	52"	60"	72"	84"	92"	108"
6" legs	No charge							
Front kick rail	\$81	\$84	\$96	\$103	\$112	\$121	\$127	\$139
Left side kick rail	\$75	\$75	\$75	\$75	\$75	\$75	\$75	\$75
Right side kick rail	\$75	\$75	\$75	\$75	\$75	\$75	\$75	\$75

CASTERS

	32"	36"	52"	60"	72"	84"	92"	108"
4" casters	No charge							
2-1/2" casters	No charge							



Stainless pull tab handle



C1SU24 with compressor right, 4" casters, stainless door and top

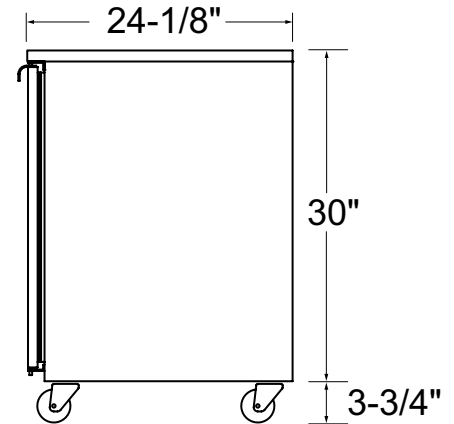
PRODUCT INFORMATION

(see C1SU Spec Sheet for complete details)

STANDARD FEATURES:

- Self-contained
- All stainless steel interior construction
- Stainless steel finished top
- Two adjustable shelves per door
- Door(s) include stainless steel pull tab handle with lock
- Operating range 34°F (1°C) to 40°F (4°C)
- Listed to NSF Standard 7 for open food storage

*NOTE: C1SU28, C1SU36, C1SU44, C1SU48, and all coolers with drawers are manufactured to order and are not returnable.



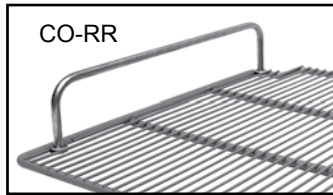
Side Elevation

NOTE: 4" casters shown. Also available with 2-1/2" casters or 6" legs.

COOLERS - ONE ZONE, SIDE SERVICED, UNDERBAR

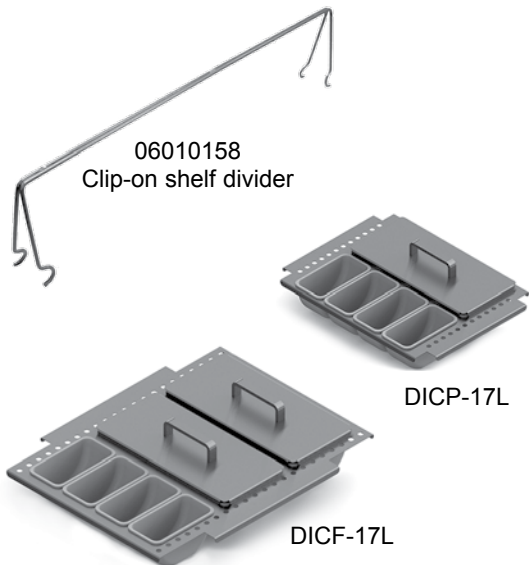
MODEL	LIST	LENGTH	DOORS	DOOR			HP	CUBIC FEET CAPACITY
				OPENING	WEIGHT	AMPS		
C1SU24	\$4,033	24"	1	17.5" W	208#	2.75	1/8	4.76
C1SU28*	\$4,190	28"	1	20" W	231#	2.75	1/8	5.32
C1SU36*	\$5,381	36"	2	12" W	292#	2.75	1/8	7.44
C1SU44*	\$5,616	44"	2	16" W	322#	2.75	1/8	9.77
C1SU48*	\$5,733	48"	2	18" W	335#	2.75	1/8	10.94

Base price only. See next page for configurable options.



CO-RR

The CO-RR shelf retention rail should be used on all shelves adjacent to drawers. (CO-RR shown installed on shelf)



06010158
Clip-on shelf divider

DICF-17L

DICF-17L

Front covers removed for illustrative purposes

ACCESSORIES

MODEL	DESCRIPTION	LIST
CO-RR	Shelf retention rail	\$42
DICF-12L	Drawer insert, condiments, full, 12" door opening, low-profile cooler, 6 cups	\$229
DICP-12L	Drawer insert, condiments, partial, 12" door opening, low-profile cooler, 4 cups	\$173
DICF-16L	Drawer insert, condiments, full, 16" door opening, low-profile cooler, 12 cups	\$337
DICP-16L	Drawer insert, condiments, partial, 16" door opening, low-profile cooler, 8 cups	\$244
DICF-17L	Drawer insert, condiments, full, 17.5" door opening, low-profile cooler, 12 cups	\$340
DICP-17L	Drawer insert, condiments, partial, 17.5" door opening, low-profile cooler, 8 cups	\$246
DICF-18L	Drawer insert, condiments, full, 18" door opening, low-profile cooler, 12 cups	\$343
DICP-18L	Drawer insert, condiments, partial, 18" door opening, low-profile cooler, 8 cups	\$248
DICF-20L	Drawer insert, condiments, full, 20" door opening, low-profile cooler, 15 cups	\$397
DICP-20L	Drawer insert, condiments, partial, 20" door opening, low-profile cooler, 10 cups	\$283
DIP-17	Drawer insert for food pans	
DIP-18	Drawer insert for food pans	
DIP-20	Drawer insert for food pans	
06010158	Clip-on shelf divider	\$25

Select Configurable Options:

VOLTAGE

120V/60HZ	No charge
220V/50HZ (export voltage)	\$183

REFRIGERATION COMPARTMENT LOCATION

Left	No charge
Right	No charge

REFRIGERATION COMPARTMENT COVER FINISH

Black vinyl-clad	No charge
Stainless steel	No charge
Jeweled stainless steel	\$138

DOOR/DRAWER OPTIONS

NOTE: Select options for EACH Door/Drawer Section

STYLE AND FINISH - SPECIFY & ADD FOR EACH SECTION

Door - Black vinyl-clad	No charge
Door - Unlaminated	No charge
Door - Stainless steel	No charge
Door - Jeweled stainless	\$150
Door - Laminated	\$172
Door - Glass, black vinyl-clad	\$332
Door - Glass, stainless steel	\$332
Door - Glass, jeweled stainless	\$483
Door - Glass, laminated	\$505
Drawers* - Black vinyl-clad	\$1,373
Drawers* - Stainless steel	\$1,373
Drawers* - Jeweled stainless	\$1,524
Drawers* - Laminated	\$1,546

*NOTE: Units with drawers are manufactured to order and are not returnable.

DOOR HINGE LOCATION - SPECIFY & ADD FOR EACH DOOR

Left	No charge
Right	No charge

LEFT SIDE FINISH

Black vinyl-clad	No charge
Stainless Steel	No charge
Laminated	\$172

RIGHT SIDE FINISH

Black vinyl-clad	No charge
Stainless Steel	No charge
Laminated	\$172

BACK FINISH

	24"	28"	36"	44"	48"
Galvanized steel	No charge				
Stainless steel*	\$216	\$224	\$240	\$256	\$265

*NOTE: Stainless steel back option also includes stainless steel sides.

LED LIGHTING STYLE

Bright white (7,000k), standard	No charge
Warm white (3,500k)	No charge
Amber (2,700k)	No charge
Blue	No charge

LEG AND STAINLESS STEEL KICK RAILS

NOTE: Legs are required if kick rails are ordered.

	24"	28"	36"	44"	48"
6" legs	No charge				
Front kick rail	\$75	\$78	\$84	\$90	\$93
Left side kick rail	\$75	\$75	\$75	\$75	\$75
Right side kick rail	\$75	\$75	\$75	\$75	\$75

CASTERS

	24"	28"	36"	44"	48"
4" casters	No charge				
2-1/2" casters	No charge				



Stainless pull tab handle

*NOTE: All coolers with drawers are manufactured to order and are not returnable.

Optional Drawers*

Glastender's refrigerated drawers include adjustable divider walls.
20" wide drawer opening shown



PRODUCT INFORMATION

(see LC Spec Sheet for complete details)

STANDARD FEATURES:

- Self-contained forced air refrigeration system for uniform cooling of product
- Automatic condensate evaporator
- Digital thermostat with automatic defrost
- All stainless steel interior construction
- Stainless steel foamed-in-place insulated door and lettuce chute
- Stainless exterior construction with galvanized back and bottom
- Removable plastic lettuce bin and divider included
- Removable condenser air inlet filter for easy cleaning
- Bracket for wall mounting
- 4" adjustable legs available
- Nine-foot grounded cord & plug provided

CAPACITY: Approx. 50 heads of lettuce (shredded)

ELECTRICAL: 120V, 1 phase, 60Hz, 2.5 full load amps. Dedicated 15 amp circuit is required.

REFRIGERATION: 1/8 HP, R290 refrigerant, 1,023 BTU/hr heat rejection

PLUMBING: Automatic condensate evaporator. No drain connection required.



LC-BIN lettuce bin with LC-BDIV bin divider

LETTUCE CRISPER

MODEL	DESCRIPTION	LIST	WGT
LC	24" Lettuce Crisper with plastic bin, stainless bin divider, & wall-mounting bracket	\$4,166	170#

ACCESSORIES

MODEL	DESCRIPTION	LIST	WGT
LC-BIN	Plastic lettuce bin (additional)	\$237	15#
LC-BDIV	Lettuce bin divider, stainless steel (additional)	\$78	5#
LCLS	4" legs with adjustable flanged feet	\$175	5#
CE-220/50S	Convert self-contained unit to 220V/50Hz electrical	\$183	N/A



CM24XS-RR

PRODUCT INFORMATION

(see CM Spec Sheet for complete details)

STANDARD FEATURES: Self-contained forced air refrigeration system for uniform cooling of product • Automatic condensate evaporator • Digital thermostat with automatic defrost • All stainless steel interior construction • Stainless steel exterior construction with galvanized steel bottom • Removable condenser air inlet filter for easy cleaning • Nine-foot grounded cord & plug provided • Available with stainless steel door or glass door with stainless steel frame • Interior LED light included • Listed to NSF standard 7 for open food storage

CAPACITY: 4.7 cu. ft.

ELECTRICAL: 120V, 1 phase, 60Hz, 2.5 full load amps. Dedicated 15 amp circuit is required

REFRIGERATION: 1/8 HP, R290 refrigerant

PLUMBING: Automatic condensate evaporator. No drain connection required.

COUNTERTOP MERCHANDISER

Standard List = \$4,471

Weight = 190#

CM24 -

Door Style:

SS = Stainless Front and Back Door

SX = Stainless Front and Glass Back Door - Add \$332

XS = Glass Front and Stainless Back Door - Add \$332

XX = Glass Front and Glass Back Door - Add \$664

Rear Door Hinge Location:

L = Left or R = Right

Front Door Hinge Location:

L = Left or R = Right

ACCESSORIES

MODEL	DESCRIPTION	LIST	WGT
LCLS	4" legs with adjustable flanged feet	\$175	5#
CE-220/50S	Convert self-contained unit to 220V/50Hz electrical	\$183	N/A

Wall-Mount Refrigerators



WMR24S-R

PRODUCT INFORMATION

(see WMR Spec Sheet for complete details)

STANDARD FEATURES: Self-contained forced air refrigeration system for uniform cooling of product • Automatic condensate evaporator • Digital thermostat with automatic defrost • All stainless steel interior construction • Stainless exterior construction with galvanized back and bottom • Available with stainless steel door or glass door with stainless steel frame • Two adjustable shelves • Removable condenser air inlet filter for easy cleaning • Bracket for wall mounting • Nine-foot grounded cord & plug provided • Interior LED light included • Listed to NSF standard 7 for open food storage

CAPACITY: 3.9 cu. ft.

ELECTRICAL: 120V, 1 phase, 60Hz, 2.5 full load amps. Dedicated 15 amp circuit is required.

REFRIGERATION: 1/8 HP, R290 refrigerant

PLUMBING: Automatic condensate evaporator. No drain connection required.

WALL-MOUNT REFRIGERATORS

MODEL	LIST	DOOR STYLES	HINGE	WGT
WMR24S-L	\$3,879	Stainless	Left	165#
WMR24S-R	\$3,879	Stainless	Right	165#
WMR24X-L	\$4,212	Glass	Left	165#
WMR24X-R	\$4,212	Glass	Right	165#

ACCESSORIES

MODEL	DESCRIPTION	LIST	WGT
LCLS	4" legs with adjustable flanged feet	\$175	5#
CE-220/50S	Convert self-contained unit to 220V/50Hz electrical	\$183	N/A

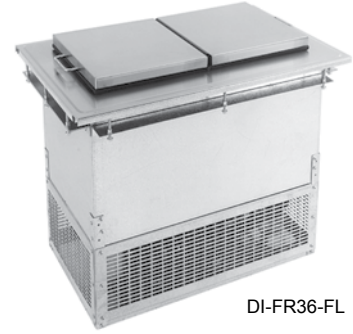
All faucets are certified low lead compliant



DI-FR-DW



DI-FR36



DI-FR36-FL

DROP-IN ICE CREAM FREEZERS

MODEL	LIST	DIPPER WELL	WGT
DI-FR	\$2,648	No	115#
DI-FR-DW	\$3,214	Yes	120#
DI-FR36	\$3,216	No	135#
DI-FR36-DW	\$3,782	Yes	150#

DROP-IN ICE CREAM FREEZERS WITH FLIP LID

MODEL	LIST	DIPPER WELL	WGT
DI-FR36-FL	\$3,293	No	135#
DI-FR36-DW-FL	\$3,860	Yes	150#

ACCESSORIES

MODEL	DESCRIPTION	LIST
CE-220/50S	Convert self-contained unit to 220V/50Hz electrical	\$183

PRODUCT INFORMATION

(see DI-FR Spec Sheet for complete details)
STANDARD FEATURES: Stainless steel work surface, interior liner, and lid with galvanized steel exterior wrap • Foamed-in-place insulation • Available with built-in seamless welded 6" diameter draining dipper well and faucet • Six-foot grounded cord and plug provided • Available sizes for one or two 3-gallon container capacity • Includes special angle brackets, U-channels, and mounting bolts for easy installation
ELECTRICAL: 120V, 1 phase, 60 Hz, 4.75 full load amps • Dedicated 15 amp circuit is recommended • Includes 6-foot grounded cord and plug
REFRIGERATION: Operating range -5°F to 10°F • 1/4 HP, R404a refrigerant
CAPACITY: DI-FR models hold one 3-gallon container • DI-FR36 models hold two 3-gallon containers

Mobile Ice Cream Freezer*

PRODUCT INFORMATION

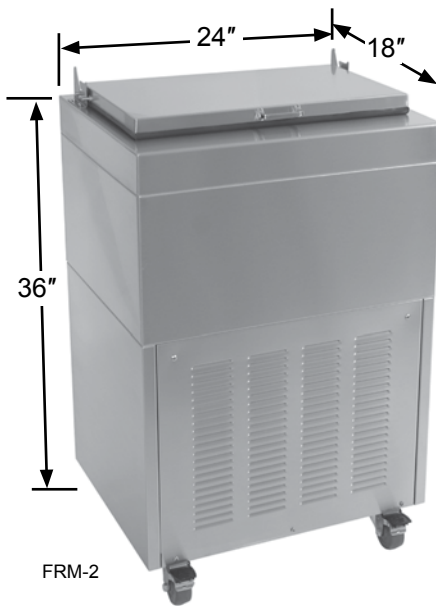
(see FRM Spec Sheet for complete details)

STANDARD FEATURES: All stainless steel exterior with 16 gauge galvanized exterior bottom • Completely integrated design - not just a cabinet with separate drop-in module • All stainless steel interior liner with radius corners for easy cleaning • One-piece, seamless top • 36" high work surface • Includes four 3" casters, with two locking casters • Six-foot grounded cord and plug provided, exits at rear • Designed to accommodate outlet behind unit and still sit flush against the wall • Holds two 3-gallon containers

CAPACITY: Two 3-gallon tubs

ELECTRICAL: 120V, 1 phase, 60Hz, 4.75 full load amps. Dedicated 15 amp circuit is required.

REFRIGERATION: 1/4 HP, R404a refrigerant



FRM-2

MOBILE ICE CREAM FREEZER

MODEL	CAPACITY	LIST	LENGTH	DEPTH	WEIGHT
FRM-2	Two 3-gallon tubs	\$4,276	24"	18"	150#

ACCESSORIES

MODEL	DESCRIPTION	LIST
CE-220/50S	Convert self-contained unit to 220V/50Hz electrical	\$183

*NOTE: Mobile Ice Cream Freezers are manufactured to order and are not returnable



MIB-36



MIB-36-H



MIB-36-ED

30" HIGH MOBILE ICE BATHS

MODEL	LENGTH	LIST	WGT
MIB-36	36"	\$3,065	170#
MIB-48	48"	\$3,416	205#

36" HIGH MOBILE ICE BATHS

MODEL	LENGTH	LIST	WGT
MIB-36-H	36"	\$3,130	180#
MIB-48-H	48"	\$3,572	215#

36" HIGH EXTRA DEEP MOBILE ICE BATHS

MODEL	LENGTH	LIST	WGT
MIB-36-ED	36"	\$3,332	200#
MIB-48-ED	48"	\$3,721	235#

MOBILE ICE BIN ACCESSORIES

MODEL	DESCRIPTION	LIST	WGT
TR	Towel Ring	\$14	1#
BO/CC-M	Bottle opener and cap catcher	\$63	3#



TR

Standard mounting for towel rings is server side left. Standard mounting for bottle opener/cap catcher is server side right. Please specify when ordering if you would like these items mounted in a different location.

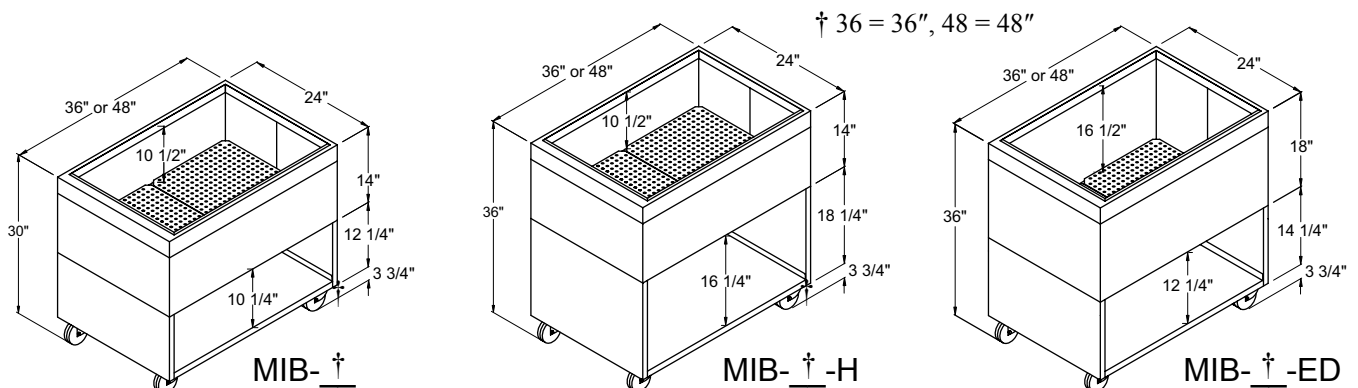
PRODUCT INFORMATION

(see MIB Spec Sheet for complete details)

STANDARD FEATURES

- Designed for iced product storage and merchandising, especially long neck bottled beer
- Foamed-in-place insulated cabinet and PVC breaker strip around liner prevents exterior condensation
- Heavy duty construction with attractive black vinyl-clad exterior that resists scratching
- Stainless steel top, liner, and perforated drain pan inserts with 1/4" radius interior corners for easy cleaning
- Built-in storage area below ice bin. Stainless steel floor has 1/4" radius corners for easy cleaning.
- No plumbing required. Includes a flexible drain line with on/off valve for draining when most convenient.
- The standard models have a 30" work height
- The '-H' models feature a taller cabinet base and a 36" work height
- The '-ED' models feature an extra deep bath and a 36" work height
- Standard and -H models liner depth 10-1/2"
- -ED model liner depth 16-1/2"
- All models available in lengths of 36" or 48"
- Optional towel ring and bottle opener/cap catcher available
- Flexible drain line with on/off valve
- 3" rubberized casters, with two locking casters on server side

*NOTE: Mobile Ice Baths are manufactured to order and are not returnable



Kitchen Fabrication & Refrigeration



The IB-14x22 as an ice pan holder (pan not included)



The IB-14x22 as a portable ice display unit

PRODUCT INFORMATION

(see IB-14x22 Spec Sheet for complete details)

STANDARD FEATURES

The IB-14X22 is an all stainless steel, foam-in-place insulated, portable ice bin that sits on a countertop • The exterior dimensions are 14" by 22" by 10" high and the interior liner opening is just large enough to hold one steam pan • The IB-14X22 also works well as a countertop ice display unit and does not need to be used with a steam table pan • Since the IB-14X22 is portable, it does not have a drain

ICE PAN HOLDER*

MODEL	LIST	WEIGHT
IB-14x22	\$1,275	35#

*NOTE: The IB-14X22 is manufactured to order and is not returnable



IBM-18x30

PRODUCT INFORMATION

(see IBM Spec Sheet for complete details)

STANDARD FEATURES

The IBM-18X30 is an all stainless steel, foam-in-place insulated, mobile ice bin that is 18" by 30" by 30" high • The interior liner is 10-1/2" deep • A drain valve is provided for draining melted ice water • The IBM-18X30 works well as an ice bath for bottled beer or wine

MOBILE ICE BIN

MODEL	LIST	WEIGHT
IBM-18x30	\$2,228	100#

Wall Cabinets

Kitchen Fabrication & Refrigeration



WCH48



WCH36

WALL CABINETS

OPEN FRONT	LIST	HINGED DOORS	LIST	LENGTH	WGT
WCO24	\$1,138	WCH24	\$1,838	24"	100#
WCO30	\$1,279	WCH30	\$2,294	30"	120#
WCO36	\$1,408	WCH36	\$2,530	36"	140#
WCO42	\$1,537	WCH42	\$2,752	42"	160#
WCO48	\$1,666	WCH48	\$2,974	48"	180#
WCO60	\$2,555	WCH60	\$4,590	60"	220#
WCO72	\$2,815	WCH72	\$5,061	72"	250#
WCO96	\$3,334	WCH96	\$5,945	96"	310#

PRODUCT INFORMATION

(see WC Spec Sheet for complete details)

STANDARD FEATURES: Includes intermediate shelf • Includes wall-mounting bracket • Available with open front or with hinged doors • Door models include door locks and positive latch catch • Door models 24" - 48" have 2 doors, 60" - 96" have 4 doors • Sloping top creates sanitary surface • Four door models ship as two units and include hardware for field assembly

Index

A	
Add-on cabinet bases.....	36
All-in-one stations.....	49-50
B	
Back bar	
Coolers*.....	75-85, 87-106, 127-130
*See Coolers for complete cooler listings	
Dry storage.....	111-112
Glass storage.....	113
Liquor display.....	113
Backsplash, glasswasher.....	4
Bar die, modular.....	52, 74
Bar, Portable.....	17-18
Bar Profile Coolers.....	(see Coolers)
Beer	
Accessories for cooler.....	86
Cooler.....	(see Coolers)
Drainer, underbar.....	51, 71
Line chiller.....	115-116
Towers.....	117-120
Towers, decorative.....	120
Beverage Stations, Modular.....	121
Blender stations	
Bolt-on blender shelves.....	14, 28, 59
Drainboard.....	27
Filler board.....	59
In-counter.....	28
Island Oasis® stand.....	46, 71
Rinser faucet.....	27
Sink.....	27, 59
Sink and rinsing faucet.....	27
Bolt-on blender shelves.....	14, 28, 59
Bottle	
Coolers.....	(see Coolers)
Opener and Cap Catcher.....	105, 134
Racks.....	25, 54
Wells.....	25, 54
Bottle Disintegration System.....	1-2
C	
Cabinets	
Add-on base.....	36
Back bar, dry storage.....	111-112
Dish.....	121
Drainboard.....	34-35, 65
POS.....	36, 70
Underbar.....	34-36, 65, 67
Wall.....	135
Work Table.....	121
Cap Catcher and Bottle Opener.....	105, 134
Casino Style Combo Ice Bin.....	22
CHOICE by Glasternder Underbar.....	53-74
Clean Dish Tables.....	124
Clip-on	
Chemical rail (glasswasher).....	6
Condiment dispenser.....	12, 16
Dry waste (cocktail station).....	12, 14, 16
Dry waste rail.....	47, 72
Shelf divider.....	75, 77, 79, 81, 83, 89, 91,
.....	93, 95, 97, 99, 101, 127, 129
Speed rails.....	14, 16, 26
Wet waste (glasswasher).....	4, 8
Cocktail stations	
Pass-thru.....	9-16
Underbar.....	49-50
Combo Ice Bins.....	21, 55
Compartment Sinks - kitchen.....	123
Condensing units and installation kits	
Remote units.....	79, 87, 91, 97, 101, 115
Condensing unit storage cabinet.....	114

Condiment dispenser	
Pass-thru station.....	12, 16, 20
Underbar.....	21, 22, 54, 55, 56
Condiment drawer insert.....	75, 81, 93, 129
Cooler miscellaneous.....	114
Coolers.....	75-85, 87-106, 127-130
Bar profile.....	75-76, 77-78, 79-80, 81-82,
.....	83-84, 87-88, 95-96, 97-98, 103
Countertop merchandiser.....	132
Draft beverage compatible.....	75-76,
.....	77-78, 79-80, 81-82, 83-84, 85
Drawers.....	75-76, 77-78, 81-82, 83-84,
.....	93-94, 129-130
Front serviced.....	75-76, 77-78, 89-90,
.....	95-96, 99-100, 127-128
Keg.....	(see Draft beverage compatible)
Lettuce crisper.....	131
Low profile.....	89-90, 91-92, 93-94,
.....	99-100, 101-102, 104
Mug froster, reach-in.....	103, 104
Mug froster, slide top.....	106
One zone.....	75-76, 79-80, 81-82,
.....	87-88, 89-90, 91-92, 93-94, 95-96,
.....	97-98, 99-100, 101-102, 103, 104,
.....	127-128, 129-130
Pass-thru.....	95-96, 97-98, 99-100, 101-102
Remote.....	79-80, 87-88, 91-92,
.....	97-98, 101-102
Shallow depth.....	87-88
Side serviced.....	81-82, 83-84, 93-94,
.....	103, 104, 129-130
Slide top.....	105
Two zone.....	77-78, 83-84
Undercounter.....	127-128, 129-130
Wall mount refrigerator.....	132
Corner drainboards.....	31-32, 62-63
Countertop Merchandiser.....	132
Covers	
Back bar liquor display, locking.....	113
Speed rails, locking.....	26, 73

D	
Decorative beer towers.....	120
Direct draw beverage towers and acc.....	86
Dish Cabinet.....	121
Dish Tables	
Clean.....	124
Soiled.....	124
Dish rack.....	6
Double speed rails.....	26, 73
Drain pans, drop-in.....	44
Draft beverage compatible coolers.....	(see Coolers)
Drainboards	
Blender stations.....	27
Cabinets.....	34-35, 65
Corners.....	31-32, 62-63
Drawer units.....	35
Glassracks.....	4, 33, 64
Half cabinets.....	35
Recessed.....	30, 60
Underbar.....	29, 61
Drainers, beer.....	51, 71
Drawer units, drainboard.....	35
Drawers, cooler.....	(see Coolers)
Drink Rails.....	44
Drop-in.....	43
Mixology, drop-in.....	42

Drop-in	
Drain pans.....	44
Drink rails.....	43
Hand sinks.....	126
Ice and sink units.....	126
Ice and water stations.....	126
Ice bins.....	126
Ice cream freezers.....	133
Mixology drink rails.....	42
Mixology wells.....	42
Rinsing faucets.....	43
Dry storage cabinets.....	111-112
Dry waste	
Chutes.....	47, 72
Clip-on, receptacle for pass-thru.....	12, 14, 16
.....	37, 39, 47, 72
Rail.....	4, 47, 67, 72
Receptacle.....	4, 47, 67, 72

E	
Equipment Stands	
Blender stations.....	27-28, 59
Island Oasis.....	46, 71
Margarita Machine.....	111
POS cabinet.....	36, 70
Stands - Kitchen.....	123
End splash.....	28, 37, 40, 125

F	
Filler boards (see also Drainboards)	
Blender station.....	59
Corner.....	63
Drainboard cabinets.....	34-35 (see note)
Drainboard drawer units.....	35 (see note)
Underbar.....	29 (see note), 60
Four compartment sinks.....	39, 69
Freezer, ice cream.....	48
Drop-in, ice cream.....	133
Mobile, ice cream.....	133
Front serviced coolers.....	(see Coolers)
Frosters (chillers)	
Reach-in.....	103, 104
Slide top.....	106

G	
Glass ice display units.....	107
Glass storage, back bar.....	113
Glass washing station.....	4
Glassracks	
Drainboard.....	4, 33, 64
Holders (glasswasher).....	6
Racks.....	6
Underbar, open.....	33, 64
Glasswashers	
Rotary.....	3-6
Rotary rack.....	7-8
Graphic wraps, portable bar.....	18

H	
Half cabinets, drainboard.....	35
Hand sinks	
Drop-in.....	126
Underbar.....	37-38
Wall-hung.....	125

Index

- I**
- Ice and sink units, drop-in126
 - Ice and water stations, drop-in126
 - Ice baths, mobile134
 - Ice bins
 - Casino Style Combo22
 - Combo21, 55
 - Dividers12, 16, 20, 21, 54, 55, 56
 - Drop-in126
 - Extra deep19, 21, 54, 55
 - Ice and sink units126
 - Ice and water stations126
 - Mobile135
 - Pass thru20, 56
 - Specialty135
 - Tubing chase20, 21, 49
 - Underbar19, 21, 22, 53, 54, 55
 - Ice cream freezer
 - Drop-in133
 - Mobile133
 - Underbar48
 - Ice display units108
 - Ice pan holder135
 - In-counter blender stations28
 - Island Oasis® stand46, 71
- J**
- Jockey box (see Ice bins)
- K**
- Keg coolers (see Coolers - Draft beverage compatible)
 - Kitchen Fabrication and Refrigeration121-135
- L**
- Large wet waste strainer39, 69
 - Lettuce crisper131
 - Lighted liquor displays109-110
 - Line chiller
 - Beer115-116
 - Stands116
 - Wall racks116
 - Liquor displays
 - Back bar113
 - Lighted109-110
 - Underbar45, 70
 - Slanted46
 - Locking covers
 - Back bar liquor display113
 - Speed rail26, 73
 - Low profile coolers (see Coolers)
 - Low profile dry storage cabinets111
- M**
- Margarita Machine Stand111
 - Microwave Shelves, Wall-Mount122
 - Mixer Stands123
 - Mixology
 - Bottle rack25
 - Drink rails, drop-in42
 - Stations41
 - Units40, 68
 - Wells, drop-in42
 - Mobile ice bath134
 - Mobile ice bin135
 - Mobile ice cream freezer133
 - Modular bar die52, 74
 - Modular Beverage Stations121
 - Mop Sinks123
- Mug frosters (chillers)**
- Reach-in103, 104
 - Slide top106
 - Multiple bowl sinks39, 69
- O**
- One zone coolers (see Coolers)
 - Overshelves, cocktail stations12, 14, 16
- P**
- POS cabinet stand36, 70
 - Paper towel dispenser, sink37, 38, 66, 125
 - Pass-thru cocktail stations9-16
 - Pass-thru coolers (see Coolers)
 - Pass-thru ice bins20, 56
 - Pass-thru shelves122
 - Portable bars17-18
 - Portable bars graphic wraps18
 - Pot Rack - Wall-Mount Shelves122
 - Power pack, beer115-116
- R**
- Rack divider, glasswasher4
 - Rack, pot122
 - Rack, sorting122
 - Reach-in mug froster103, 104
 - Recessed drainboards30, 60
 - Refrigerated Wine Drawers (see Coolers)
 - Register stand, underbar, POS36, 70
 - Regulators86
 - Remote coolers (see Coolers)
 - Rinse faucet extension (beer tower)117, 118
 - Rinser faucet
 - Blender station27
 - Drop-in43
 - Mixology stations41
 - Mixology units40, 68
 - Undercounter mount43
 - Rotary Wine Shelf75, 77, 95
- S**
- Shallow depth coolers (see Coolers)
 - Shelf divider, clip-on75, 77, 79, 81, 83, 89, 91, 93, 95, 97, 99, 101, 127, 129
 - Shelf retention rail75, 77, 79, 81, 93, 129
 - Shelves
 - Pass-Thru122
 - Wall-Mount122
 - Wall-Mount Microwave122
 - Wall-Mount with Pot Rack122
 - Side splash28, 59, 60, 61, 64, 65, 66, 67, 68, 69
 - Single speed rails26, 73
 - Sinks
 - Blender station27, 59
 - Covers39, 69
 - Cabinets4, 38, 67
 - Compartment (kitchen)123
 - Drop-in126
 - Hand37-38, 66
 - Mop123
 - Multiple39, 69
 - Single bowl37-38, 66
 - Towel ring37, 39, 59, 66, 67, 69
 - Wall-hung125
 - Wet waste4, 37, 38, 66
 - Wet waste strainer37, 59, 66, 67, 125, 126
 - Slanted liquor display46
 - Slide top coolers105
 - Slide top mug frosters106
 - Slim Jim trash receptacle47, 72
 - Sneeze guard12, 16
 - Sop dispenser, liquid37, 66
- Soda gun holders**23, 57
- Soda gun holder, undercounter mount24, 58
 - Soda manifold housings24, 58
 - Soiled Dish Tables124
 - Sorting Rack, Wall-Mount122
 - Spec sheetsspecs.glastender.com
 - Specialty ice bins135
 - Speed rails
 - Clip-on14, 16, 26
 - Double26, 73
 - Locking covers26, 73
 - Single26, 73
 - Stemware
 - Insert6
 - Rack8
- T**
- Three compartment sinks39, 69
 - Towel ring28, 37, 39, 59, 66, 67, 69
 - Towers, beer
 - Column117
 - Decorative120
 - Rinse faucet extension117, 118
 - Tee118
 - Undercounter119
 - Wall mount119
 - Wood barrel120
 - Trash receptacle
 - Gray plastic4, 37, 47, 66, 67
 - Slim Jim47, 72
 - Stainless steel37, 47, 66, 67
 - Tubing chase
 - Accessory, drainboard29
 - All-in-one49
 - Ice bin20, 21
 - Underbar51, 58
 - Two compartment sinks39, 69
 - Two zone cooler (see Coolers)
- U**
- Under cabinet (Add-on cabinet base)36
 - Underbar - Choice by Glastender53-74
 - Underbar ice cream freezer48
 - Undercounter mount soda gun holder24, 58
 - Undercounter mount rinser faucet43
 - Undercounter Refrigerator127-128, 129-131
- W**
- Wait Stations48
 - Wall Cabinet135
 - Wall-Hung Hand Sinks125
 - Wall-Mount Microwave Shelves122
 - Wall-Mount Refrigerators132
 - Wall-Mount Shelves122
 - Wall-Mount Shelves with Pot Rack122
 - Wall-Mount Sorting Rack122
 - Wet waste
 - Clip-on for glasswasher4, 8
 - Sinks4, 37, 38, 66
 - Strainer37, 59, 66, 67, 125, 126
 - Wine accessories for cooler86
 - Wine rack shelves75, 77, 79, 81, 83, 89, 91, 93, 95, 97, 99, 101
 - Wine storage
 - Refrigerated drawers (see Coolers)
 - Rotary shelf75, 77, 95
 - Work Table Cabinets121
 - Work Tables124
 - Wrist Handles37, 66, 67, 125, 126

Warranty

APPLICABLE TO ALL PRODUCTS SOLD WITHIN THE UNITED STATES AND CANADA

Glastender, Inc. warrants all products to be free of defects in material and workmanship. One-year labor and parts warranty applies to all glasswashers, self-contained refrigeration models, and BDS model bottle disintegration units. In established areas, a start up is included with GT-24 and GT-30 model glasswashers. Warranty is effective for one year from the date of installation or up to 18 months from date of factory shipment, whichever occurs sooner. Glastender, Inc. will replace any part or assembly found defective under normal use and service.

For warranty labor claims beyond 15 months from the date of factory shipment, proof of date of installation or occupancy must be provided. Authorization for labor must be obtained from Glastender within the warranty period and prior to the service being performed.

Labor warranty applies to the 50 states of the USA and Canada only.

Remote refrigeration models and beer line chillers include a one-year parts warranty only. There is no labor warranty on these products.

Field replacement parts not covered under the original warranty include a 90-day part warranty from the date of installation.

FOUR YEAR ADDITIONAL COMPRESSOR WARRANTY: Glastender will warrant to the original user the compressor for all self-contained refrigeration models for an additional four years following the regular one-year warranty period. This plan applies to the compressor only.

A completed warranty claim form **MUST** accompany all returned defective parts or assemblies. Upon request, a defective part or assembly must be returned to Glastender, Inc., Saginaw, Michigan, with all transportation and delivery charges prepaid. Warranty repairs or replacements will be shipped FOB factory in Saginaw, Michigan. Reimbursement for applicable freight charges covers ground service only.

Glastender provides in-warranty repairs during a service company's regular working days and hours. There is no provision for payment of a premium rate during "overtime" hours. When warranty service is requested during other than normal working hours, the end user will be charged the premium portion of the overtime rate.

The warranty covers substantiated travel expenses for up to 2 hours / 100 miles round trip up to a maximum of \$150. Any additional costs due to installations that require extra work, time, or travel to gain access for service are the sole responsibility of the equipment purchaser. Any exceptions to these travel and access limitations must be pre-approved by a factory representative.

The warranty does not cover door gaskets, chemical tubing, pump squeeze tubing, and/or any equipment subjected to accidents, freight damage, alterations from the original design, improper power and/or plumbing hookups, improper chemical use, general misuse, or lack of routine required maintenance as determined by Glastender, Inc. Installation, normal control adjustments, general maintenance, correcting an installation error, or service calls that reveal the unit is functioning normally will not be reimbursed under warranty.

Condenser coils on self-contained refrigeration products must be cleaned regularly. Failure to provide adequate air flow to a refrigeration unit will void the warranty.

Glastender shall not be liable for loss of use, revenue, or profit, or for any other indirect, incidental, special, or consequential damage including, but not limited to, product spoilage or loss.

This warranty is conditioned upon Glastender receiving notice of any defect subject to this warranty within sixty (60) days of its discovery by the end user or dealer. All products are warranted only for the initial place of installation. Removal of a product automatically terminates this warranty.

SECOND YEAR EXTENDED PARTS & LABOR WARRANTY:

Glastender's one-year parts and labor warranty on self-contained refrigeration units, excluding beer line chillers, can be extended to two years with the purchase of a two year parts and labor warranty. Specify part number EWR2 (\$150 net price) when ordering.

EXPORT WARRANTY - One year parts only.

EXCLUSION OF WARRANTIES

EXCEPT AS PROVIDED ABOVE, GLASTENDER MAKES NO WARRANTIES, EXPRESS OR IMPLIED, INCLUDING, BUT NOT LIMITED TO, ANY IMPLIED WARRANTY OF MERCHANTABILITY, FITNESS FOR A PARTICULAR PURPOSE OR NON-INFRINGEMENT.

LIMITATION OF REMEDIES AND DAMAGES

If Buyer makes a valid and timely claim as outlined above, Glastender's liability and Buyer's remedies under this agreement will be limited solely to labor charges authorized and/or replacement or credit, at Glastender's option, with respect to Products returned at Buyer's expense within thirty (30) days after warranty repair. GLASTENDER'S LIABILITY WILL IN NO EVENT BE GREATER IN AMOUNT THAN THE PURCHASE PRICE OF THE RETURNED PRODUCTS. GLASTENDER WILL NOT BE LIABLE UNDER ANY CIRCUMSTANCE FOR CONSEQUENTIAL OR INCIDENTAL DAMAGES, INCLUDING, BUT NOT LIMITED TO, LABOR COSTS EXCEPT AS COVERED UNDER OUR WARRANTY, LOST PROFITS OR THE LOSS OF PERISHABLE PRODUCTS RESULTING FROM THE USE OF OR INABILITY TO USE OUR PRODUCTS OR FROM OUR PRODUCTS' INCORPORATION INTO OR BECOMING A COMPONENT OF ANY OTHER PRODUCT. NEITHER PARTY WILL HAVE ANY NEGLIGENCE OR OTHER TORT LIABILITY TO THE OTHER, OR TO ANY THIRD PARTY, ARISING FROM ANY BREACH OF THIS AGREEMENT.

GOVERNING LAW - JURISDICTION

The terms and conditions of an order are to be governed and construed according to the laws of the State of Michigan, without regard to conflict of laws principles. Buyer hereby consents to the jurisdiction and venue of the courts located in Saginaw County, Michigan.

No representative, distributor, dealer, or any other person is authorized to modify this warranty. This warranty replaces all other written or verbal warranties.

NOTE: Glastender, Inc.'s policy of constant quality improvement means that prices, specifications, and policies are subject to change without notice. Questions regarding this warranty should be directed to Glastender's Warranty Administrator.

08-27-19

IMPORTANT!!

Attention Service Companies

Please review the important warranty information on this page. If you believe a service call should be covered by the factory, please call the factory for authorization between 8AM and 5PM EST, Monday through Friday.



Better or best. It's your choice.

Glastender's main underbar line is the industry's best, but it is nice to have options. We also have a second line of underbar called Choice by Glastender™. The Choice line emphasizes price, yet maintains the following superior features:



- All stainless steel fabrication
- One-piece seamless top and backsplash*
- Generous 14" underbar skirt
- Welded construction with bolt-on legs
- Integral, welded backsplash stiffeners

*NOTE: Excludes ice bins and corners.



**CHOICE**[®]
BY GLASTENDER

800.748.0423 • www.choicebyglastender.com • Price list: www.glastender.com/PDF/choice_price_list.pdf

© 2017 Glastender, Inc. All right reserved. No part of this document may be duplicated without permission. Printed in the USA.