

Onyx & Onyx Pro

Models

- Onyx
- Onyx Pro



Onyx Pro

Onyx & Onyx Pro

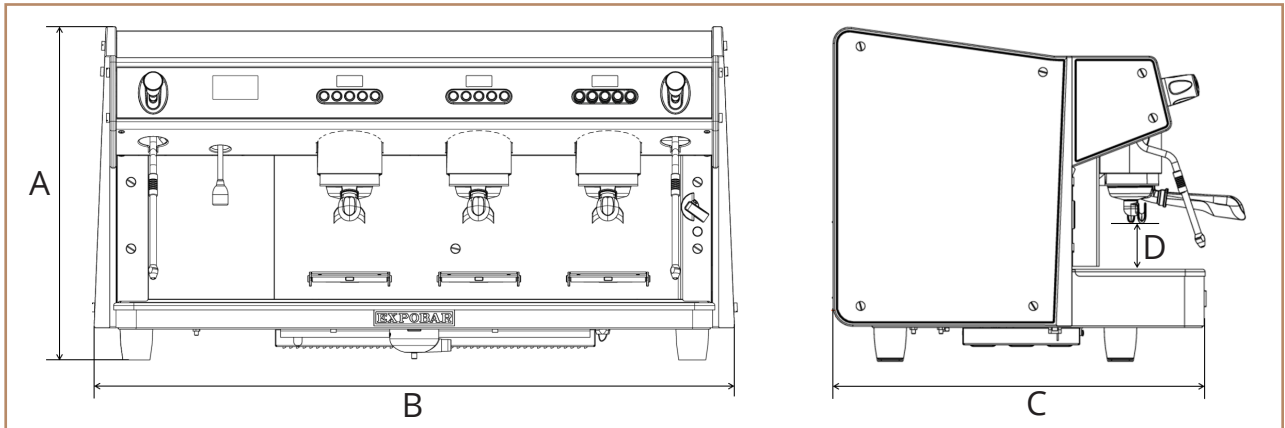
Onyx & Pro

- Anti-suction steam wand
- Steam wand with Cool Touch technology
- Volumetric dosing
- PID Technology for optimal thermal stability
- Customizable Panels
- LED Panels Backlight
- Ergonomic Portafilters
- Auto-steamer available
- Messaging and diagnostics
- Quick Release Cup Trays
- Barista Lights

Onyx Pro only

- Touch display for programming and diagnostics.
- Group temperature and timer display
- Soft pre-infusion
- Multi Boiler
- Automatic group cleaning cycle
- Ergonomic touchpad with 3 shot settings
- Programmable hot water timer
- Manual and automatic group cleaning cycles
- Auto-steamer available
- Steam lever action





FEATURES	MINI / MINI+	2 GR	3 GR	2 GR <i>Pro</i>	3 GR <i>Pro</i>
Dimensions (AxBxC,D)	21x20x23, 3	21x27x23, 3	21x39x23, 3	21x27x23, 5	21x39x23, 5
Voltage	208-240V 50-60Hz	208-240V 50-60Hz	208-240V 50-60Hz	208-240V 50-60Hz	208-240V 50-60Hz
Weight	147 lbs	154 lbs	210 lbs	154 lbs	210 lbs
Receptacle	NEMA L6-20R	NEMA L6-20R	NEMA L6-30R	NEMA L6-20R	NEMA L6-30R
Element	2800W	2800W	6000W	2800W	6000W
Amp Service Required	20A	20A	30A	20A	30A
PID		Yes	Yes	Yes	Yes
Steam Boiler Capacity	6L	11.5L	17.5L	11.5L	17.5L
Espresso Boilers Capacity				1.5L per group	1.5L per group
Group Heads	2	2	3	2	3
Programmable pre-infusion				Yes	Yes
Auto-backflush	Yes	Yes	Yes	Yes	Yes
Flow Pulse Control	Yes	Yes	Yes	Yes	Yes
Cup Shelf				Yes	Yes
Steam Arms	2	2	2	2	2
Steam Lever				Yes	Yes
Digital Display		Yes	Yes	Yes	Yes

WATER REQUIREMENTS

WATER CONNECTION	3/8" Female Thread
DRAIN	Required
WATER QUALITY:	
TDS	3-7 gpg
TOTAL HARDNESS	3-7 gpg
INCOMING PRESSURE	80 PSI

Onyx & Onyx Pro

Welbilt reserves the right to make changes to the design or specifications without prior notice.