

RackStar® 44

Project _____
 Item _____
 Quantity _____
 CSI Section 11400
 Approval _____
 Date _____

RackStar® 44

Models

RackStar 44



Standard Features

- Adjustable Rinse System
- Rainbow Rinse™ with arched rinse arm design
- 19-3/4" (502 mm) clearance
- WISR® Cleaning System
- Double-wall insulated doors retain heat, keeping wash water hot & generating less heat in the dishroom
- Self-cleaning wash arms
- Fully automatic, including auto-fill
- Adjustable vent cowl collars
- Exclusive EnergyGuard™ controls
- Self-draining stainless steel wash pump
- Digital LED control panel
- Strike plate table limit switch
- Large front access for ease of maintenance
- Stainless steel strainer pans
- Splash shields
- Stainless steel frame and legs
- Exhaust vent fan control
- 15kW wash tank heater
- Front dress panel
- Adjustable bullet feet

Mandatory Specs

Specify:

- Electric
 Steam

Specify Voltage _____

Specify Sanitizing Method:

- High Temperature
 Chemical Sanitizing

Specify Direction of Operation:

- Left to Right
 Right to Left

Options

- Higher than Standard Chamber Height
 Onboard Booster
 40° F (22.2° C) Rise
 70° F (38.9° C) Rise
 Single Point Connection with Onboard Booster
 Steam Booster Heater
 23" (584 mm) Unhooded Side Loader
 30" (762 mm) Unhooded Side Loader
 1/2" Pressure Regulator
 Flanged Feet
 Prison Package

Accessories

- 36-Compartment Rack
 4-1/8" tall (104 mm)
 5 - 5/8" tall (143 mm)
 7" tall (178 mm)
 Combination Rack
 Peg Rack
 Sheet Pan Rack
 Drain Quench System
 Scaltrol
 Water Hammer Arrestor

Specifications

Uses 0.35 gallons of water (1.32 liters) per rack in Econo Rinse mode

Uses 0.52 gallons of water (1.97 liters) per rack in Turbo Rinse mode

Cleans 223 racks per hour

Durable stainless steel construction



Intertek



RackStar® 44

Left to Right

LEGEND

- A - Electrical Connection
- B - Main Water Inlet
(1/2" NPT, 110 °F MIN (18 kW Booster),
140 °F MIN (12 kW Booster), or 180 °F MIN
(No Booster or Supplied from Steam Booster))
- C - Drain Connection
(1 1/2" NPT)
- D - Vent Connections
(Including Dampers)
- E - Steam Connection
(3/4" NPT)

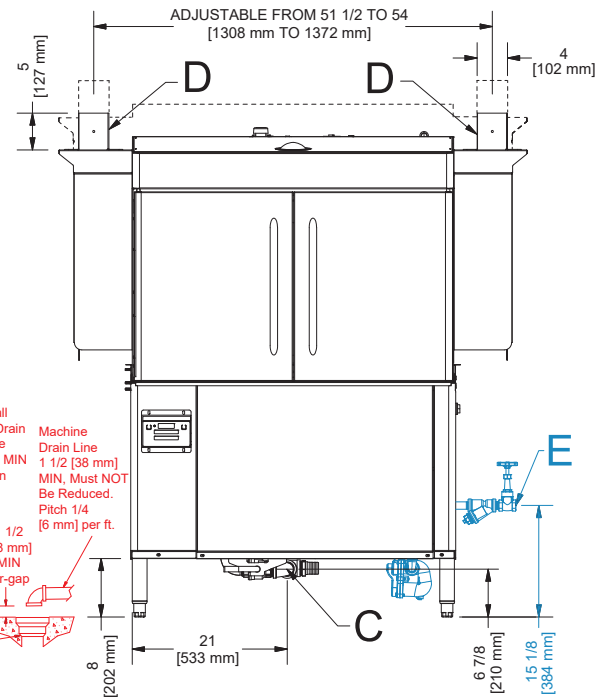
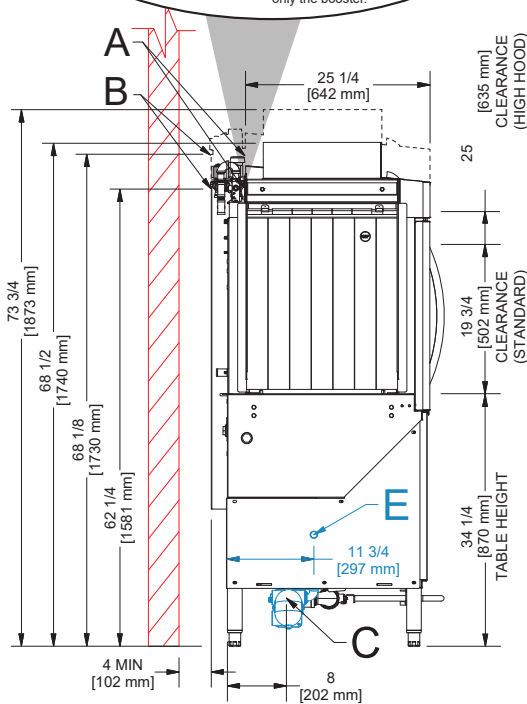
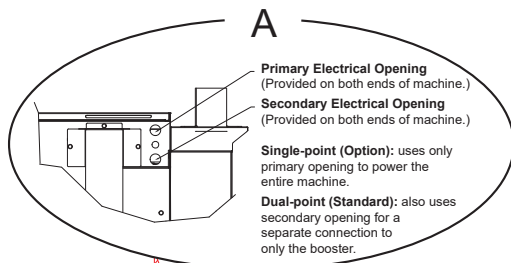
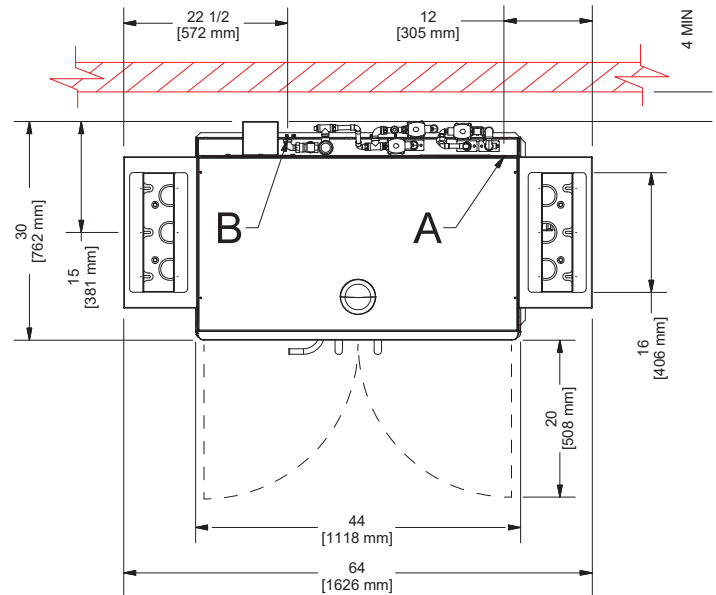
- Open Door

----- - High Hood Option

All dimensions from the floor can be increased
1 3/4" using the machine's adjustable feet.

Items in red are not supplied with the machine.

Items in blue are for the Steam option.



Must Install
Machine Drain
Line above
Floor Drain
or Sink

Machine
Drain Line
1 1/2 (38 mm)
MIN, Must NOT
Be Reduced.
Pitch 1/4
[6 mm] per ft.

1 1/2
[38 mm]
MIN
Air-gap

RECOMMENDED TABLE FABRICATION

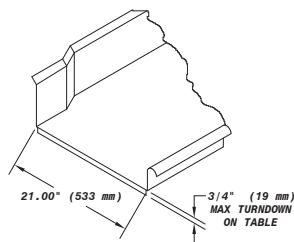
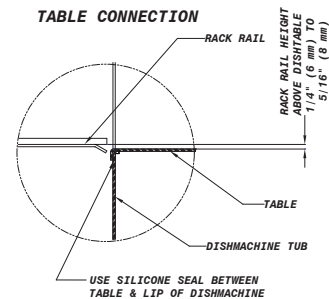


TABLE CONNECTION



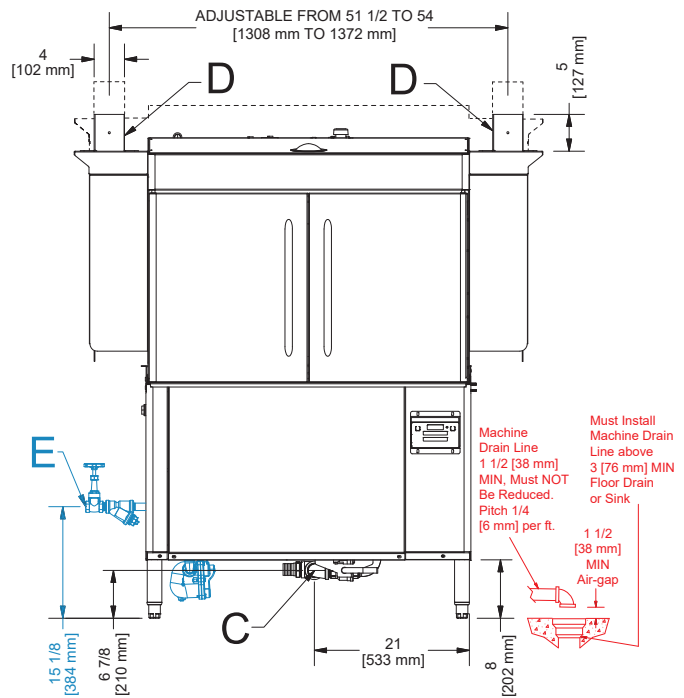
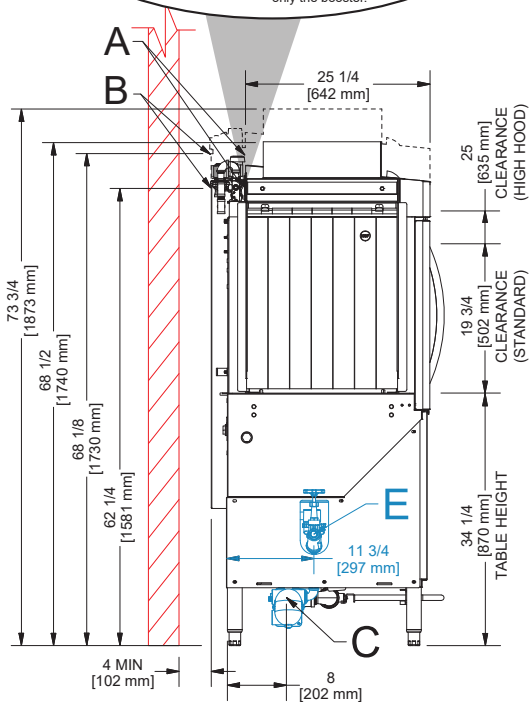
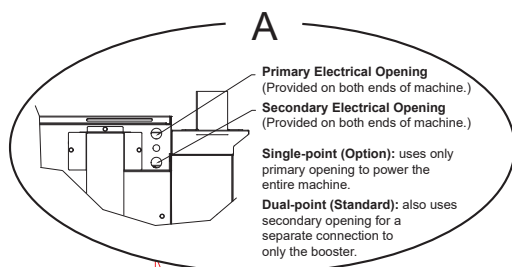
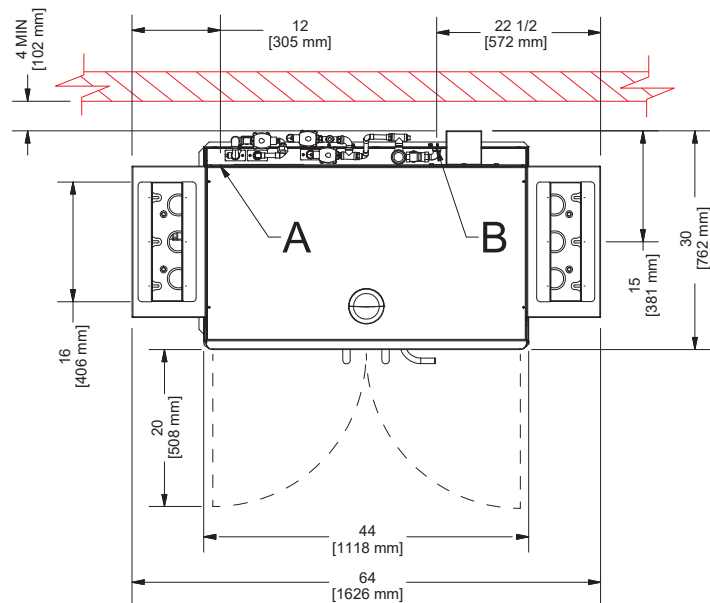
LEGEND

- A - Electrical Connection
 - B - Main Water Inlet
(1/2" NPT, 110 °F MIN (18 kW Booster),
140 °F MIN (12 kW Booster), or 180 °F MIN
(No Booster or Supplied from Steam Booster))
 - C - Drain Connection
(1 1/2" NPT)
 - D - Vent Connections
(Including Dampers)
 - E - Steam Connection
(3/4" NPT)
- Open Door
- High Hood Option

All-dimensions from the floor can be increased 1 3/4" using the machine's adjustable feet.

Items in red are not supplied with the machine.

Items in blue are for the Steam option.



RECOMMENDED TABLE FABRICATION

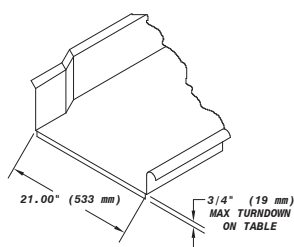
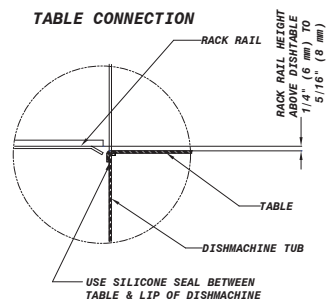


TABLE CONNECTION



MODEL NO.	MACHINE DIMENSIONS				DRAIN HEIGHT	SHIPPING INFORMATION					
	HEIGHT	LENGTH BETWEEN DISHTABLES	DEPTH	DEPTH WITH DOORS OPEN		WEIGHT	CLASS	CUBE	HEIGHT	WIDTH	DEPTH
RackStar 44	64-1/2" (1632 mm)	44" (1118 mm)	30" (762 mm)	50" (1270 mm)	6-7/8" (210 mm)	802 lbs (364 kg)	150	131.94 cu. ft.	75" (1905 mm)	76" (1931 mm)	40" (1016 mm)
RackStar 44 Tall Chamber	73-3/4" (1874 mm)	44" (1118 mm)	30" (762 mm)	50" (1270 mm)	6-7/8" (210 mm)	812 lbs (369 kg)	150	131.94 cu. ft.	75" (1905 mm)	76" (1931 mm)	40" (1016 mm)

OPERATING CAPACITY			ELECTRICAL REQUIREMENTS - SINGLE POINT CONNECTION			
	High-Temperature	Chemical Sanitizing	WITH 18kW/70° RISE ONBOARD BOOSTER			
Racks per Hour	223	223	Power Supply	Total Load	Minimum Circuit Ampacity	Maximum Overcurrent Protection
Dishes per Hour	5,575	5,575	208/60/3	99.8 A	102.1 A	110 A
Glasses per Hour	8,028	8,028	230/60/3	87.6 A	89.7 A	95 A
			460/60/3	44.0 A	45.1 A	50 A
OPERATING TEMPERATURES			WITH 12kW/40° RISE ONBOARD BOOSTER			
	High-Temperature	Chemical Sanitizing	Power Supply	Total Load	Minimum Circuit Ampacity	Maximum Overcurrent Protection
Wash (minimum)	160° F (71° C)	120° F (49° C)	208/60/3	82.5 A	87.5 A	95 A
Rinse (minimum)	180° F (82° C)	120° F (49° C)	230/60/3	73.2 A	75.3 A	80 A
			460/60/3	36.7 A	37.8 A	40 A
WATER REQUIREMENTS			WITH NO BOOSTER			
Inlet Temperature (minimum)			Power Supply	Total Load	Minimum Circuit Ampacity	Maximum Overcurrent Protection
With 40° F (22.2° C) Rise Booster Heater	140° F (60° C)		208/60/3	51.9 A	54.2 A	60 A
With 70° F (38.9° C) Rise Booster Heater	110° F (43° C)		230/60/3	44.3 A	46.4 A	55 A
Gallons per Hour (Econo Rinse / Turbo Rinse)	78 gal (295 L) / 116 gal (239.1 L)		460/60/3	22.3 A	23.4 A	25 A
Gallons per Rack (Econo Rinse / Turbo Rinse)	0.35 gal (1.3 L) / 0.52 gal (1.97 L)		STEAM TANK HEAT			
Waterline Size IPS (minimum)	1/2"		Power Supply	Total Load	Minimum Circuit Ampacity	Maximum Overcurrent Protection
Drainline Size IPS (minimum)	1-1/2"		208/60/3	10.3 A	12.6 A	20 A
Flow Pressure (PSI)	15		230/60/3	9.7 A	11.9 A	20 A
Flow Rate GPM (minimum)	1.30 (4.9 LPM)		460/60/3	5.0 A	6.1 A	15 A
Wash Tank Capacity	25 gal (95 L)		ELECTRICAL REQUIREMENTS - DUAL POINT CONNECTION			
WASH PUMP			WITH 70° RISE ONBOARD BOOSTER			
Wash Pump Motor	3 hp		Power Supply	Total Load	Minimum Circuit Ampacity	Maximum Overcurrent Protection
Wash Pump Capacity	270 GPM (1022 LPM)		208/60/3 - Machine	51.9 A	54.2 A	60 A
			208/60/3 - 18kW Booster	47.9 A	49.2 A	55 A
			230/60/3 - Machine	44.3 A	46.4 A	50 A
			230/60/3 - 18kW Booster	43.3 A	44.6 A	50 A
			460/60/3 - Machine	22.3 A	23.4 A	25 A
			460/60/3 - 18kW Booster	21.7 A	23.0 A	25 A
CONVEYOR			WITH 40° RISE ONBOARD BOOSTER			
Conveyor Motor	1/4 hp		Power Supply	Total Load	Minimum Circuit Ampacity	Maximum Overcurrent Protection
Conveyor Speed (feet per minute)	6.07 FPM (1.85 MPM)		208/60/3 - Machine	51.9 A	54.2 A	60 A
			208/60/3 - 12kW Booster	33.3 A	34.6 A	40 A
			230/60/3 - Machine	44.3 A	46.4 A	50 A
			230/60/3 - 12kW Booster	28.9 A	30.2 A	35 A
			460/60/3 - Machine	22.3 A	23.4 A	25 A
			460/60/3 - 12kW Booster	14.4 A	15.7 A	20 A
VENTING REQUIREMENTS						
Input End	200 CFM					
Output End	200 CFM					
Total CFM	400 CFM					
STEAM COIL TANK HEAT (STEAM MODELS ONLY)						
Steam Connection IPS	3/4"					
Steam Flow Pressure (PSIG)	10-30					
Consumption @ 15 PSIG (lbs/hr)	60					

HOW TO SPECIFY: RackStar 44

Jackson WWS, Inc.

Shipping Address: 6209 North U.S. Highway 25E, Gray, KY 40734

Mailing Address: P.O. Box 1060, Barbourville, KY 40906

Telephone: 888-800-5672 • Fax: 606-523-1799

Email: info@jacksonwws.com

07610-004-34-33 [04/14/2020]

www.jacksonwws.com

We reserve the right to change specifications in this bulletin without incurring any obligation for equipment previously or subsequently sold.